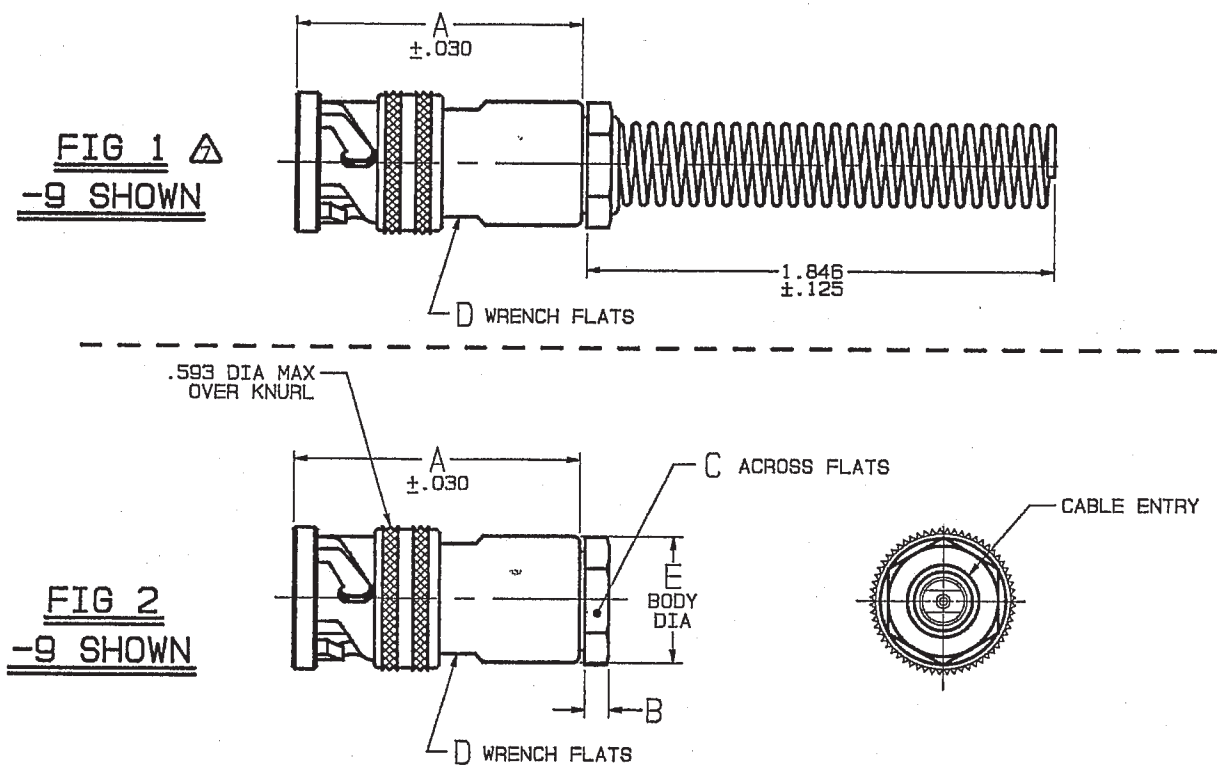


DISK # K6 DWG SIZE C DATA CONTAINED IN THIS DOCUMENT IS PROPRIETARY TO TROMPETER ELECTRONICS INC. AND SHALL NOT BE DISCLOSED, COPIED OR USED FOR PROCUREMENT OR MANUFACTURE WITHOUT EXPRESS WRITTEN PERMISSION.

| REVISIONS | | | 310-0006 | | SH 1 |
|-----------|------|--|----------|----------|--------|
| REV | EO | DESCRIPTION | DWN | APPROVED | DATE |
| M | 9322 | -7, -23, -24A, -25A, -26, -32, -33, -42, -43, -56, -57, -60, -64; ASSEMBLE PER BLOCK WAS TAI-104; AND GENERAL UPDATE | DKC | B.M. | 6/8/91 |

| DASH NO | CABLES ACCOMMODATED | A DIM | B DIM | C FLATS | D FLATS | E DIA | ASSEMBLE PER |
|---------|--|-------|-------|---------|---------|-------|--------------|
| -7 | TRC-50-2 TRC-75-2 | 1.135 | .096 | .438 | .438 | .500 | TAI-189 |
| -8 | 8227, BELDEN | 1.716 | .130 | .625 | .688 | .750 | TAI-103 |
| -9 | TWC-78-2 TWC-124-2 | 1.135 | .096 | .438 | .438 | .500 | TAI-102 |
| -A9 | BL782, TIMES BL982, TIMES BL1242, TIMES | | | △ | | | |
| -10 | RG-22 754E, AT&T | | | | | | |
| -11 | 760A, AT&T | | | | | | |
| -12 | 16 PEVL, AT&T V1-AL, GENERAL | 1.716 | .130 | .625 | .688 | .750 | TAI-128 |
| -13 | TRF-59, TIMES | | | | | | TAI-129 |
| -13A | 8232, BELDEN | | | | | | TAI-165 |
| -14 | 8233, BELDEN | | | | | | TAI-129 |
| -23 | 250-3884, MICRODOT | | | | | | TAI-189 |
| -24 | 202-3934, MICRODOT | | | | | | TAI-102 |
| -24A | 9530A5117, RAYCHEM | | | | | | TAI-189 |
| -25 | T-43M, GENERAL | | | | | | TAI-102 |
| -25A | 5021H5331, RAYCHEM | | | | | | |
| -26 | 7028A5518, RAYCHEM | | | | | | TAI-189 |
| -27 | T19TPSJ2619EN, WOVEN 202-3927, MICRODOT 202-3942, MICRODOT | 1.135 | .096 | .438 | .438 | .500 | TAI-102 |
| -29 | TWC-78-1/TWC-124-1A | | | | | | |
| -30 | 761A, AT&T 8441, BELDEN | | | | | | |
| -32 | TRC-50-1 | | | | | | |
| -33 | TRC-75-1 | | | | | | |
| -42 | 21-204, ESSEX 4463, CONSOLIDATED | | | | | | TAI-189 |
| -43 | 250-4044/250-4045 293-3930, MICRODOT | | | | | | |
| -45 | M275000-22TE2T14 1100-66F, STANDARD | | | | | | TAI-102 |
| -46 | 9860, BELDEN | 1.716 | .130 | .625 | .688 | .750 | TAI-103 |
| -47 | M17/176-00002 | 1.135 | .096 | .438 | .438 | .500 | TAI-102 |
| -49 | TWAC-78-1F2 | | | | | | |
| -54 | 89207, BELDEN | 1.716 | .130 | .625 | .688 | .750 | TAI-103 |
| -55 | 89272, BELDEN | | | | | | TAI-102 |
| -56 | 6C8756C1, GRUMMAN | 1.135 | .096 | .438 | .438 | .500 | TAI-189 |
| -57 | 6C8756B1, GRUMMAN | | | | | | |
| -58 | 6C875TM24H, GRUMMAN | | | | | | |
| -59 | 6C875LN1, GRUMMAN | | | | | | |
| -60 | M17/177, THERMATICS 380-10045, BOEING | | | | | | TAI-189 |
| -64 | 7528A5314, RAYCHEM | | | | | | |



| INCH | MM | INCH | MM |
|------|------|-------|-------|
| .005 | 0.13 | .345 | 8.76 |
| .030 | 0.76 | .347 | 8.81 |
| .096 | 2.44 | .352 | 8.94 |
| .125 | 3.18 | .362 | 9.19 |
| .130 | 3.30 | .438 | 11.13 |
| .132 | 3.35 | .455 | 11.56 |
| .145 | 3.68 | .475 | 12.07 |
| .164 | 4.17 | .485 | 12.32 |
| .183 | 4.65 | .490 | 12.45 |
| .191 | 4.85 | .500 | 12.70 |
| .198 | 5.03 | .593 | 15.06 |
| .200 | 5.08 | .625 | 15.88 |
| .217 | 5.51 | .688 | 17.48 |
| .235 | 5.97 | .750 | 19.05 |
| .274 | 6.96 | 1.135 | 28.83 |
| .285 | 7.24 | 1.716 | 43.59 |
| .300 | 7.62 | 1.846 | 46.89 |
| .323 | 8.20 | | |

| CABLE ENTRY DIA TABLE | | | |
|-----------------------|-----------|---------|-----------|
| DASH NO | ENTRY DIA | DASH NO | ENTRY DIA |
| -7 | .274 | -30 | .235 |
| -8 | .345 | -32 | .191 |
| -9 | | -33 | .217 |
| -A9 | .285 | -42 | .300 |
| -10 | .455 | -43 | .200 |
| -11 | .347 | -45 | .183 |
| -12 | .485 | -46 | .475 |
| -13 | .362 | -47 | .164 |
| -13A | .352 | -49 | .132 |
| -14 | .490 | -54 | .323 |
| -23 | .183 | -55 | .250 |
| -24 | .191 | -56 | |
| -24A | .200 | -57 | .191 |
| -25 | | -58 | |
| -25A | .285 | -59 | .198 |
| -26 | .183 | -60 | .217 |
| -27 | .145 | -64 | .183 |
| -29 | .191 | | |

| MODEL NO | DASH NO/CABLE GROUP | | | | | | | | | | | | | | | | |
|------------------|---------------------|-----|------|-----|-----|------|------|-----|-----|-----|-----|-----|-----|-----|-----|-----|-----|
| PL75FL (TWINAX) | -8 | -9 | -A9 | -10 | -11 | -12 | -24 | -25 | -27 | -29 | -30 | -45 | -46 | -47 | -49 | -54 | -55 |
| PL75FL (TRIAx) | -7 | -13 | -13A | -14 | -23 | -24A | -25A | -26 | -32 | -33 | -42 | -43 | -56 | -57 | -59 | -60 | -64 |
| PL75FL (QUADRAX) | -58 | | | | | | | | | | | | | | | | |

6. EXAMPLE OF COMPLETE MODEL NO:
 PL75FL - 47 △
 BASIC MODEL NO ——— DASH NO
5. EXAMPLE OF COMPLETE PART NO:
 310-0006 - 47 △
 BASIC PART NO ——— DASH NO

RED INDICATES ORIGINAL

- △ CLAMP NUT OMITTED
3. CONCENTRIC TWINAX/TRIAx 4-LUG TRB CABLE PLUG
2. FINISH: TFS-1A (NICKEL)
1. ALL DIM ARE IN INCHES

△ IF BEND RELIEF SPRING REQD (SEE FIG 1)
 ADD SUFFIX "BR" TO MODEL NO (NOT AVAILABLE
 WITH CABLE GROUPS -8, -10, -11, -12, -13,
 -13A, -14, -46 & -54)

| QTY | DESCRIPTION | PART NUMBER | ITEM |
|---|-------------------------------------|-----------------|-------------------------------------|
| TOL UNLESS SPECIFIED .XX ± .XXX ± .005 .XXXX ± ANGLE± | TROMPETER RF connectivity | PL75FL/PL75FLBR | |
| DWN DKC 5-23-91 | MATERIAL | CODE IDENT | DRAWING NO. REV |
| CHK B.M. 5-24-91 | | 14949 | 310-0006 M |
| ENGR | | | |
| 305-0515 | APPR | 6-3-91 | SCALE 2/1 DATE 3/21/83 SHEET 1 OF 2 |
| NEXT ASSY | | | |