

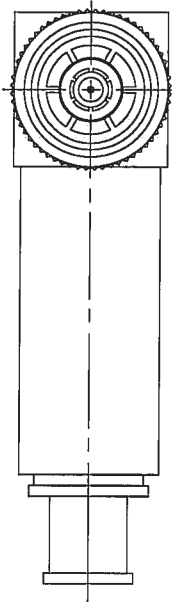
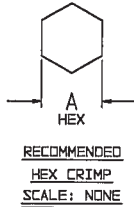
# RED INDICATES ORIGINAL

DWG SIZE C DATA CONTAINED IN THIS DOCUMENT IS PROPRIETARY TO TROMPETER ELECTRONICS INC. AND SHALL NOT BE DISCLOSED, COPIED OR USED FOR PROCUREMENT OR MANUFACTURE WITHOUT EXPRESS WRITTEN PERMISSION.

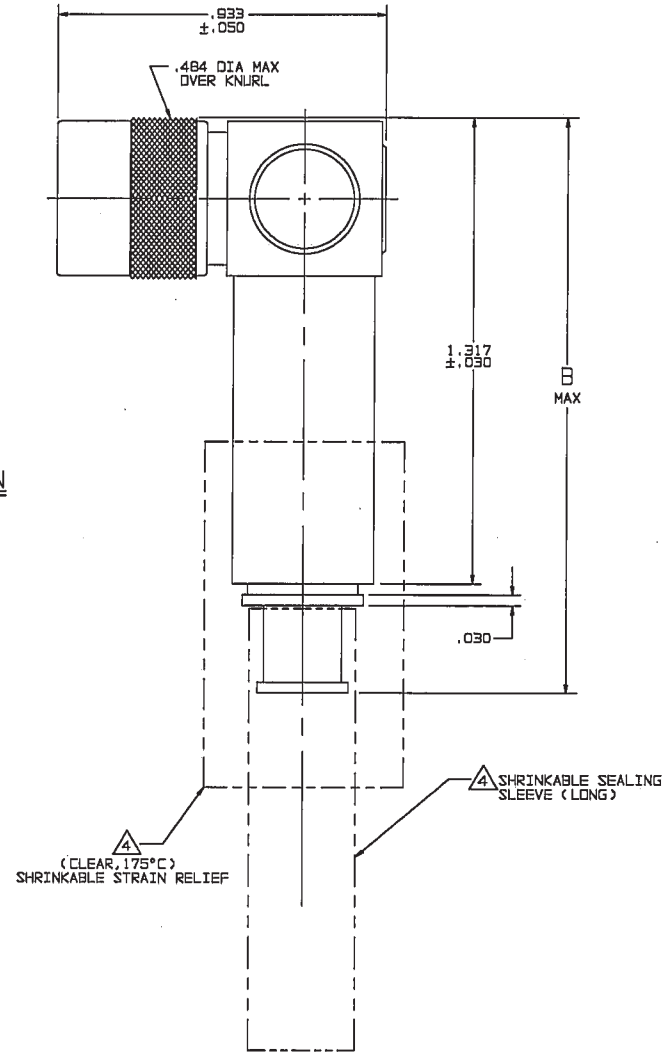
REVISONS			310-0073	SH 1	
REV	ED	DESCRIPTION	DWN	APPROVED	DATE
G	12387	ADDED -224 & -225; ADDED NOTE [4] SHEET 2; SEE ECO	DKC	WM NAM.	7/22/98

DASH NO	CABLES ACCOMMODATED	A HEX	B MAX	ASSEMBLE PER
-201	M17/176-00002	.344	1.77	TAI-169
-202	TWC-78-1			
-203	TWC-124-1A			
-204	10802, RAYCHEM			
-205	TWAC-78-1F2			
-206	7B26D0130, RAYCHEM			
-207	B3310 BELDEN			
-208	202-3827 MICRODOT			
-209	202-3842 MICRODOT			
-210	B451 BELDEN			
-211	202-3934 MICRODOT	.344	1.52	TAI-161
-212	2524E0114, RAYCHEM			
-213	TWC-78-2			
-214	TWC-124-2			
-215	BL-982 TIMES			
-216	BL-1242 TIMES			
-217	GC875TM24H, GRUMMAN	.344	1.77	TAI-169
-218	EPO 221688, RAYCHEM			
-219	2526D1114, RAYCHEM			
-220	GC875RR1, GRUMMAN			
-221	10614, RAYCHEM			
-222	10613, RAYCHEM	.344	1.52	TAI-161
-223	HMS2-1149, HUGHES			
-224	TWCP-124-3			
-225	PS689PL, PRIME STOCK			
-301	GC875GC1, GRUMMAN			
-302	GC875GB1, GRUMMAN			
-303	5022E5111, RAYCHEM			
-304	7528A5314, RAYCHEM			
-305	M17/177-00001, THERMATICS			
-306	TRC-50-2	.344	1.47	TAI-178
-307	M17/134-00002			
-308	TRC-75-1			
-309	TRC-75-2			
-309	TRC-50-1		1.76	TAI-154

INCH	MM
.005	0.13
.030	0.76
.050	1.27
.344	8.74
.484	12.29
.933	23.70
1.00	25.40
1.25	31.75
1.317	33.45
1.47	37.34
1.52	38.61
1.75	44.45
1.76	44.70
1.77	44.96



-201 SHOWN



- 1 SHRINKABLE STRAIN RELIEF AND/OR SHRINKABLE SEALING SLEEVE SUPPLIED LOOSE AS FOLLOWS:
- a. CABLE GROUPS -201 THROUGH -210, -217 THROUGH -223, -301, -302, -303, -305, -307 & -309
    - 1 SHRINKABLE STRAIN RELIEF (1.00 LONG)
    - 1 SHRINKABLE SEALING SLEEVE (1.25 LONG)
  - b. CABLE GROUPS -211 THROUGH -216, -306 & -308
    - 1 SHRINKABLE STRAIN RELIEF (1.75 LONG)
3. CONCENTRIC TWINAX/TRIAx TTM THREADED RIGHT ANGLE FULL CRIMP CABLE PLUG
2. FINISH: TFS-1A (NICKEL)
1. ALL DIM ARE IN INCHES

6. EXAMPLE OF COMPLETE MODEL NO:  
PLR3155AC S-201
- BASIC MODEL NO \_\_\_\_\_ CABLE GROUP DASH NO \_\_\_\_\_  
SAFETY WIRE \_\_\_\_\_
5. EXAMPLE OF COMPLETE PART NO:  
310-0073 S-201
- BASIC PART NO \_\_\_\_\_ CABLE GROUP DASH NO \_\_\_\_\_  
SAFETY WIRE \_\_\_\_\_

QTY	DESCRIPTION	PART NUMBER	ITEM
TOL UNLESS SPECIFIED XX ± .03 .XXX ± .005 X.XXX ANGLE	<b>TROMPETER</b> RF connectivity	PLR3155AC/ PLR3155ACS	
DWN	DKC	5-19-98	
CHK	MM	6-8-98	
ENGR			
APPR	MM	7/16/98	
SCALE 4/1		DATE 4/19/99	SHEET 1 OF 2