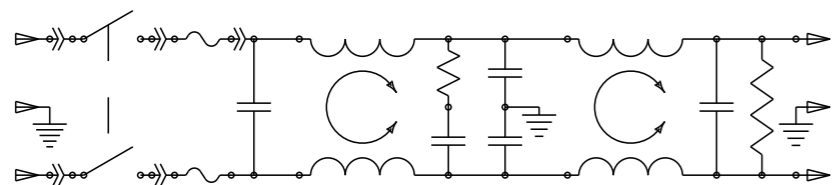


P	LTR	DESCRIPTION	DATE	DWN	APVD
	A	ECO-10-017557	10JAN2012	EC	EC

MINIMUM INSERTION LOSS, 50Ω LINE AND LOAD IMPEDANCES

LINE TO GROUND (COMMON MODE)							LINE TO LINE (DIFFERENTIAL MODE)						
CURRENT RATING	FREQUENCY, MHz						CURRENT RATING	FREQUENCY, MHz					
	.15	.5	1	3	10	30		.15	.5	1	3	10	30
3 AMP	50	60	60	49	40	30	3 AMP	25	60	60	53	45	40
6 AMP	34	58	58	47	37	30	6 AMP	9	50	62	54	46	40
10 AMP	6	35	45	45	38	30	10 AMP	10	20	59	54	48	40

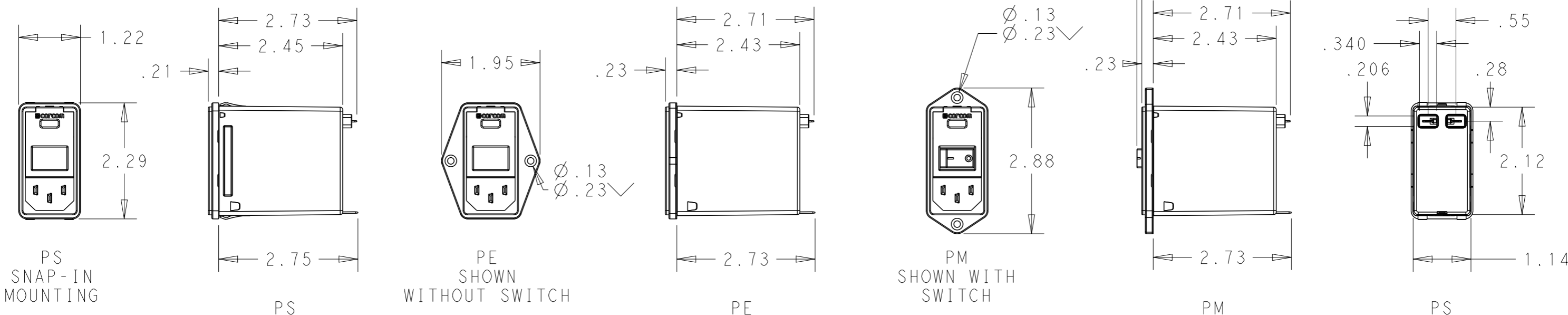


SCHEMATIC

PANEL CUT-OUT



FOR PS VERSIONS THE SHORT EDGES MUST HAVE R.02 ON INSERTION SIDE.  
 \* FOR PANEL THICKNESS 0.031-0.079 USE 2.201  
 FOR PANEL THICKNESS 0.083-0.114 USE 2.213.



**PART NUMBER SYSTEM**

**MOUNTING STYLE**  
 S = SEE ABOVE  
 E = SEE ABOVE  
 M = SEE ABOVE

**SWITCH OPTIONS**  
 0 = NONE  
 S = DOUBLE POLE, SINGLE THROW

**FUSE LOCATIONS**  
 D = DUAL FUSING  
 S = SINGLE FUSING  
 INCLUDES CONVERSION CLIP

**CURRENT**  
 3 = 3 AMP  
 6 = 6 AMP  
 X = 10 AMP

**PSOSOSM6E EXAMPLE:**  
 SNAP-IN MOUNTING  
 WITH SWITCH  
 SINGLE FUSING  
 6 AMP  
 0'S ARE ZEROS.

<b>HIPOT RATING (ONE MINUTE)</b>	<b>MAX LEAKAGE CURRENT</b> .25mA @ 120V 60Hz
LINE TO GROUND: 1500 VAC	PER LINE TO GROUND: .50mA @ 250V 60Hz
LINE TO LINE: 1450 VDC	HUMIDITY: 21 DAYS, 40°C @ 95%RH
OPERATING FREQUENCY: 50/60 Hz	CURRENT OVERLOAD: 6X RATED FOR 8 SEC SWITCH: 10K CYCLES @ 51 AMP INRUSH
RATED VOLTAGE: 120/250 VAC	TERMINALS: 0.187" X .032 FASTON TABS
FUSING: ACCEPTS 3AG Ø 1/4" X 1-1/4" OR METRIC Ø 5 mm X 20 mm	SAFETY AGENCIES: UL RECOGNIZED, CSA CERTIFIED, VDE APPROVED.
OPERATING AMBIENT TEMP: -10°C TO 40°C	
STORAGE TEMPERATURE: -40°C TO 85°C	

THIS DRAWING IS A CONTROLLED DOCUMENT.

DWN: EC 20DEC2011  
 CHK: - 20DEC2011  
 APVD: EC 20DEC2011

**TE Connectivity**

**MEDIUM P SERIES SWITCHED, FUSED, 2-STAGE FILTERED INLET**

PRODUCT SPEC: -  
 APPLICATION SPEC: -

MATERIAL: - FINISH: -

WEIGHT: -

SIZE: A3 CAGE CODE: 00779 DRAWING NO: MEDIUM-P-SERIES RESTRICTED TO: -

CUSTOMER DRAWING SCALE: 1:2 SHEET: 1 OF 1 REV: A