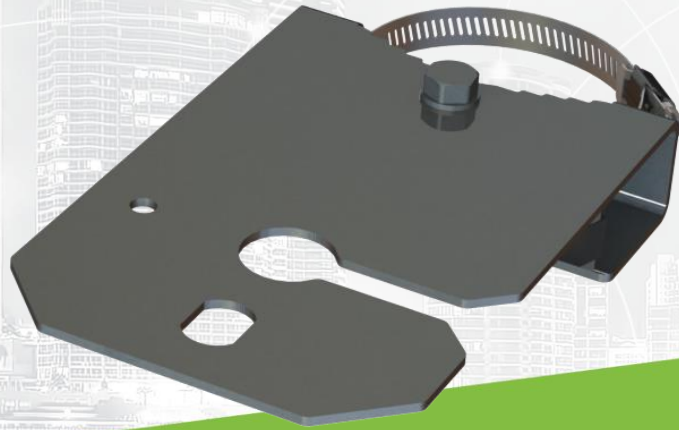




TAOGLAS®



Datasheet

Part No:
PMB.L.SYN.22

Description

Pole Mount Bracket Kit for Taoglas Synergy Series Antennas

Features:

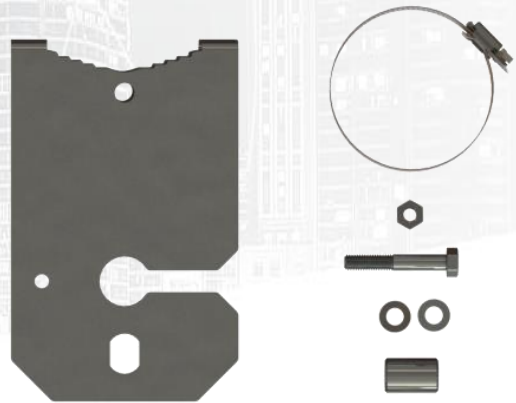
- Hose Clamp Pole Mount
- M8 Hardware
- Carbon Steel
- Suitable pole/mast diameter: 49-79mm
- RoHS & REACH Compliant

1.	Introduction	2
2.	Specification	3
3.	Mechanical Drawing	4
4.	Packaging	5

Taoglas makes no warranties based on the accuracy or completeness of the contents of this document and reserves the right to make changes to specifications and product descriptions at any time without notice. Taoglas reserves all rights to this document and the information contained herein. Reproduction, use or disclosure to third parties without express permission is strictly prohibited.



1. Introduction



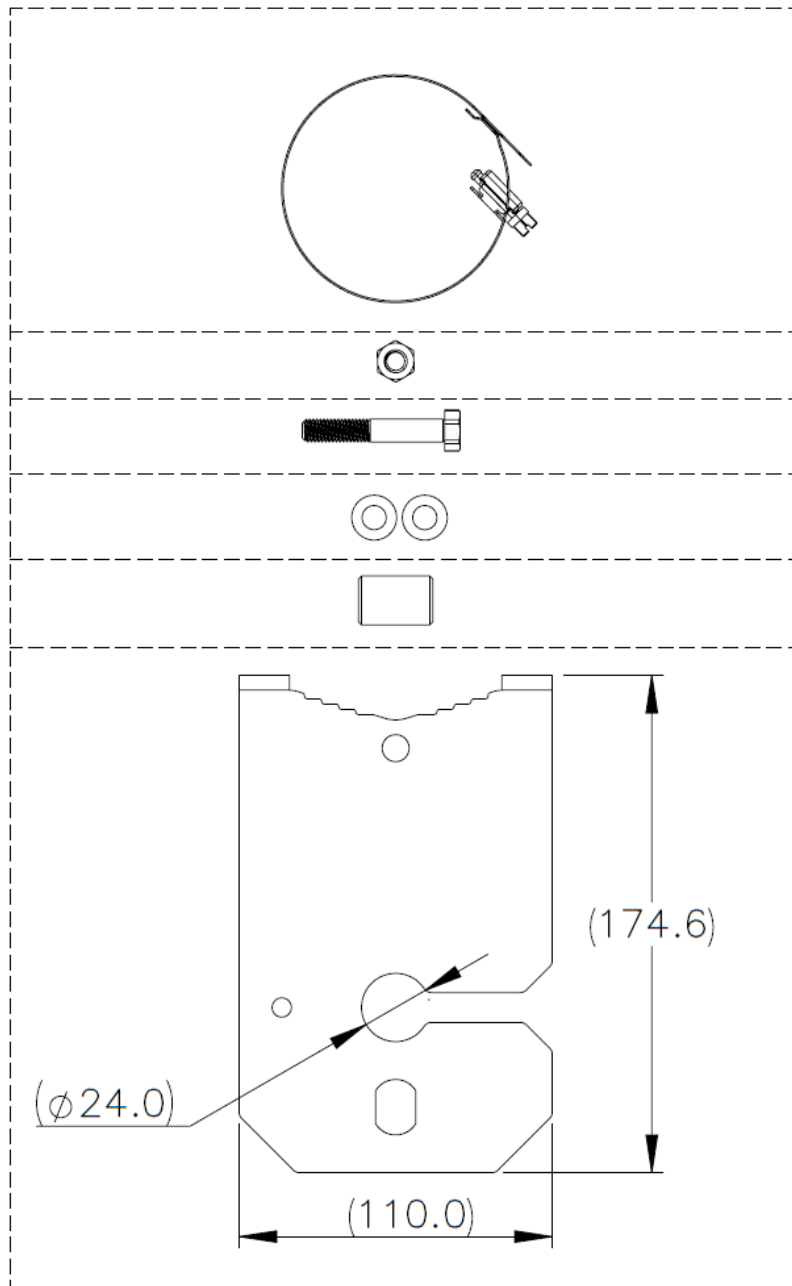
The Taoglas PMB.L.SYN.22 is a robust bracket kit designed for pole mount installation and to suit mounting requirements of our Synergy and SynergyX product series' where only a vertical pole/mast is available for the antenna.

Contact your regional Taoglas customer support team for further information.

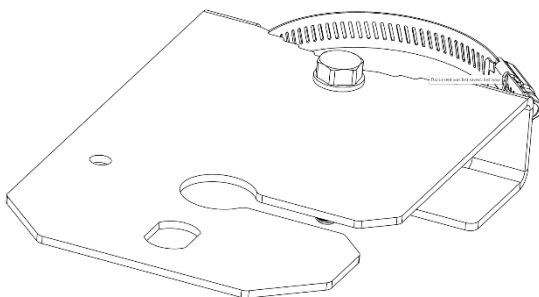
2. Specification

Mechanical	
Bracket weight	490 g
Material	Bracket: Carbon Steel 2.5mm thick, Dachromate Plated. M8 Hardware: Carbon Steel, Dachromate Plated. Hose Clamp: Stainless Steel with Dachromate Plated Carbon Steel Screw.
Bracket Size (L x W x H)	174.6 x 110 x 31.3mm
Max. Antenna Size (Ø x H)	Ø 160 x 57.5mm
Maximum Antenna Weight	2700 g
Mounting Base Large Hole	Ø24mm
Mounting Base Small Hole	Ø6.8mm
Mounting Base Slot	Ø16.5 x 3mm
Hose Clamp Pole Mount	Ø49mm min to Ø79mm max
Environmental	
Operation Temperature	-40°C ~ +85°C
Storage Temperature	-40°C ~ +85°C

3. Mechanical Drawing



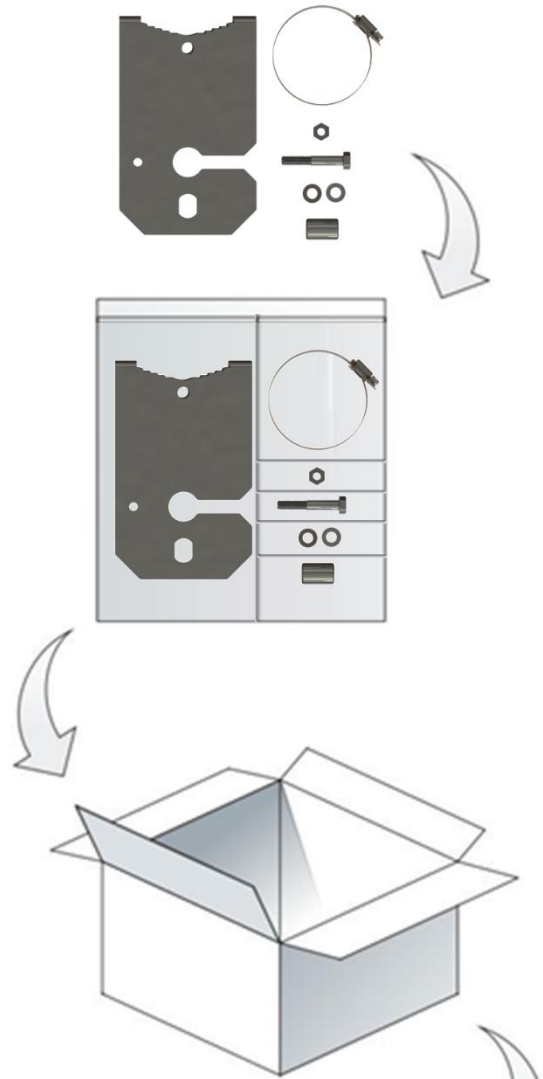
① △ 3



ITEM NO.	DESCRIPTION	QTY.
△ 3 1	Pole Mount Bracket Assembly,001 CONFIG	1

4. Packaging

Each bracket is sealed in a polyethylene bag.



Changelog for the datasheet

SPE-22-8-143 – PMB.L.SYN.22

Revision: A (Initial Release)	
Date:	2023-05-31
Changes:	Initial Release
Changes Made by:	Cesar Sousa

Previous Revisions

<table border="1"> <tr><td> </td><td> </td></tr> <tr><td> </td><td> </td></tr> <tr><td> </td><td> </td></tr> <tr><td> </td><td> </td></tr> </table>									