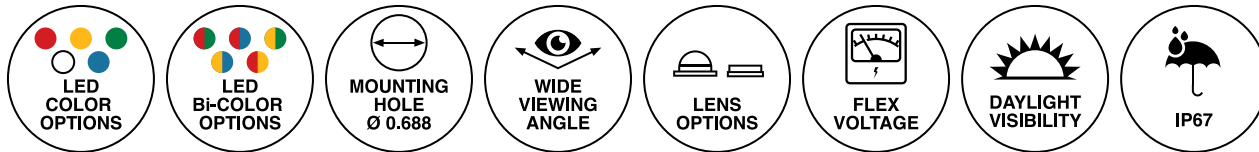


# PML50 Series 0.688" (17.5mm) Harsh Environment LED FlexVolt™ Panel Mount Indicator



PML50 Series with built-in LED FlexVolt™ technology



## Application

- Industrial
- Transportation
- High Humidity, Sunlight and/or rain-expose conditions
- Maritime, Oil and Gas Industry
- Automation and Control
- High Vibration
- Safety and Emergency
- Pilot Instrumentation
- Outdoor Applications

## Key Features

- For panel hole diameter: 0.688" (17.5mm)
- Low profile flat and semi dome lens options for uniform illumination
- Flat lens with a clear diffused lens for increased contrast visibility between on and off
- Semi dome lens with a white diffused lens for optimal side distance viewing
- Increase productivity w/color coded wiring
- Single colors options: Red, Green, White, Blue and Yellow
- Bi-color options: Red/Green, Red/Blue, Yellow/Green, Yellow/Blue and Red//Yellow
- Offered with two lens options: Low Profile Flat and Semi Dome
- Resistant to shock and vibration
- Flex voltage (5 VDC to 28 VDC) designed for application flexibility: one solution for several required input voltages
- Wide viewing angle
- Mounting hardware provided: lock washer and hex nut
- "Double D" mounting hole prevents any rotation of the indicator while the nut is being installed
- IP67 specification rating protects front panels against entry of dust, rain and moisture
- InGaN and AlInGaP Technology
- Visible LED in direct sunlight with UV resistance lens
- Long lifetime, up to 100k hours
- Does not require an external resistor to work
- For custom cable length, connectors or colors contact VCC
- RoHS and REACH Compliant

## Ordering Data

### PML50



Example:  
**PML50RFVW**  
 PML50 Series, Red Color,  
 5 VDC to 28 VDC

### PML50 - Semi Dome



Example:  
**PML50SWFVW**  
 PML50 Series, White Color, 5 VDC to  
 28 VDC, Semi Dome Lens

| Part Number | Color  | Lens      | Terminal                           | Voltage         | Luminance (mcd) |
|-------------|--------|-----------|------------------------------------|-----------------|-----------------|
| PML50RFVW   | Red    | Flat      | 24 AWG 5.5" color-coded wire leads | 5 VDC to 28 VDC | 950             |
| PML50WFVW   | White  | Flat      | 24 AWG 5.5" color-coded wire leads | 5 VDC to 28 VDC | 2980            |
| PML50GFVW   | Green  | Flat      | 24 AWG 5.5" color-coded wire leads | 5 VDC to 28 VDC | 3640            |
| PML50BFVW   | Blue   | Flat      | 24 AWG 5.5" color-coded wire leads | 5 VDC to 28 VDC | 270             |
| PML50YFVW   | Yellow | Flat      | 24 AWG 5.5" color-coded wire leads | 5 VDC to 28 VDC | 2020            |
| PML50SRFVW  | Red    | Semi Dome | 24 AWG 5.5" color-coded wire leads | 5 VDC to 28 VDC | 780             |
| PML50SWFVW  | White  | Semi Dome | 24 AWG 5.5" color-coded wire leads | 5 VDC to 28 VDC | 1090            |
| PML50SGFVW  | Green  | Semi Dome | 24 AWG 5.5" color-coded wire leads | 5 VDC to 28 VDC | 1770            |
| PML50SBFVW  | Blue   | Semi Dome | 24 AWG 5.5" color-coded wire leads | 5 VDC to 28 VDC | 200             |
| PML50SYFVW  | Yellow | Semi Dome | 24 AWG 5.5" color-coded wire leads | 5 VDC to 28 VDC | 970             |

### PML50 - Bi-Color



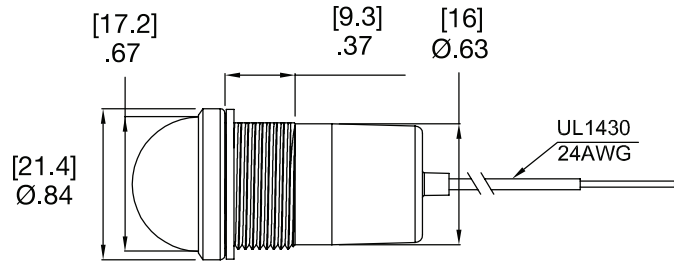
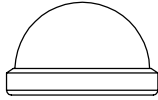
Example:  
**PML50YGFVW**  
 PML50 Series, Yellow/Green Bi-Color,  
 5 VDC to 28 VDC

| Part Number | Color        | Lens      | Terminal                           | Voltage         | Luminance (mcd) |
|-------------|--------------|-----------|------------------------------------|-----------------|-----------------|
| PML50RGFVW  | Red/Green    | Flat      | 24 AWG 5.5" color-coded wire leads | 5 VDC to 28 VDC | 1130/2380       |
| PML50RBFVW  | Red/Blue     | Flat      | 24 AWG 5.5" color-coded wire leads | 5 VDC to 28 VDC | 870/2373        |
| PML50YGFVW  | Yellow/Green | Flat      | 24 AWG 5.5" color-coded wire leads | 5 VDC to 28 VDC | 1087/762        |
| PML50YBFVW  | Yellow/Blue  | Flat      | 24 AWG 5.5" color-coded wire leads | 5 VDC to 28 VDC | 762/2373        |
| PML50RYFVW  | Red/Yellow   | Flat      | 24 AWG 5.5" color-coded wire leads | 5 VDC to 28 VDC | 870/394         |
| PML50SRGFVW | Red/Green    | Semi Dome | 24 AWG 5.5" color-coded wire leads | 5 VDC to 28 VDC | 520/1370        |

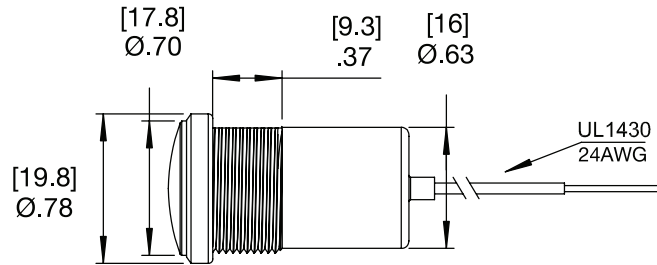
**Notes:** Test Parameters: Voltage at 24VDC and Temperature at 25°C or 77°F

# Product Dimensions

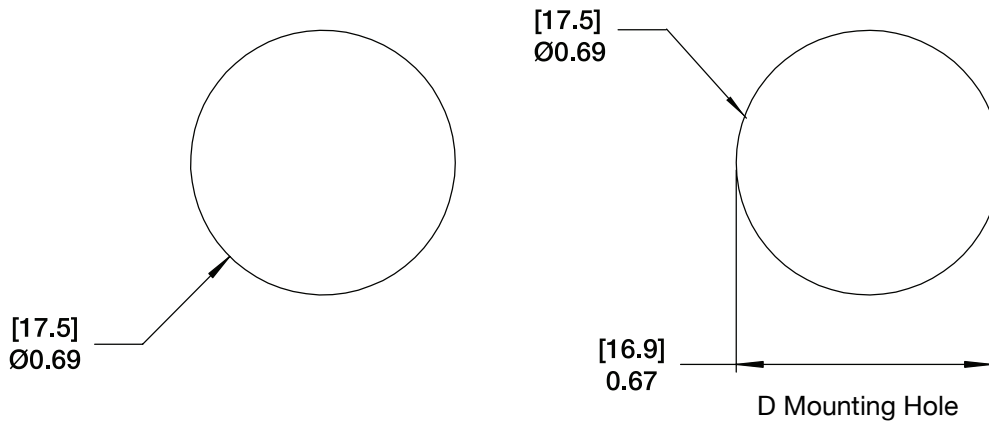
## Semi Dome Lens



## Flat Lens



## Recommended Mounting Hole

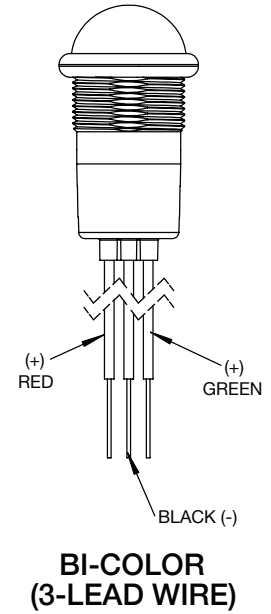
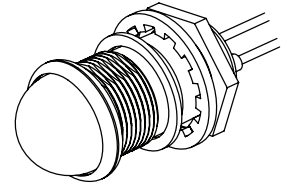
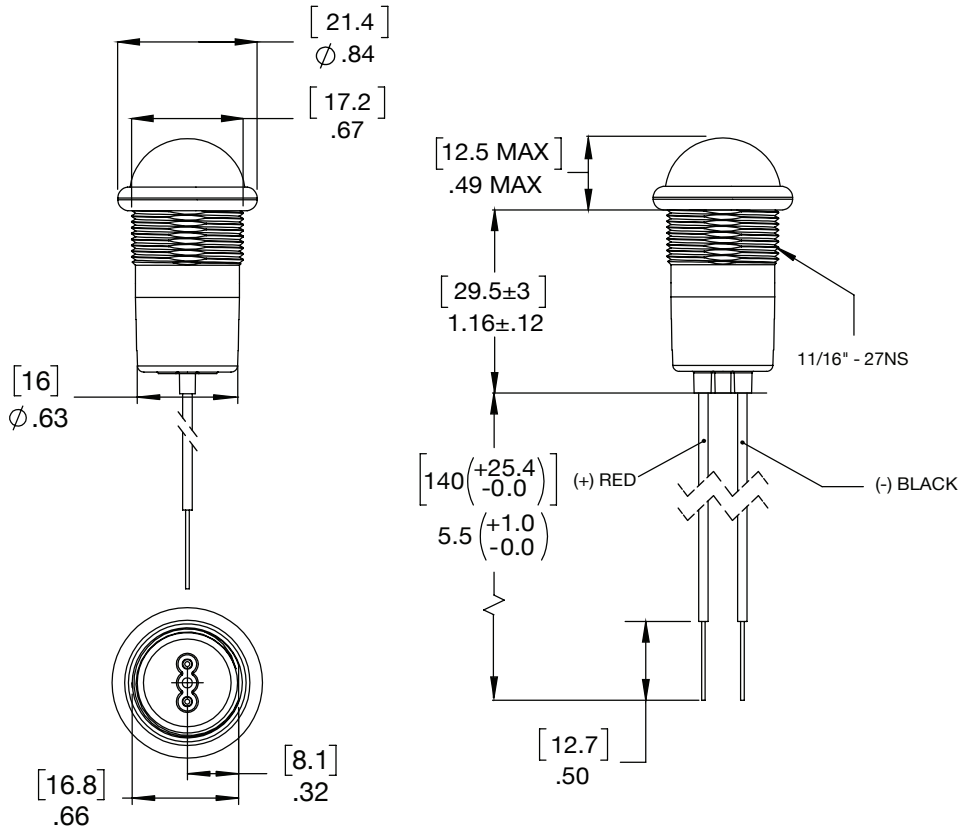


### Notes:

1. All dimensions are in inches [millimeters]
2. Tolerance is  $\pm[0.25]$   $0.01$  unless otherwise noted.
3. The specifications, characteristics and technical data described in the datasheet are subject to change without prior notice.

# Product Dimensions

## Semi Dome Lens

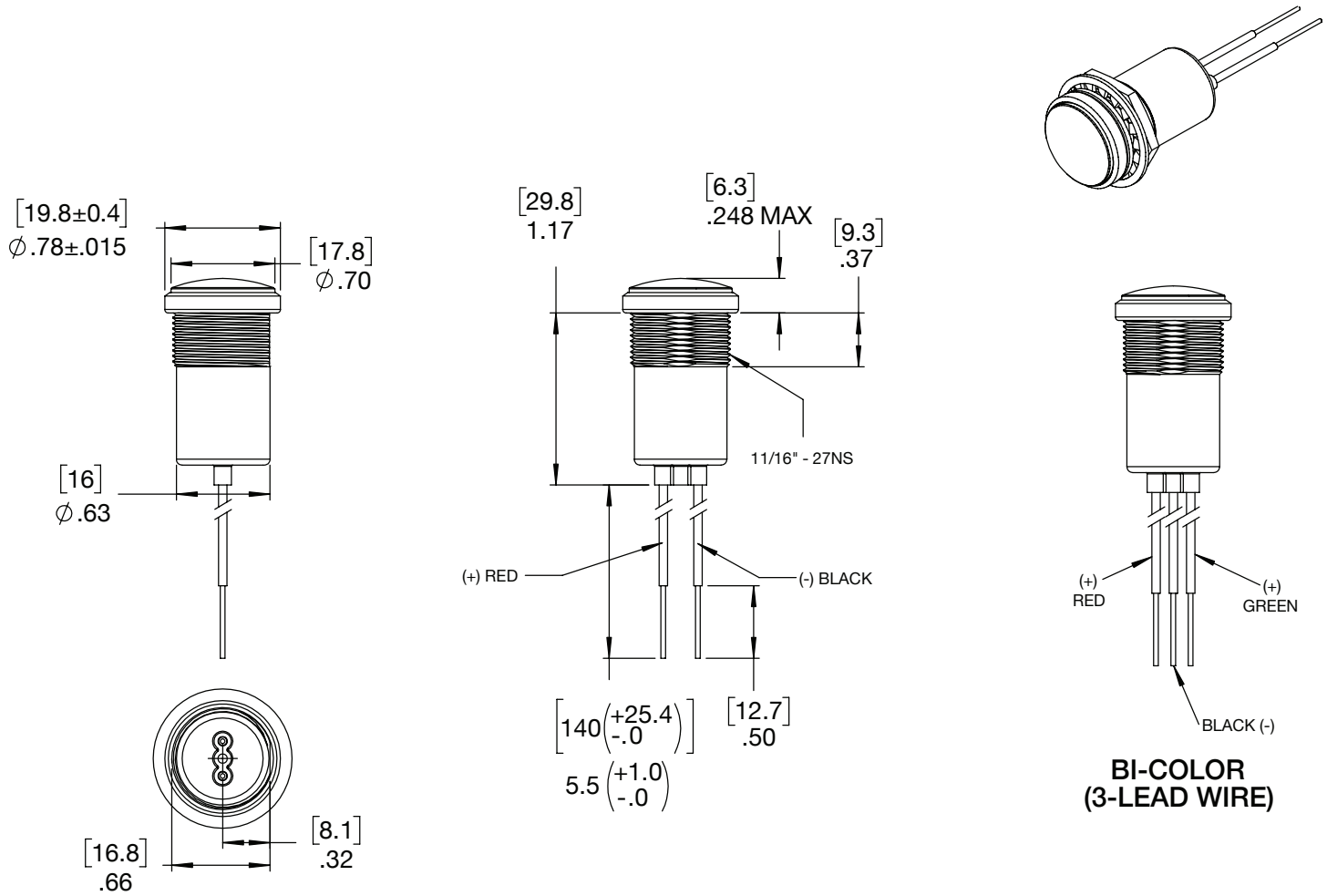


### Notes:

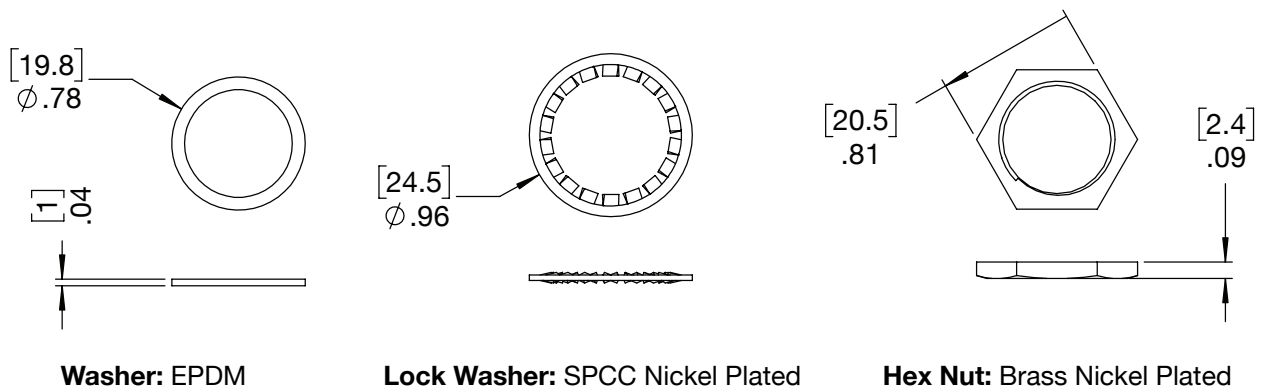
1. All dimensions are in inches [millimeters]
2. Tolerance is  $\pm[0.25] 0.01$  unless otherwise noted.
3. The specifications, characteristics and technical data described in the datasheet are subject to change without prior notice.

# Product Dimensions

## Flat Lens



## Mounting Hardware (Included for flat and semi dome lenses)



### Notes:

1. All dimensions are in inches [millimeters]
2. Tolerance is  $\pm[0.25]$   $0.01$  unless otherwise noted.
3. The specifications, characteristics and technical data described in the datasheet are subject to change without prior notice.