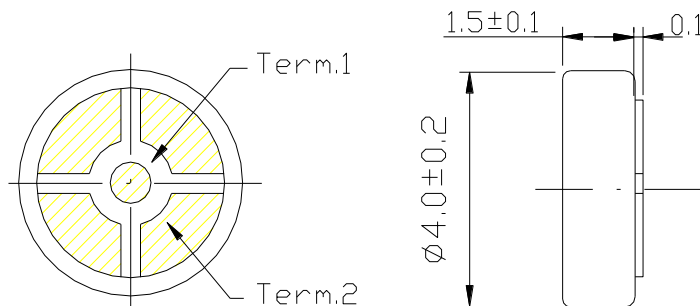
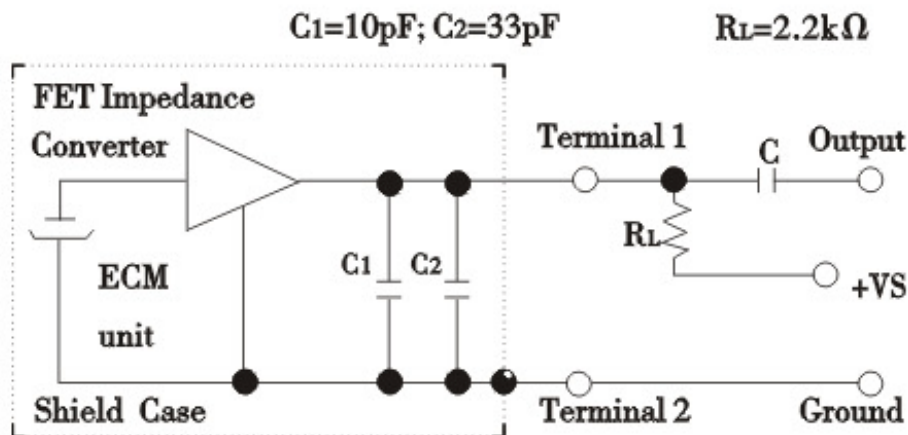


**May not be suitable for all Medical and Aerospace applications.
Contact Mallory Sonalert to discuss your application.**

Microphone Technology	Electret Condenser Microphone
Sensitivity Range	-42 ± 2 dB $R_L = 2.2$ k Ω $V_{CC} = 2.0$ v (1 kHz 0 dB = 1 v/Pa)
Impedance	Max. 2.2k Ω 1 kHz ($R_L = 2.2$ k Ω)
Frequency	50 - 12000 Hz
Current Consumption	Max 0.5 mA
Operating Voltage Range	1.0 – 10 V
Max SPL (dB)	115 dB
S/N Ratio	More than 58 dB
Sensitivity Reduction	1.5 – 3.0V Variation less than 3 dB
Storage Condition	-25 ~ +70°C; R.H. < 90%
Operating Condition	-25 ~ +60°C; R.H. < 90%
Weight (g)	0.1
Options	For other options contact factory

Dimensions: (units: mm)**ROHS Compliant****Schematic Diagram:**

Packaging: Parts are supplied on Cut Tape minimum 100pcs.