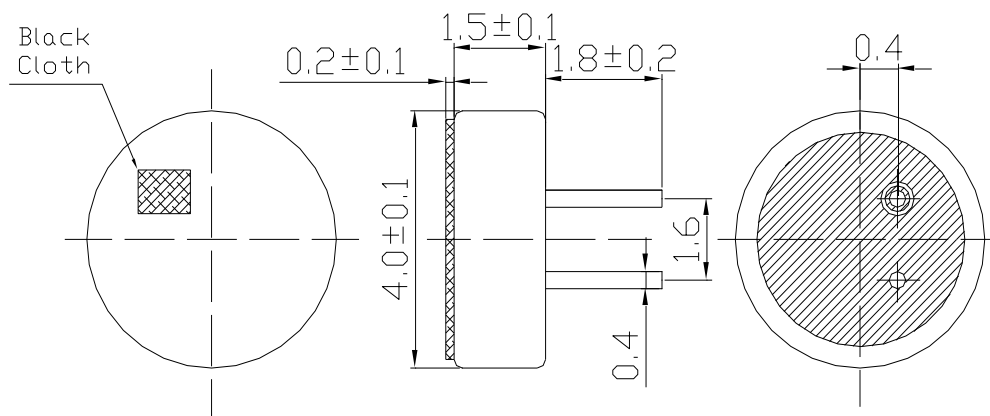


**May not be suitable for all Medical and Aerospace applications.
Contact Mallory Sonalert to discuss your application.**

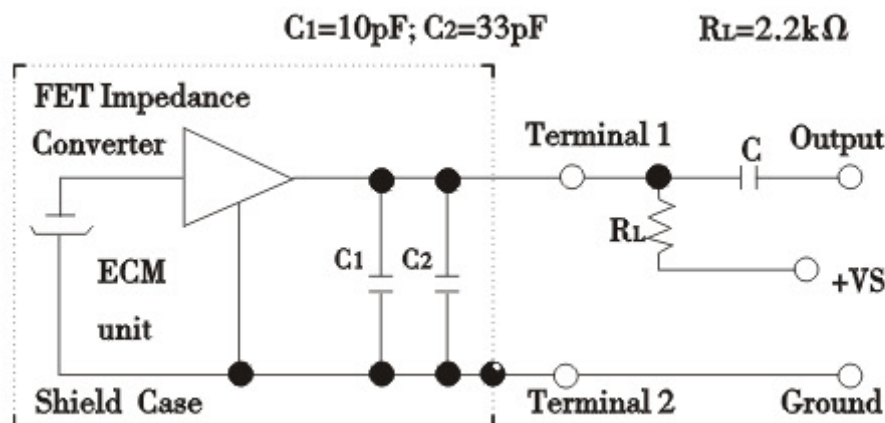
Sensitivity Range	-42 ± 2 dB RL = 2.2 kΩ Vcc = 3.0v (1 kHz 0 dB = 1 v/Pa)
Impedance	Max. 2.2kΩ 1 kHz (RL = 2.2 kΩ)
Frequency	50 - 12000 Hz
Current Consumption	Max 0.5 mA
Operating Voltage Range	1.0 – 10 V
Max SPL (dB)	110 dB
S/N Ratio	More than 58 dB
Sensitivity Reduction	3.0 – 2.0V Variation less than 3 dB
Storage Condition	-25 ~ +70°C; R.H. < 45 ~ 75%
Operating Condition	-25 ~ +70°C; R.H. < 85%
Weight (g)	0.1
Options	For other options contact factory

Dimensions: (units: mm)

ROHS Compliant



Schematic Diagram:



Packaging: Bulk pack in quantities of 100pcs.