

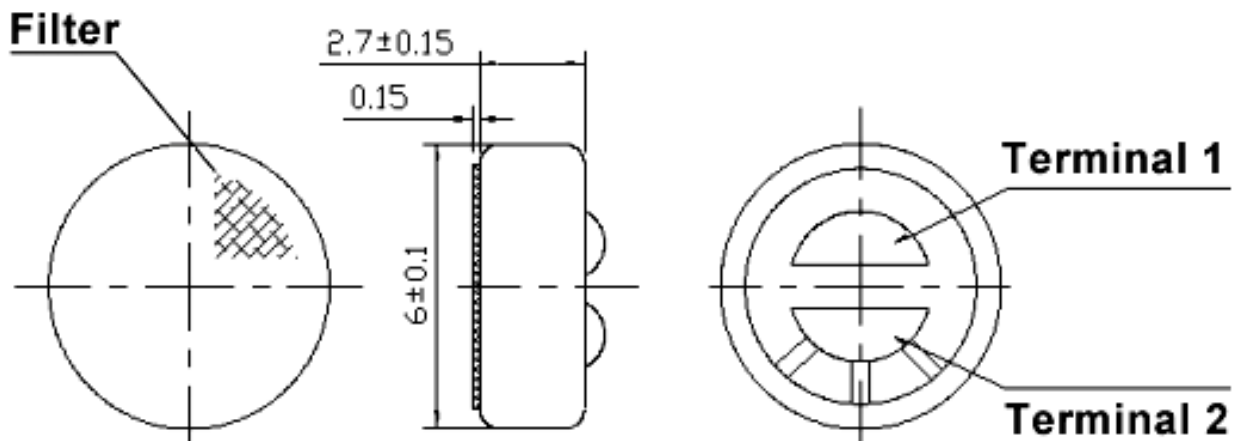
Sales Outline Drawing

**May not be suitable for all Medical and Aerospace applications.
Contact Mallory Sonalert to discuss your application.**

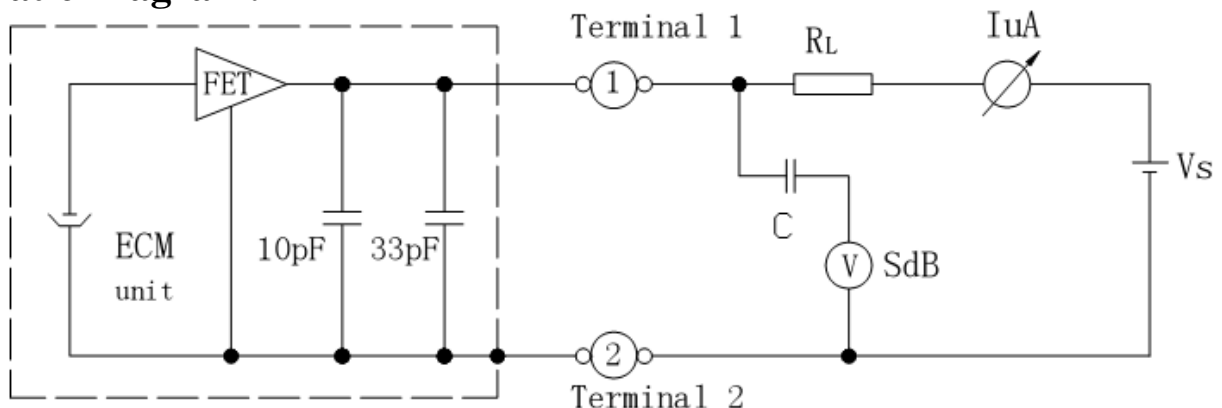
Sensitivity Range	-36 ± 3 dB $R_L = 2.2$ k Ω $V_s = 2.0$ vdc (1 kHz 0 dB = 1 v/Pa)
Impedance	Max. 2.2k Ω 1 kHz ($R_L = 2.2$ k Ω)
Frequency	50 - 10000 Hz
Current Consumption	Max 0.5 mA
Operating Voltage Range	1.0 – 10 Vdc
Max SPL (dB)	115 dB
S/N Ratio	More than 58 dB
Sensitivity Reduction	2.0 –1.5V Variation less than 3 dB
Storage Condition	-40 ~ +70°C; R.H. < 90%
Operating Condition	-20 ~ +60°C; R.H. < 90%
Weight (g)	0.05
Options	For other options contact factory

Dimensions: (units: mm)

ROHS Compliant



Schematic Diagram:



Packaging: Bulk pack in quantities of 100pcs.