

**May not be suitable for all Medical and Aerospace applications.
Contact Mallory Sonalert to discuss your application.**

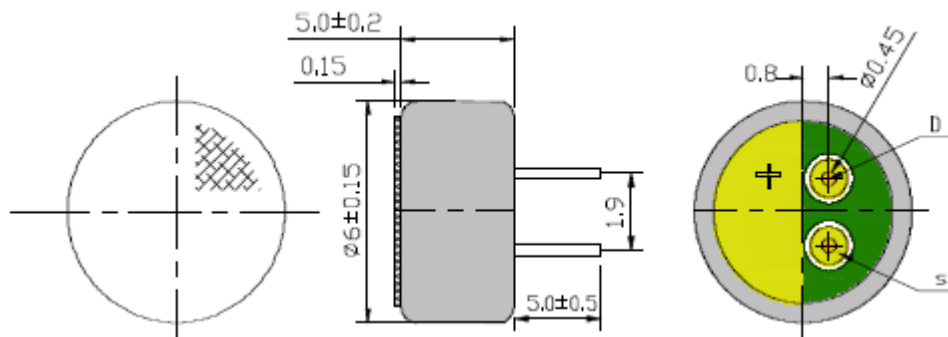
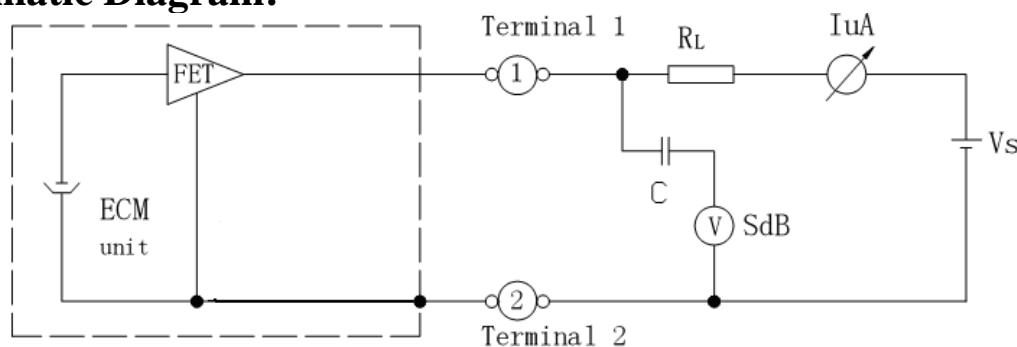
Sensitivity Range	-36 ± 2 dB $R_L = 2.2$ k Ω $V_{cc} = 2.0$ v (1 kHz 0 dB = 1 v/Pa)
Impedance	Max. 2.2k Ω 1 kHz ($R_L = 2.2$ k Ω)
Frequency	100 - 10000 Hz
Current Consumption	Max 0.5 mA
Operating Voltage Range	1.0 – 10 V
Max SPL (dB)	115 dB
S/N Ratio	More than 56 dB
Sensitivity Reduction	4.5 –3.0V Variation less than 3 dB
Storage Condition	-40 ~ +70°C; R.H. < 90%
Operating Condition	-20 ~ +60°C; R.H. <90%
Weight (g)	0.5

Soldering

All soldering procedures must be completed in a metallic device, with soldering iron limited as $310^\circ \pm 20^\circ\text{C}$. All fixtures and irons must be statically grounded under each soldering process.

Options

For other options contact factory

Dimensions: (units: mm)**ROHS Compliant****Schematic Diagram:** $R_L = 2.2$ k Ω , $V_s = 4.5$ V**Packaging:** Bulk pack in quantities of 100pcs.