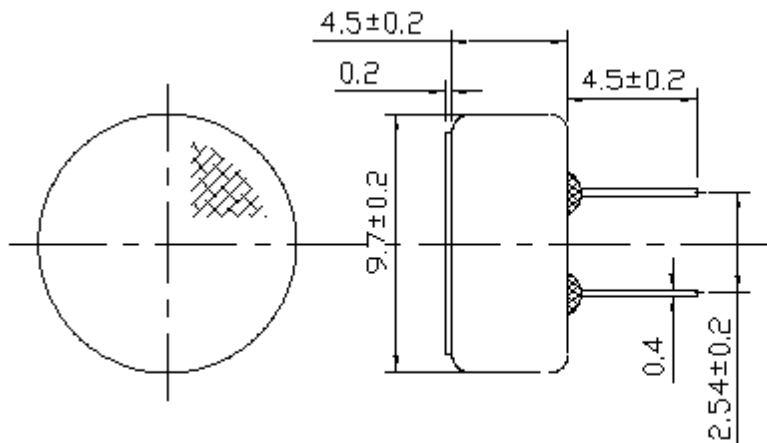
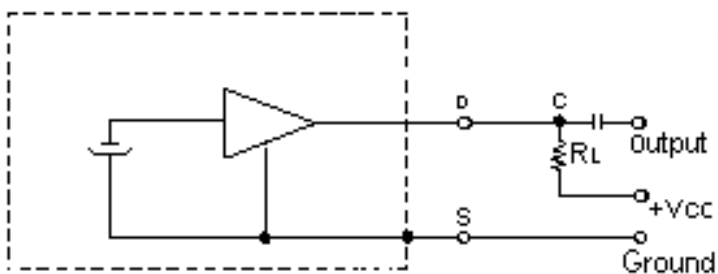
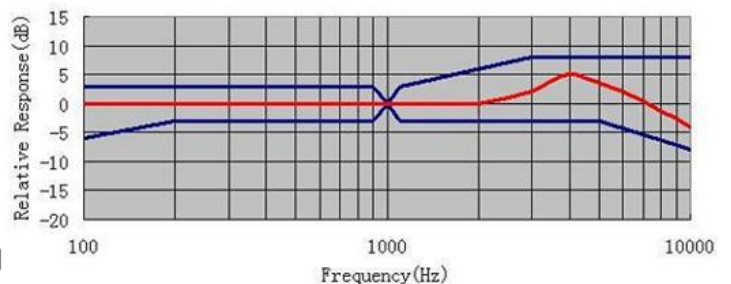


**May not be suitable for all Medical and Aerospace applications.
Contact Mallory Sonalert to discuss your application.**

Sensitivity Range	-39 ± 1 dB $R_L = 2.2\text{ k}\Omega$ $V_{CC} = 4.5\text{V}$ (1 kHz 0 dB = 1 v/Pa)
Impedance	Max. 2.2k Ω 1 kHz ($R_L = 2.2\text{ k}\Omega$)
Frequency	10 - 10000 Hz
Current Consumption	Max 0.5 mA
Operating Voltage Range	1.1 – 10 V
Max SPL (dB)	115 dB
S/N Ratio	More than 58 dB
Sensitivity Reduction	4.5 –3.0V Variation less than 3 dB
Storage Condition	-40 ~ +70°C; R.H. < 90%
Operating Condition	-20 ~ +60°C; R.H. < 90%
Weight (g)	0.65
Options	For other options contact factory

Dimensions: (units: mm)**ROHS Compliant****Schematic Diagram:****Typical Frequency Response Curve:****Packaging:**

Bulk pack in quantities of 100pcs.