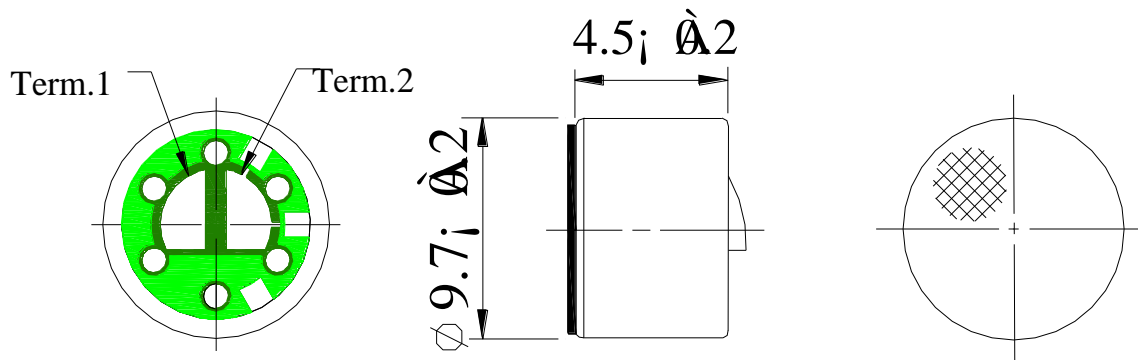


**Specifications: May not be suitable for all Medical and Aerospace applications.
Contact Mallory Sonalert to discuss your application.**

Sensitivity Range	-47 ± 2 dB $R_L = 680\Omega$ $V_s = 1.5\text{vdc}$ (1 kHz 0 dB = 1 v/Pa)
Impedance	Max. 680Ω 1 kHz ($R_L = 680\Omega$)
Frequency	100 - 10000 Hz
Current Consumption	Max 0.5 μA
Operating Voltage Range	1.0 – 10 Vdc
Max SPL (dB)	115 dB
S/N Ration	More than 58 dB 1kHz,0dB=1V/Pa,A-weight
Sensitivity Reduction	3.0 – 1.5 V Variation less than 3 dB
Options	For other options contact factory

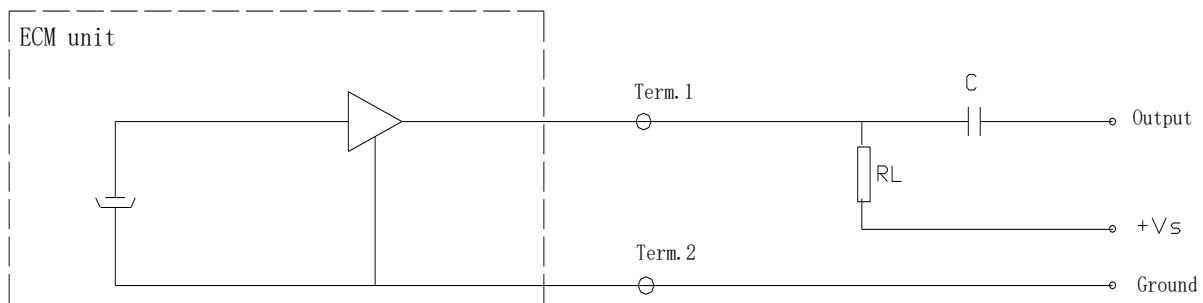
Dimensions: (units: mm)

ROHS Compliant



Schematic Diagram:

$R_L=680\Omega$ $V_s=1.5V$



Typical Response Curve:

