

# Photoelectrics

## Retro-reflective, Polarized, Transistor Output

### Type PMP

CARLO GAVAZZI



- Range: 6 m
- Modulated, visible light, polarized
- Rated operational voltage: 10 to 40 VDC
- Output: 200 mA, NPN or PNP
- Make or break switching function (switch selectable)
- Fully protected
- LED-indication for target detected
- High immunity to ambient light
- 25 x 65 x 81 mm reinforced PC/ABS housing, IP 67
- Timer options (adjustable)

## Product Description

Retro-reflective photoelectric switch with polarized light. Range up to 6 m. Fixed sensitivity. High immunity to ambient light. Output function switch selectable. Protection degree IP 67. Screw terminal

connection. 25 x 65 x 81 mm polycarbonate housing. PG 13.5 or 1/2" NPT cable gland. Timer options: Delay on operate, delay on release, one shot (triggered on leading or trailing edge).

## Ordering Key

**PMP 6 P G T**

Type \_\_\_\_\_  
 Range \_\_\_\_\_  
 Output \_\_\_\_\_  
 Cable gland type \_\_\_\_\_  
 Timing function \_\_\_\_\_

## Type Selection

| Housing<br>W x H x D  | Range<br>S <sub>n</sub> | Ordering no.<br>without timer<br>NPN | Ordering no.<br>without timer<br>PNP | Ordering no.<br>with timer<br>NPN | Ordering no.<br>with timer<br>PNP |
|---|-------------------------|--------------------------------------|--------------------------------------|-----------------------------------|-----------------------------------|
| 25 x 65 x 81<br>PG 13.5 cable gland<br>1/2" NPT cable gland | 6 m<br>6 m              | PMP 6N G<br>PMP 6N I                 | PMP 6P G<br>PMP 6P I                 | PMP 6N GT<br>PMP 6N IT            | PMP 6P GT<br>PMP 6P IT            |

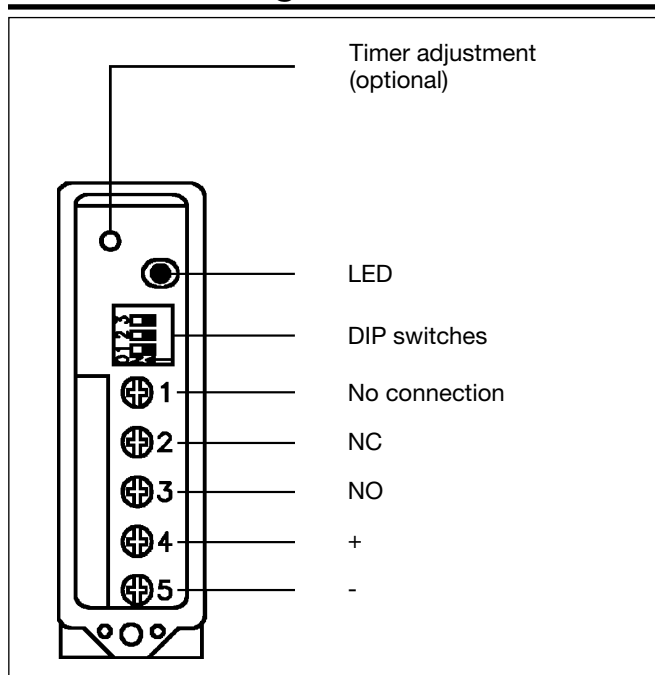
## Specifications

|   |  |   |  |
|---|--|---|--|
| <b>Rated operating distance (S<sub>n</sub>)</b><br>(0 to 5,000 lux)             | 6 m<br>With reflector type ER 4,<br>ref. target  | <b>Time delay before avail. (t<sub>v</sub>)</b>                           | ≤ 300 ms (typ. 100 ms)   |
| <b>Rated operational volt. (U<sub>B</sub>)</b>                                  | 10 to 40 VDC                                     | <b>Output function</b>  | Switch selectable, make or<br>break switching                    |
| <b>Ripple (U<sub>rpp</sub>)</b>   | 10%  | <b>Indication</b><br>Target detected                                      | LED, yellow  |
| <b>Output current</b><br>Continuous (I <sub>e</sub> )<br>Short-time (I)         | ≤ 200 mA<br>200 mA,<br>max. load capacity 100 nF | <b>Optional timer</b><br>Delay on operate<br>Delay on release<br>One shot | 0.1 to 7 s ± 2 s<br>0.1 to 7 s ± 2 s<br>0.1 to 7 s ± 2 s         |
| <b>No load supply current</b>   | ≤ 40 mA  | <b>Environment</b><br>Overvoltage category                                | III (IEC 60664/60664A;<br>60947-1)                               |
| <b>OFF-state current (I<sub>r</sub>)</b>  | Max. 100 μA                                      | Pollution degree  | 3 (IEC 60664/60664A;<br>60947-1)                                 |
| <b>Voltage drop (U<sub>d</sub>)</b>   | ≤ 2.5 VDC  | Degree of protection  | IP 67 (IEC 60529; 60947-1)                                       |
| <b>Transient voltage</b>  | IEC 60947-5-2, level 3, 2.5 kV                   | <b>Temperature</b><br>Operating<br>Storage                                | -25° to +55°C (-13° to +131°F)<br>-30° to +80°C (-22° to +176°F) |
| <b>Dielectric voltage</b>   | 2000 VAC rms (cont./supply)                      | <b>Vibration</b>  | 10 to 150 Hz, 0.5 mm/7.5 g<br>(IEC 60068-2-6)                    |
| <b>Sensitivity</b>  | Fixed  | <b>Shock</b>  | 2 x 1 m & 100 x 0.5 m<br>(IEC 60068-2-32)                        |
| <b>Light source</b>   | GaAlAs, LED, 660 nm                              | <b>Rated insulation voltage</b>   | 50 VAC (rms)   |
| <b>Light type</b>   | Visible, modulated                               | <b>Electrical protection</b>  | Short-circuit, reverse polarity,<br>overvoltage, transients      |
| <b>Optical angle</b>  | ±2°  |   |  |
| <b>Light spot size</b>  | 280 mm at 4 m                                    |   |  |
| <b>Operating frequency</b>  | 100 Hz   |   |  |
| <b>Response time</b><br>OFF-ON (t <sub>ON</sub> )<br>ON-OFF (t <sub>OFF</sub> ) | ≤ 4 ms<br>≤ 6 ms                                 |   |  |

## Specifications (cont.)

|                         |  |
|-------------------------|--|
| <b>Housing material</b> |  |
| Body                    | PC/ABS, grey                             |
| Front                   | PC, red                                  |
| Cover                   | PC, black                                |
| Cable gland             | PA, black, reinforced                    |
| Mounting bracket        | Steel, black                             |
| <b>Connection</b>       |  |
| Screw terminal          | 5 x 2 x 1 mm <sup>2</sup>                |
| Cable gland             | PG 13.5 or 1/2" NPT for cable 6 to 10 mm |
| <b>Weight</b>           | 90 g                                     |
| <b>CE-marking</b>       | Yes                                      |

## Connection Diagram



## Selection of Function

|          | Switch<br>1 2 3 |   |
|----------|-----------------|---|
| PMP ...  |                 | 1 Break switching   |
|          |                 | 2 Make switching  |
| PMP ...T |                 | 3 Delay on operate - Break switching                      |
|          |                 | 4 Delay on operate - Make switching                       |
|          |                 | 5 Delay on release - Break switching                      |
|          |                 | 6 Delay on release - Make switching                       |
|          |                 | 7 One shot, trailing edge - Break switching               |
|          |                 | 8 One shot, trailing edge - Make switching                |
|          |                 | 9 One shot, leading edge - Break switching                |
|          |                 | 10 One shot, leading edge - Make switching                |
|          |                 | ☒ Don't care  |
|          |                 | Upper position ON (Mode 1)<br>Lower position OFF (Mode 0) |

## Truth Table

|                | Make switching |        | Break switching |            |
|----------------|----------------|--------|-----------------|------------|
|                | Yes            | No     | Yes             | No         |
| Object present | Yes            | No     | Yes             | No         |
| LED            | OFF            | ON     | OFF             | ON         |
| Load           | Non-active     | Active | Active          | Non-active |

## Accessories

- Reflectors: ER series
- MB02 mounting bracket 90 mm long for mounting PMP from behind

## Delivery Contents

- Photoelectric switch: PMP
- Cable gland
- Installation instruction
- Mounting bracket
- **Packaging:** Corrugated cardboard (environmentally friendly recycling material)