

# Photoelectrics Through-beam, Industrial Door Market Type PMT20.M, Mute Input

CARLO GAVAZZI



- Range: 20 m
- Modulated, infrared light
- LED-indication for power supply ON (emitter) and target detected (receiver)
- Multi supply voltage:  
24 VDC and 24 VAC, 50/60 Hz
- 25 x 65 x 81 mm reinforced PC housing, IP 67
- CE, UL325 and UL508 approved



## Product Description

Through-beam photoelectric switch. Range up to 20 m. Immune to ambient light. Precise detection through narrow beam. LED-indication. Protection degree IP 67. Screw terminal connection. 25 x 65 x 81 mm plastic

housing. PG 13.5 or 1/2" NPT cable gland. With Mute Input on the transmitter the sensor fulfill EN12978

## Ordering Key

**PMT20 R G M**

Type \_\_\_\_\_  
Receiver \_\_\_\_\_  
Cable gland \_\_\_\_\_  
Mute Input \_\_\_\_\_

## Type Selection

Housing W x H x D	Ordering no. Receiver without timer	Ordering no. Emitter
25 x 65 x 81 PG 13.5 cable gland 1/2" NPT cable gland	<b>PMT 20R GM</b> <b>PMT 20R IM</b>	<b>PMT 20 GM</b> <b>PMT 20 IM</b>



## Specifications Emitter

<b>Rated operational volt. (<math>U_B</math>)</b> AC: 45 to 65 Hz	24 VDC $\pm$ 20% 24 VAC $\pm$ 20%
<b>Rated operational power</b>	$\leq$ 1 W (1.2 VA)
<b>Light source</b>	GaAlAs LED, 880 nm
<b>Light type</b>	Infrared, modulated
<b>Optical angle</b>	$\pm$ 2°
<b>Indication</b> Power supply ON	LED, green
<b>Output function</b>	Switch selectable, make or break switching

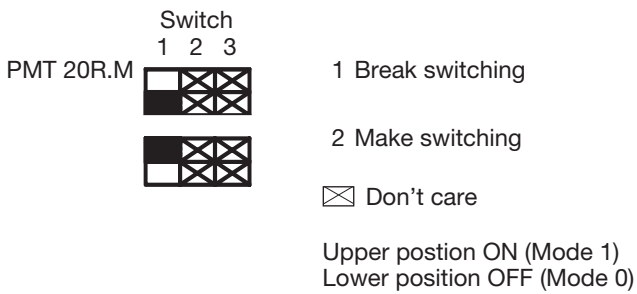
## Specifications Receiver

<b>Rated operational volt. (<math>U_B</math>)</b> AC: 45 to 65 Hz	24 VDC $\pm$ 20% 24 VAC $\pm$ 20%
<b>Rated operational power</b> (Relay ON)	$\leq$ 2 W (2.5 VA)
<b>Output</b> Contact ratings (AgCdO) Resistive loads Small inductive loads Mechanical life Electrical life	$\mu$ (micro gap) AC 1 3 A/250 VAC DC 1 3 A/30 VDC AC 15 2 A/250 VAC DC 13 3 A/30 VDC $\geq$ 40 x 10 <sup>6</sup> operations $\geq$ 5 x 10 <sup>5</sup> operations at 220 VAC - 3 A resistive load: 360 impulses/h
<b>Dielectric voltage</b>	2 kVAC (rms) (cont./supply)
<b>Sensitivity</b>	Adjustable, single turn pot.
<b>Optical angle</b>	$\pm$ 2°
<b>Rated operating dist. (<math>S_n</math>)</b> (0 to 5,000 lux)	20 m
<b>Operating frequency (f)</b>	20 Hz
<b>Response time</b> OFF-ON ( $t_{ON}$ ) ON-OFF ( $t_{OFF}$ )	$\leq$ 20 ms $\leq$ 20 ms
<b>Power ON delay (<math>t_v</math>)</b>	$\leq$ 300 ms (typ. 100 ms)
<b>Output function</b>	Mute function

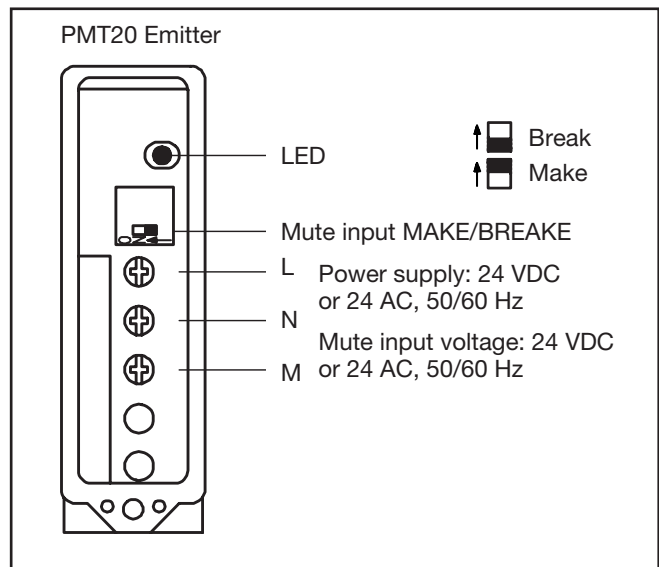
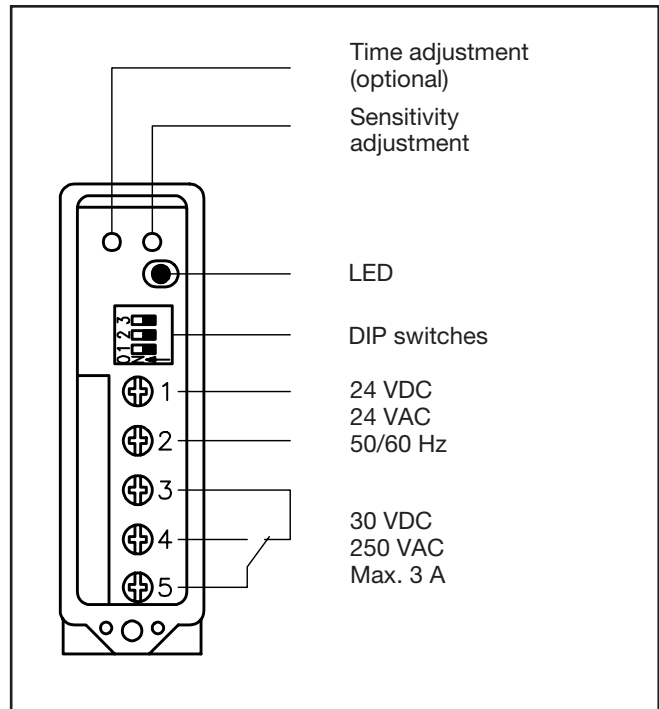
## General Specifications

<b>Environment</b>	
Overvoltage category	III (IEC 60664/60664A, 60947-1)
Pollution degree	3 (IEC 60664/60664A, 60947-1)
Degree of protection	IP 67 (IEC 60529, 60947-1)
<b>Temperature</b>	
Operating	-25° to +55°C (-13° to +131°F)
Storage	-30° to +80°C (-22° to +176°F)
<b>Vibration</b>	10 to 150 Hz, 0.5 mm/7.5 g (IEC 60068-2-6)
<b>Shock</b>	2 x 1 m & 100 x 0.5 m (IEC 60068-2-32)
<b>Housing material</b>	
Body	PC, grey, reinforced
Front	PC, black
Cover	PC, black
Cable gland	PA, black, reinforced
Mounting bracket	Steel, black
<b>Connection</b>	
Screw terminal	5 x 2 x 1 mm <sup>2</sup>
Cable gland	PG 13.5 or 1/2" NPT for cable 6 to 10 mm
<b>Weight</b>	
Emitter	110 g
Receiver	115 g
<b>UL-Approval</b>	 UL325, CSA-C22.2 No.247  UL508
<b>CE-marking</b>	Yes

## Selection of Function

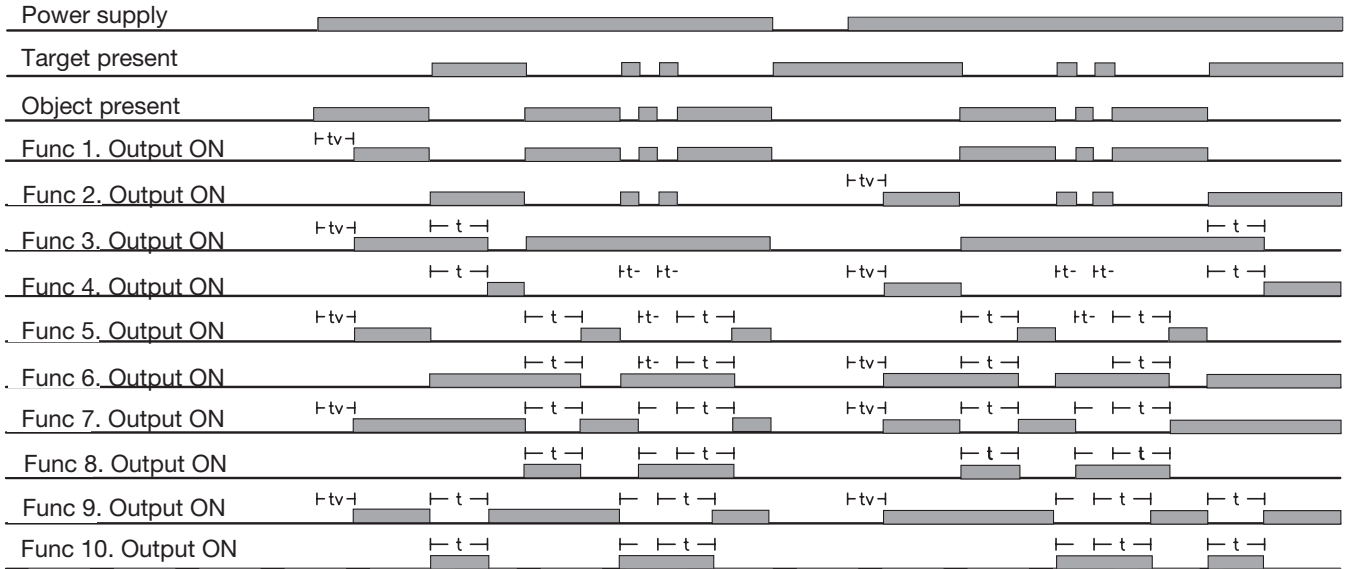


## Connection Diagram



## Operation Diagram

t = Time delay  
tv = Power ON delay



## Dimensions

