

PART NAME

NEMA PLASTIC BOX

PART No.

PN-1339, PN-1339-C AND PN-1339-DG

REVISION DATE

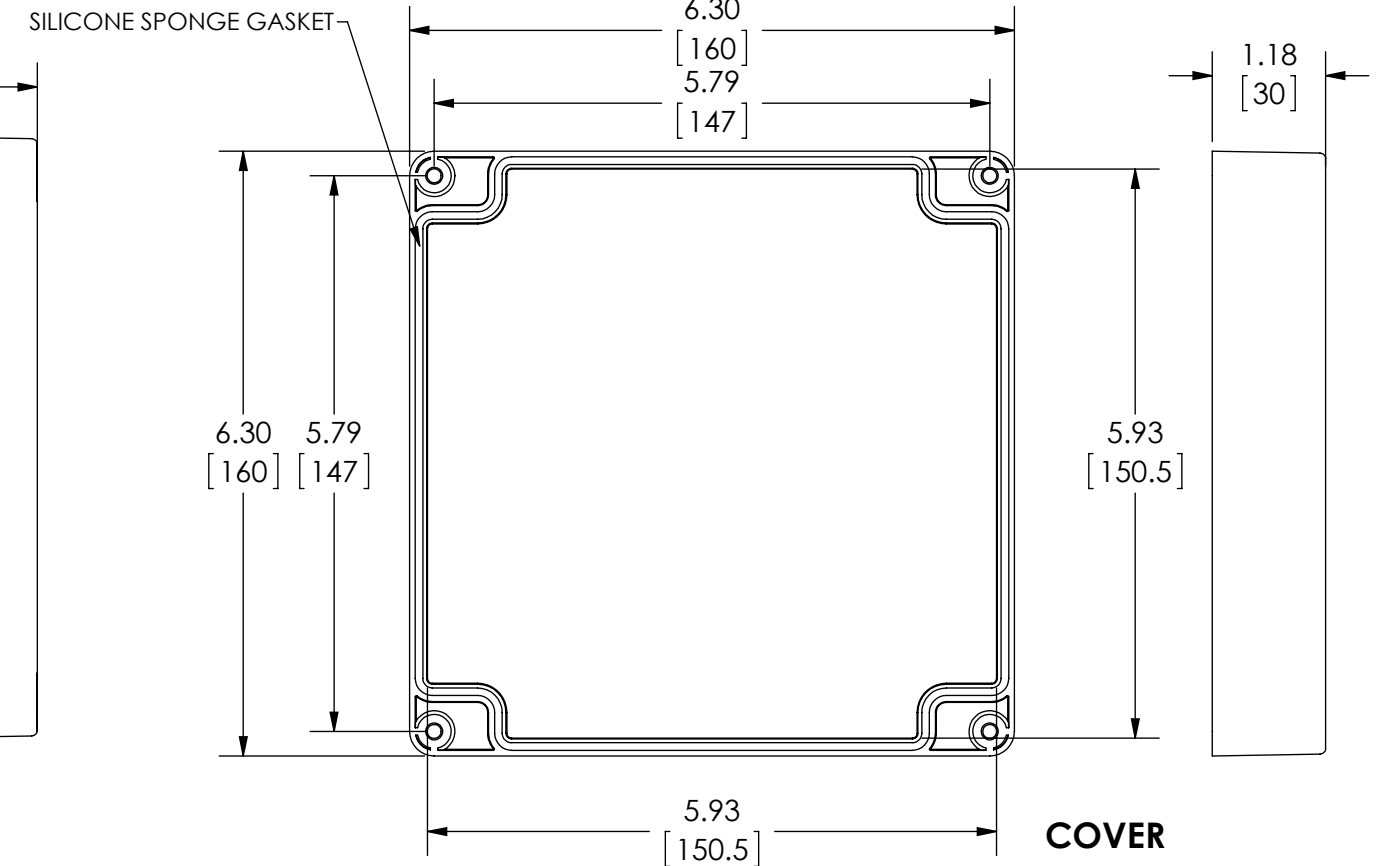
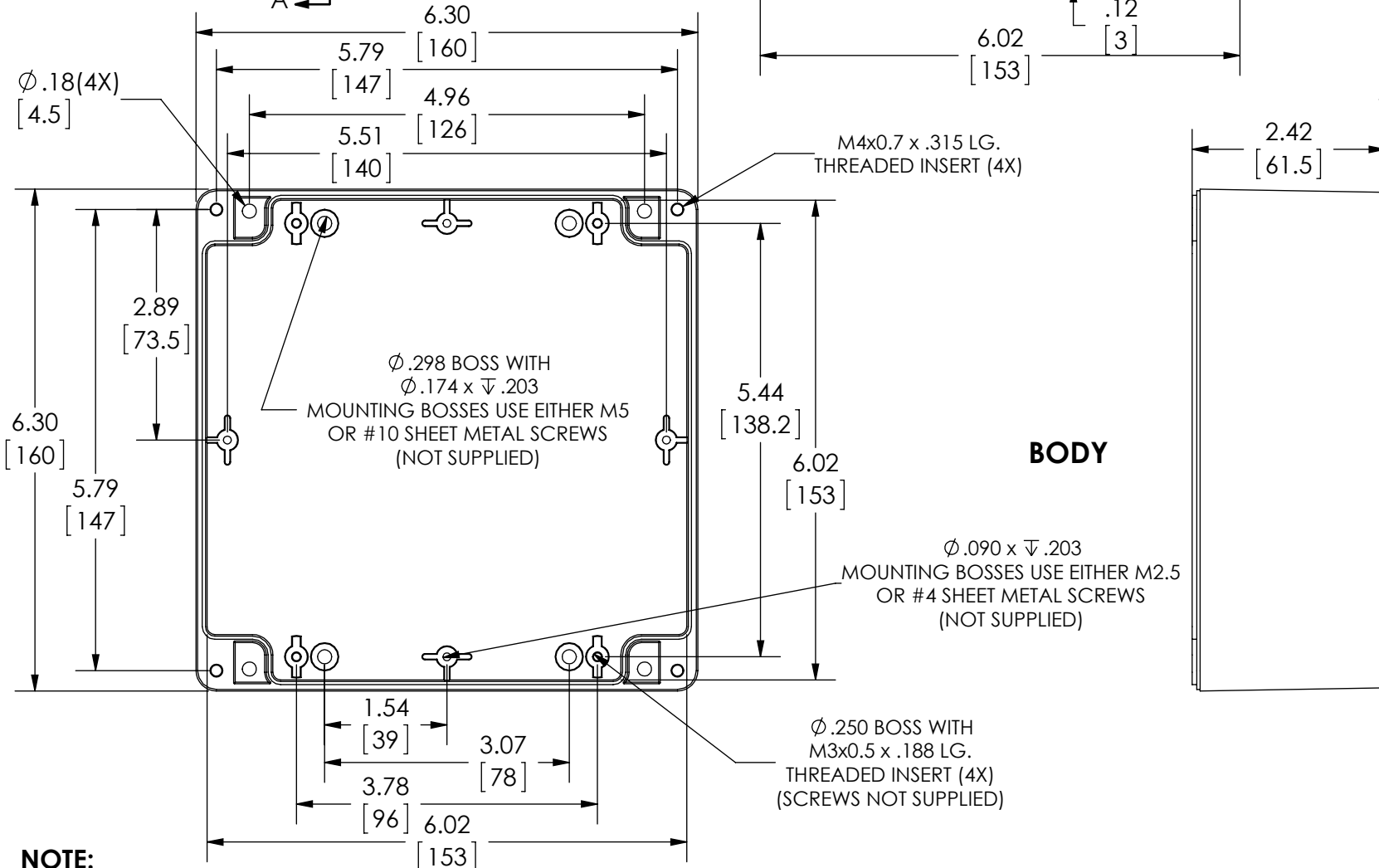
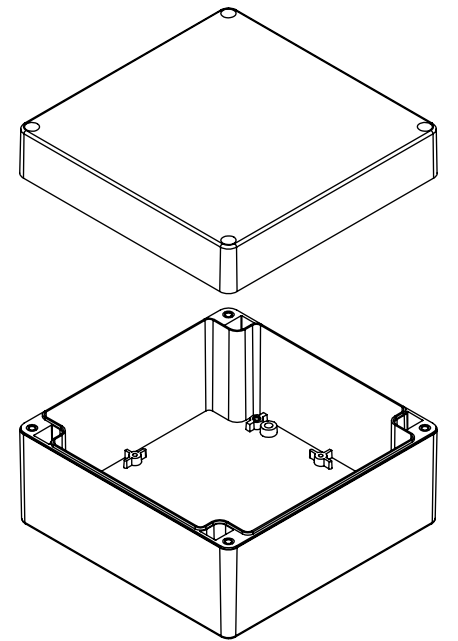
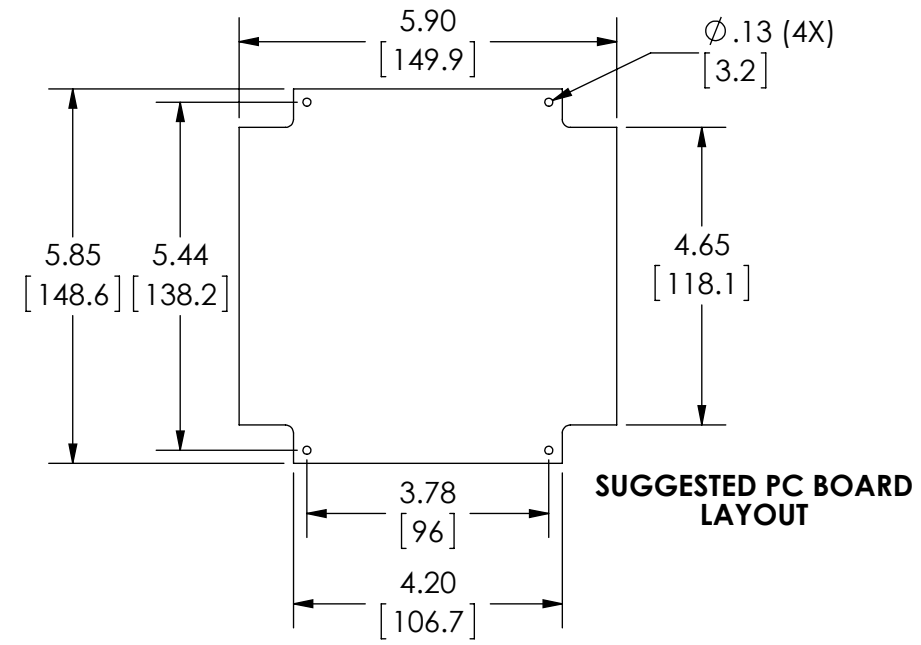
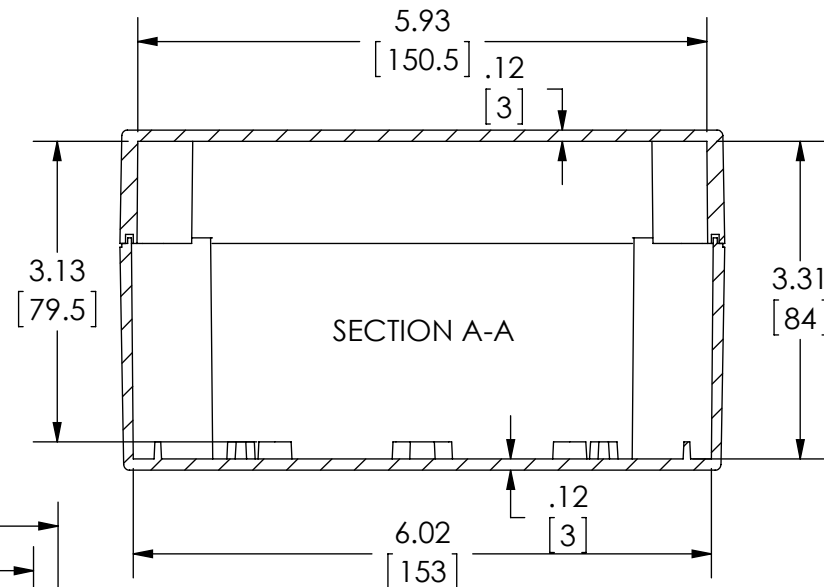
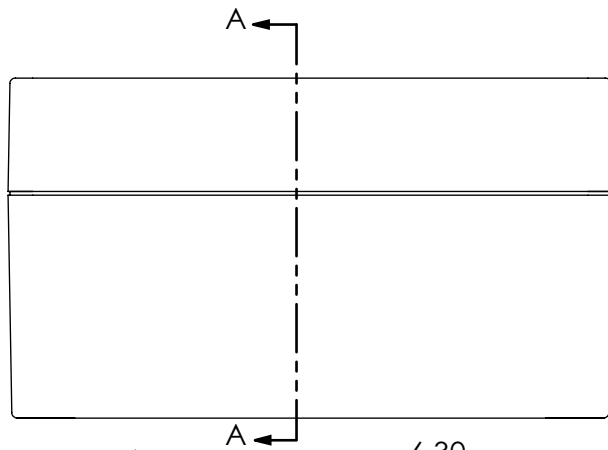
8-12-14

**POLYCARBONATE:**

LIGHT GRAY AND CLEAR  
 UL94-HB FLAMMABILITY RATING (UL FILE #E41613)  
 UV STABILIZED  
 SERVICE TEMPERATURE RANGE: -40°C TO +120°C

**ABS: (FOR INDOOR USE ONLY)**

DARK GRAY  
 UL94-HB FLAMMABILITY RATING (UL FILE #E56070)  
 SERVICE TEMPERATURE RANGE: -40°C TO +80°C



**NOTE:**

1. FOUR (4X) M4x0.7 x 20mm LG. STAINLESS STEEL MACHINE SCREWS SUPPLIED FOR ASSEMBLY
2. COVER MOUNTING SCREWS RECOMMENDED TORQUE: 8 IN./LB.
3. ALL DIMENSIONS HAVE +/- .039[+/-1] TOLERANCE
4. ALL OUTSIDE AND INSIDE DRAFT ANGLE: 1°

OPTIONAL ACCESSORIES:  
 PNX-91438 - OPTIONAL PANEL

NEMA 1,2,3,4,4X,12, AND 13 ENCLOSURE SPECIFICATIONS  
 DESIGNED TO IP65 OF IEC 529  
 UL LISTED

PART NUMBER	MATERIAL	BODY / COVER
PN-1339	LIGHT GRAY POLYCARBONATE	BODY & COVER
PN-1339-C	LIGHT GRAY PC	BODY / CLEAR PC COVER
PN-1339-DG	DARK GRAY HIGH-IMPACT ABS	BODY & COVER