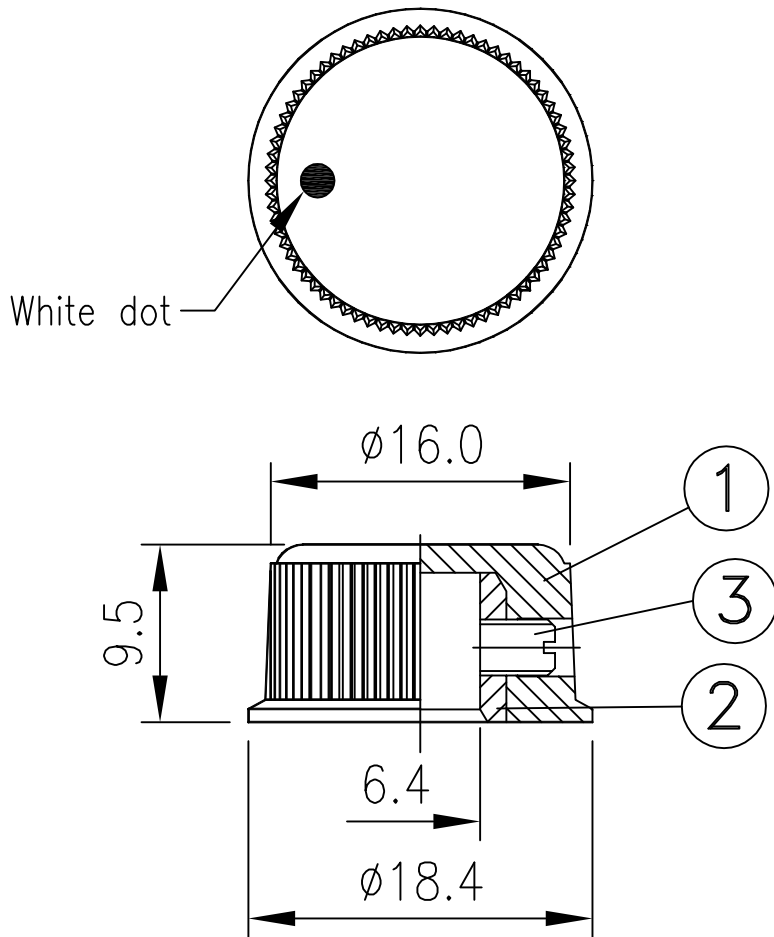


Date	Name	Description	No.
			△



TOLERANCE: ±0.3mm UNLESS OTHERWISE SPECIFIED.

3	Screw	1	Brass alloy	M3*P0.5*4L		
2	Metal insert	1	Brass alloy	ø8*7L*ø6.4		
1	Housing	1	PF			
No	Description	Q'ty	Material	Specification	Finish	Remark
Drawn	Checked	Approved	SCI BOM No.	Model Name	POINTER KNOBS	
袁浩徐			Customer No.	112-PN-23/6.4	Model No.	PN-23/6.4
03/04/20			Unit	mm	Shin Chin Industrial Co., Ltd.	
						Rev. X0