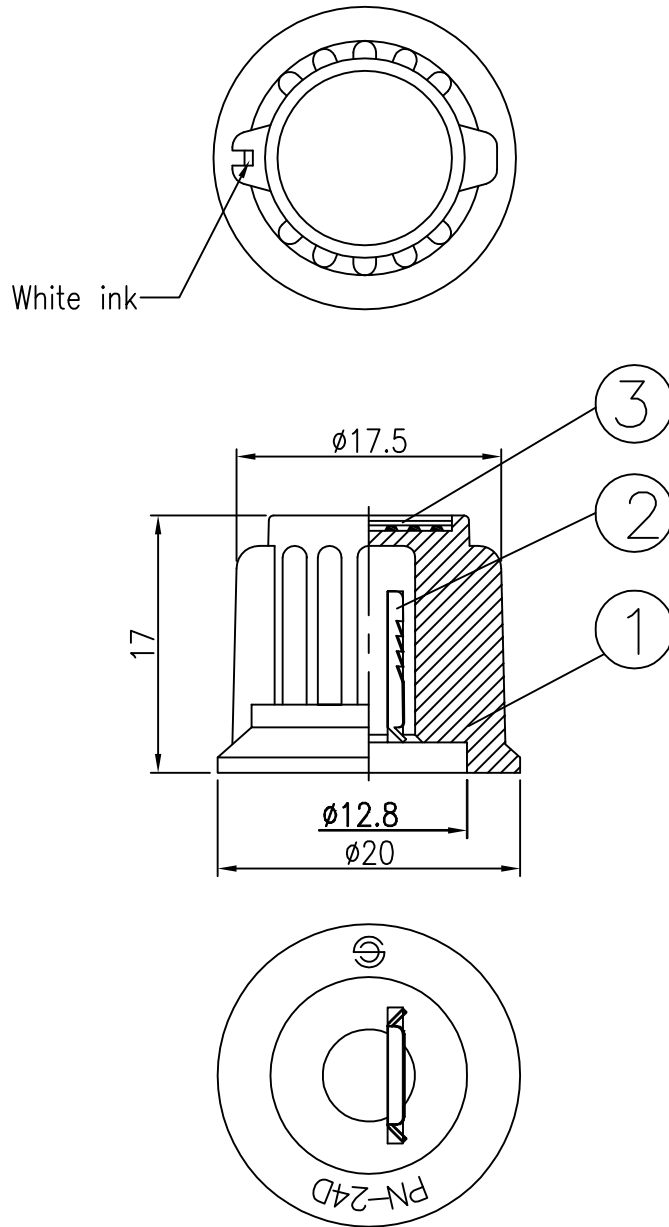


Date	Name	Description	No.
			△
			△



TOLERANCE:  $\pm 0.3\text{mm}$  UNLESS OTHERWISE SPECIFIED.

3	Plate	1	Al Plate	$\phi 11.0$ t=0.3			
2	Fixed strip	1	SUS 301	t=0.3			
1	Housing	1	ABS				
No	Description	Q'ty	Material	Specification	Finish	Remark	
Drawn	Checked	Approved	SCI BOM No.		Model Name	POINTER KNOBS	
袁浩徐			Customer No.	112-PN-24D/D	Model No.	PN-24D	Rev. X0
03/04/'20			Unit	mm	Shin Chin Industrial Co., Ltd.		