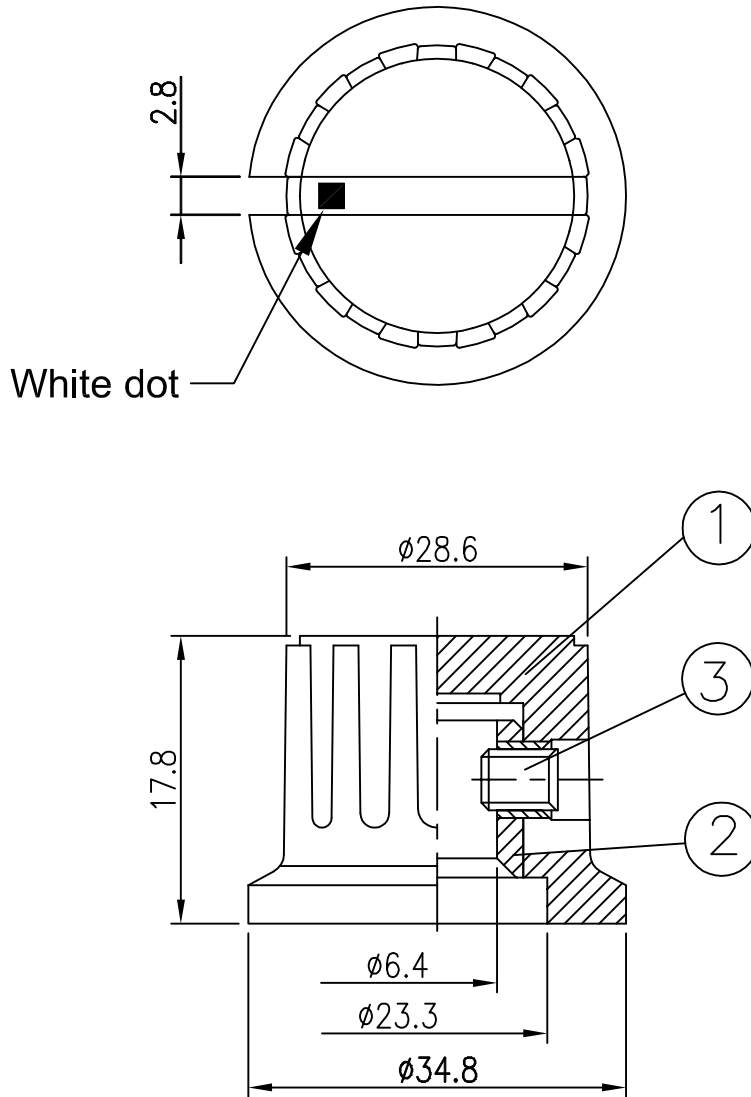


Date	Name	Description	No.
			△



Tolerances ± 0.3 Unless Otherwise Specified

3	Screw	1	Brass Alloy	M4*P0.7*8L		
2	Metal insert	1	Zinc Alloy	$\phi 9.2*8L*\phi 6.4$		
1	Housing	1	PF			
No	Description	Q'ty	Material	Specification	Finish	Remark
Drawn	Checked	Approved	SCI BOM No.	Model Name	POINTER KNOBS	
袁浩徐			Customer No.	112-PN-38A/6.4	Model No.	PN-8C(PN-38A)
03/05/20			Unit	mm	Shin Chin Industrial Co., Ltd.	

Rev. X0