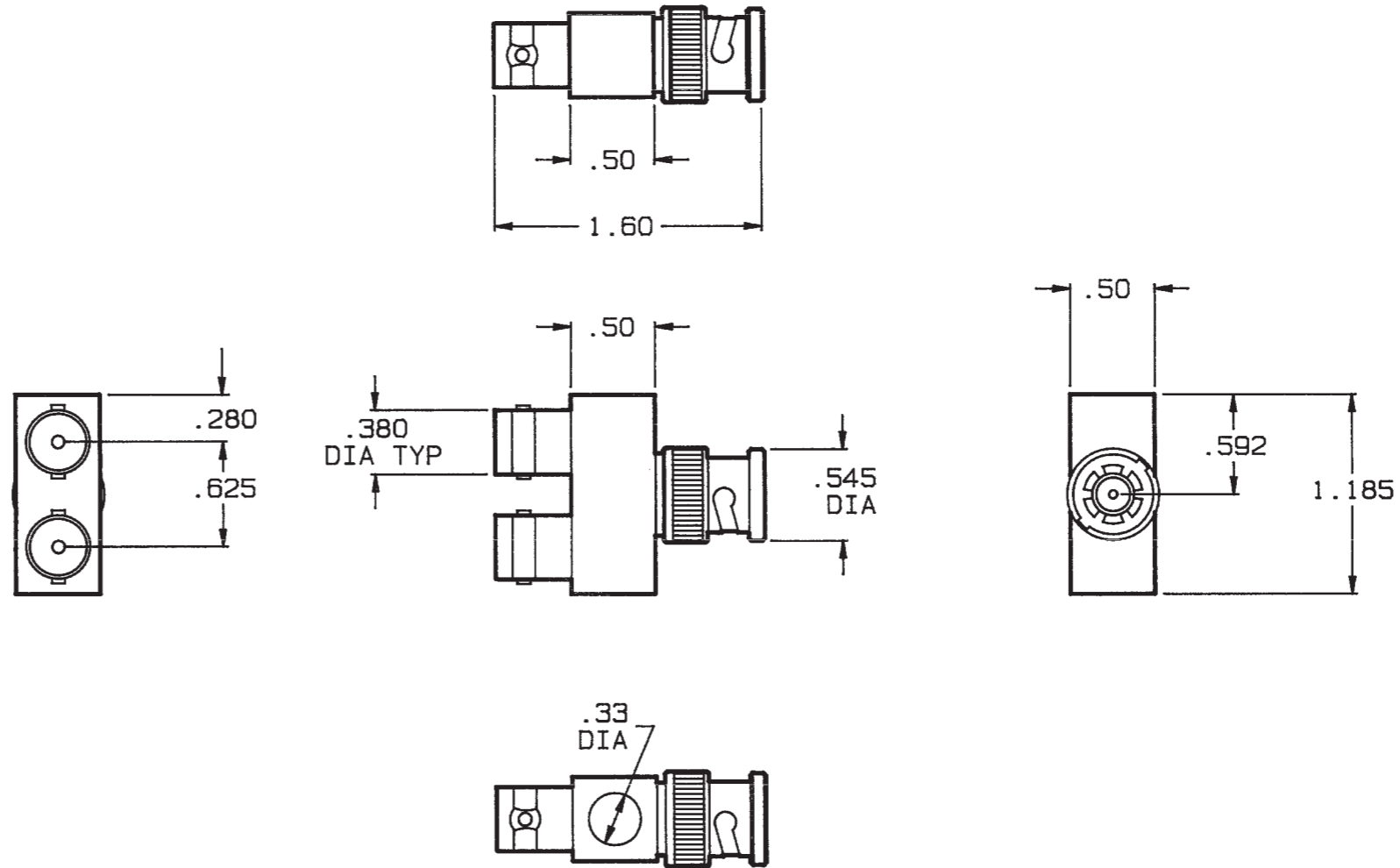
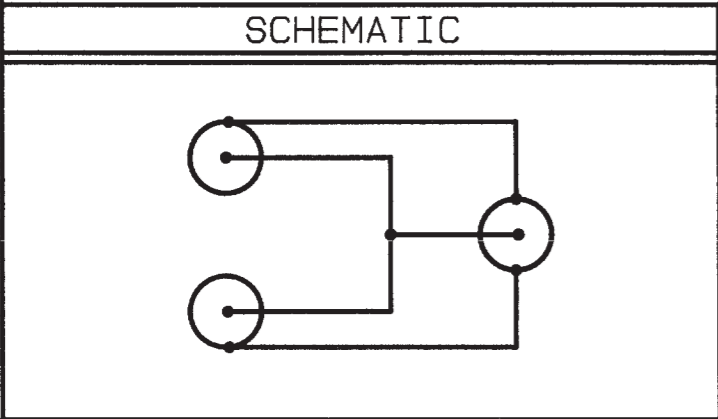


DISK # C10
 DWG SIZE B
 DATA CONTAINED IN THIS DOCUMENT IS PROPRIETARY TO TROMPETER ELECTRONICS INC. AND SHALL NOT BE DISCLOSED, COPIED OR USED FOR PROCUREMENT OR MANUFACTURE WITHOUT EXPRESS WRITTEN PERMISSION.

REVISIONS			1-0211		SH
REV	EO	DESCRIPTION	DWN	APPROVED	DATE
J	9927	DIM .33 WAS .31; DWG WAS 1000-0211; GENERAL UPDATE; REDRAWN	RWB	<i>[Signature]</i>	9-14-92



INCH	MM
.005	0.13
.06	1.52
.280	7.11
.33	8.38
.380	9.65
.50	12.70
.592	12.70
.625	15.88
1.185	30.10
1.60	40.64

3. FIXED BNC COAX NETWORK WITH TWO RECEPTACLES, AND ONE PLUG
2. FINISH: TFS-1A
1. ALL DIM ARE IN INCHES.

QTY	DESCRIPTION		PART NUMBER		ITEM			
TOL UNLESS SPECIFIED		TROMPETER RF connectivity <small>a cinch connectivity solutions brand</small>	PN2A					
.XX ± .06								
.XXX ± .005								
.XXXX ±								
ANGLES ±		DWN	RWB	9-1-92	MATERIAL	CODE IDENT	DRAWING NO.	REV
		CHK	<i>[Signature]</i>	9-9-92		14949	1-0211	J
		ENGR						
NEXT ASSY		APPR	<i>[Signature]</i>	9/11/92	SCALE 1/1	DATE 3-31-67	SHEET	