

PN5180A0xx/C1/C2

High-performance multi-protocol full NFC frontend,
supporting all NFC Forum modes

Rev. 3.6 — 7 May 2018
240936

Product data sheet
COMPANY PUBLIC

1 Introduction

This document describes the functionality and electrical specification of the high-power NFC IC PN5180A0HN/C1, PN5180A0ET/C1, PN5180A0HN/C2, PN5180A0ET/C2.

Additional documents supporting a design-in of the PN5180 are available from NXP, this information is not part of this document.



2 General description

PN5180, the best full NFC frontend on the market.

As a highly integrated high performance full NFC Forum-compliant frontend IC for contactless communication at 13.56 MHz, this frontend IC utilizes an outstanding modulation and demodulation concept completely integrated for different kinds of contactless communication methods and protocols.

The PN5180 ensures maximum interoperability for next generation of NFC enabled mobile phones. The PN5180 is optimized for point of sales terminal applications and implements a high-power NFC frontend functionality which allows to achieve EMV compliance on RF level without additional external active components.

The PN5180 frontend IC supports the following RF operating modes:

- Reader/Writer mode supporting ISO/IEC 14443 type A up to 848 kBit/s
- Reader/Writer communication mode for MIFARE Classic contactless IC
- Reader/Writer mode supporting ISO/IEC 14443 type B up to 848 kBit/s
- Reader/Writer mode supporting JIS X 6319-4 (comparable with FeliCa scheme)
- Supports reading of all NFC tag types (type 1, type 2, type 3, type 4A and type 4B)
- Reader/Writer mode supporting ISO/IEC 15693
- Reader/Writer mode supporting ISO/IEC 18000-3 Mode 3
- ISO/IEC 18092 (NFC-IP1)
- ISO/IEC 21481 (NFC-IP-2)
- ISO/IEC 14443 type A Card emulation up to 848 kBit/s

One host interface based on SPI is implemented:

- SPI interface with data rates up to 7 Mbit/s with MOSI, MISO, NSS and SCK signals
- Interrupt request line to inform host controller on events
- EEPROM configurable pull-up resistor on SPI MISO line
- Busy line to indicate to host availability of data for reading

The PN5180 supports highly innovative and unique features which do not require any host controller interaction. These unique features include Dynamic Power Control (DPC), Adaptive Waveform Control (AWC), Adaptive Receiver Control (ARC), and fully automatic EMD error handling. The independency of real-time host controller interactions makes this product the best choice for systems which operate a preemptive multi-tasking OS like Linux or Android.

As new power-saving feature the PN5180 allows using a general-purpose output to control an external LDO or DC/DC during Low-Power Card Detection. One general-purpose output is used to wake-up an LDO or DC/DC from power-saving mode before the RF field for an LPCD polling cycle is switched on.

The PN5180 supports an external silicon system-power-on switch by using the energy of the RF field generated by an NFC phone to switch on the system, like it is generated during the NFC polling loop. This unique and new Zero-Power-Wake-up feature allows designing systems with a power consumption close to zero during standby.

3 Features and benefits

- Transmitter current up to 250 mA
- Dynamic Power Control (DPC) for optimized RF performance, even under detuned antenna conditions
- Adaptive Waveform Control (AWC) automatically adjusts the transmitter modulation for RF compliancy
- Adaptive Receiver Control (ARC) automatically adjusts the receiver parameters for always reliable communication
- Includes NXP ISO/IEC14443 type A and Innovatron ISO/IEC14443 type B intellectual property licensing rights
- Full compliancy with all standards relevant to NFC, contactless operation and EMVCo
- Active load modulation supports smaller antenna in Card Emulation Mode
- Automatic EMD handling performed without host interaction relaxes the timing requirements on the Host Controller
- Low-power card detection (LPCD) minimizes current consumption during polling
- Automatic support of system LDO or system DC/DC power-down mode during LPCD
- Zero-Power-Wake-up
- Small, industry-standard packages
- NFC Cockpit: PC-based support tool for fast configuration of register settings
- Development kit with 32-bit NXP LPC1769 MCU and antenna
- NFC Reader Library with source code ready for EMVCo L1 and NFC Forum compliance

4 Applications

- Payment
- Physical-access
- eGov
- Industrial

5 Quick reference data

Table 1. Quick reference data

Symbol	Parameter	Conditions	Min	Typ	Max	Unit
V _{DD(VBAT)}	supply voltage on pin VBAT	-	2.7	3.3	5.5	V
V _{DD(PVDD)}	supply voltage on pin PVDD	1.8 V supply	1.65	1.8	1.95	V
		3.3 V supply	2.7	3.3	3.6	V
V _{DD(TVDD)}	supply voltage on pin TVDD	-	2.7	5.0	5.5	V
I _{pd}	power-down current	V _{DD(TVDD)} = V _{DD(PVDD)} =V _{DD(VDD)} 3.0 V; hard power-down; pin RESET_N set LOW, T _{amb} = 25 °C	-	10	-	μA
I _{stb}	standby current	T _{amb} = 25 °C	-	15	-	μA
I _{DD(TVDD)}	supply current on pin TVDD	-	-	180	250	mA
		limiting value	-	-	300	mA
T _{amb}	ambient temperature	in still air with exposed pins soldered on a 4 layer JEDEC PCB	-30	+25	+85	°C
T _{stg}	storage temperature	no supply voltage applied	-55	+25	+150	°C

6 Versions

All firmware versions smaller or equal to Version 3.9 are covered by this document.

Firmware versions larger than Version 3.9 are covered by a dedicated document.

Available firmware versions:

Version 3.4: Allows EMVCO 2.3.1 compliant EMD error handling

Version information:

- EEPROM address 0x12: 0x04
- EEPROM address 0x13: 0x03

Version 3.5: Allows EMVCO 2.5 compliant EMD error handling

Version information:

- EEPROM address 0x12: 0x05
- EEPROM address 0x13: 0x03

Changes of Version 3.5 compared to Version 3.4:

- The EMD_CONTROL register is updated to support EMVCo 2.5.
- Adaptive Waveform Control (AWC) implemented

Version 3.6: Automatic Receiver Control added

No silicon initialized with this firmware is available. Usage of this firmware requires an update by the user.

Version information:

- EEPROM address 0x12: 0x06
- EEPROM address 0x13: 0x03

Changes of Version 3.6 compared to Version 3.5:

- Accessible EEPROM top address is changed to 0xFE
- EEPROM functional assignment starting at address 0xD8
- EEPROM updates to support using GPO1 during LPCD card detect and GPIO2 during wake-up from standby
- Adaptive Receiver configuration (ARC) available: EEPROM table updates for receiver configuration
- Energy of external RF field can be used to operate an external system-power-on switch

Version 3.7: Not released

Version 3.8: Firmware version prepared for EMVCo 2.6

Changes of Version 3.6 compared to Version 3.8:

- EEPROM configuration for PLL_DEFAULT_SETTING (address 0x1C) had been updated with timer options and persistent testbus configuration added
- LDO_OUT pin is available for output of regulated 3.3V, configuration options added to SYSTEM_CONFIG register; SYSTEM_STATUS register is extended by bit LDO_TVDD_OK. THIS FEATURE CAN BE ENABLED ON ALL PN5180 PRODUCT

VERSIONS. PRODUCTION TEST OF THIS FEATURE IS PERFORMED ON PN5180A0HN/C3 AND PN5180A0ET/C3 ONLY.

- ACTIVE_MODE_TX_RF_ENABLE added to SYSTEM_CONFIG register
- The EMD block offers the possibility to stop and restart a CLIF Timer. This selection can be done via register. The firmware 3.8 allows usage of any timer (T0, T1 or T2) as CLIF timer.
- prepared for EMVCo. 2.6 digital compliancy

Version 3.9:

The DPC_XI can be configured in the RAM using SYSTEM_CONFIG, which is used along with the AGC_XI in EEPROM for AGC correction. The DPC_XI in RAM can be used using enable/disable bit in EEPROM. This allows to compensate a temperature shift of the AGC to improve the accuracy of the DPC. (The temperature can be measured externally by the host μ C.)

- SYSTEM_CONFIG register bits in range[12-19] are used to configure the 8bit DPC_XI value in RAM
- In EEPROM, Dynamic DPC_Xi RAM can be enabled/disabled using EEPROM Misc_Config, bit 5

7 Ordering information

Table 2. Ordering information

Type number	Package		
	Name	Description	Version
PN5180A0HN/C1E	HVQFN40	Firmware version 3.4. Plastic thermal enhanced very thin quad flat package; no leads; 40 terminals + 1 central ground; body 6 x 6 x 1.0 mm; delivered in one tray, bakable, MSL=3. Minimum order quantity = 490 pcs	SOT618-1
PN5180A0HN/C1Y	HVQFN40	Firmware version 3.4. Plastic thermal enhanced very thin quad flat package; no leads; 40 terminals + 1 central ground; body 6 x 6 x 1.0 mm; delivered on reel 13", MSL = 3. Minimum order quantity = 4000 pcs	SOT618-1
PN5180A0ET/C1QL	TFBGA64	Firmware version 3.4. Plastic thin fine-pitch ball grid array package; 64 balls, delivered in one tray, MSL = 1. Minimum order quantity = 490 pcs	SOT1336-1
PN5180A0ET/C1J	TFBGA64	Firmware version 3.4. Plastic thin fine-pitch ball grid array package; 64 balls, delivered on reel 13", MSL = 1. Minimum order quantity = 4000 pcs	SOT1336-1
PN5180A0HN/C2E	HVQFN40	Firmware version 3.5. Plastic thermal enhanced very thin quad flat package; no leads; 40 terminals + 1 central ground; body 6 x 6 x 1.0 mm; delivered in one tray, bakable, MSL=3. Minimum order quantity = 490 pcs	SOT618-1
PN5180A0HN/C2Y	HVQFN40	Firmware version 3.5. Plastic thermal enhanced very thin quad flat package; no leads; 40 terminals + 1 central ground; body 6 x 6 x 1.0 mm; delivered on reel 13", MSL = 3. Minimum order quantity = 4000 pcs	SOT618-1
PN5180A0ET/C2QL	TFBGA64	Firmware version 3.5. Plastic thin fine-pitch ball grid array package; 64 balls, delivered in one tray, MSL = 1. Minimum order quantity = 490 pcs	SOT1336-1
PN5180A0ET/C2J	TFBGA64	Firmware version 3.5. Plastic thin fine-pitch ball grid array package; 64 balls, delivered on reel 13", MSL = 1. Minimum order quantity = 4000 pcs	SOT1336-1

The PN5180 is not available with pre-installed firmware version 3.6, 3.7, 3.8 and 3.9

8 Marking

Table 3. Marking codes HVQFN40

Type number	Marking code
PN5180 (first engineering prototypes)	
Line A: These devices are intended for prototype development only,	PN51800 or PN5180A
Line B1:	"01... 01" or 6 characters: Diffusion Batch ID and assembly sequence ID
Line B2:	"FW 1.1" or "Z.1 01"
Line C: Engineering prototypes are marked "Product life cycle status code Before CQS": X	8 characters: diffusion and assembly location, date code, product version (indicated by mask version), product life cycle status. This line includes the following elements at 8 positions: <ol style="list-style-type: none"> 1. Diffusion center code 2. Assembly center code 3. RHF-2006 indicator 4. Year code (Y) 1) 5. Week code (W) 2) 6. Week code (W) 2) 7. Mask layout version 8. (Product life cycle status code "Before CQS") X
PN5180 (customer qualification samples)	
Line A:	PN5180A
Line B1:	6 characters: Diffusion Batch ID and assembly sequence ID
Line B2:	blank
Line C: Customer qualification samples are marked as CQS: X or Y	8 characters: diffusion and assembly location, date code, product version (indicated by mask version), product life cycle status. This line includes the following elements at 8 positions: <ol style="list-style-type: none"> 1. Diffusion center code 2. Assembly center code 3. RHF-2006 indicator 4. Year code (Y) 1) 5. Week code (W) 2) 6. Week code (W) 2) 7. Mask layout version 8. (Product life cycle status code "CQS"): X or Y
PN5180A0HN (released for sale: volume production)	
Line A:	PN5180A
Line B1:	6 characters: Diffusion Batch ID
Line B2:	Assembly sequence ID, example ".1 04"

Type number	Marking code
<p>Line C: Release for sale products do not show any X or Y, instead position 8 is left blank</p>	<p>8 characters: diffusion and assembly location, date code, product version (indicated by mask version), product life cycle status. This line includes the following elements at 8 positions:</p> <ol style="list-style-type: none"> 1. Diffusion center code 2. Assembly center code 3. RHF-2006 indicator 4. Year code (Y) 1) 5. Week code (W) 2) 6. Week code (W) 2) 7. Mask layout version 8. (Product life cycle status "release for sale"): blank

Note that the Firmware of the product PN5180 can be updated. Due to the update capability, the marking of the package does not allow identifying the installed version of the actual programmed firmware. The firmware version can be retrieved from address 0x12 in EEPROM.

8.1 Package marking drawing

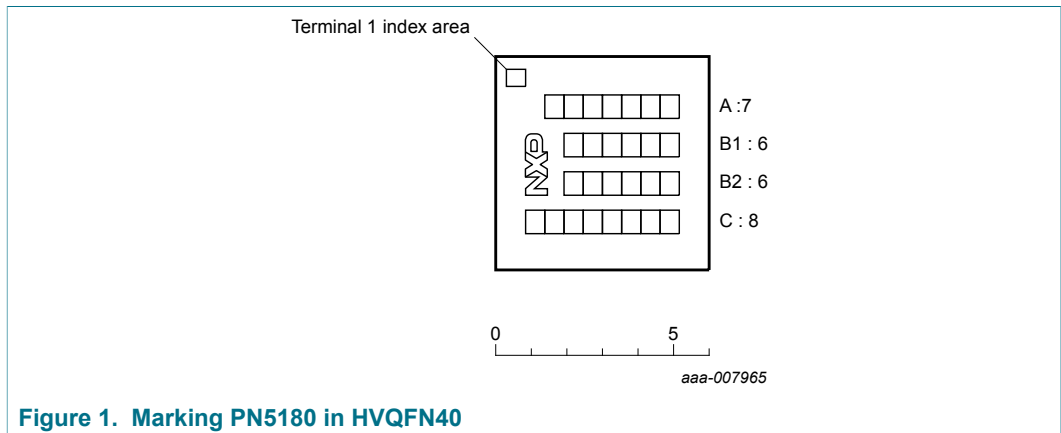
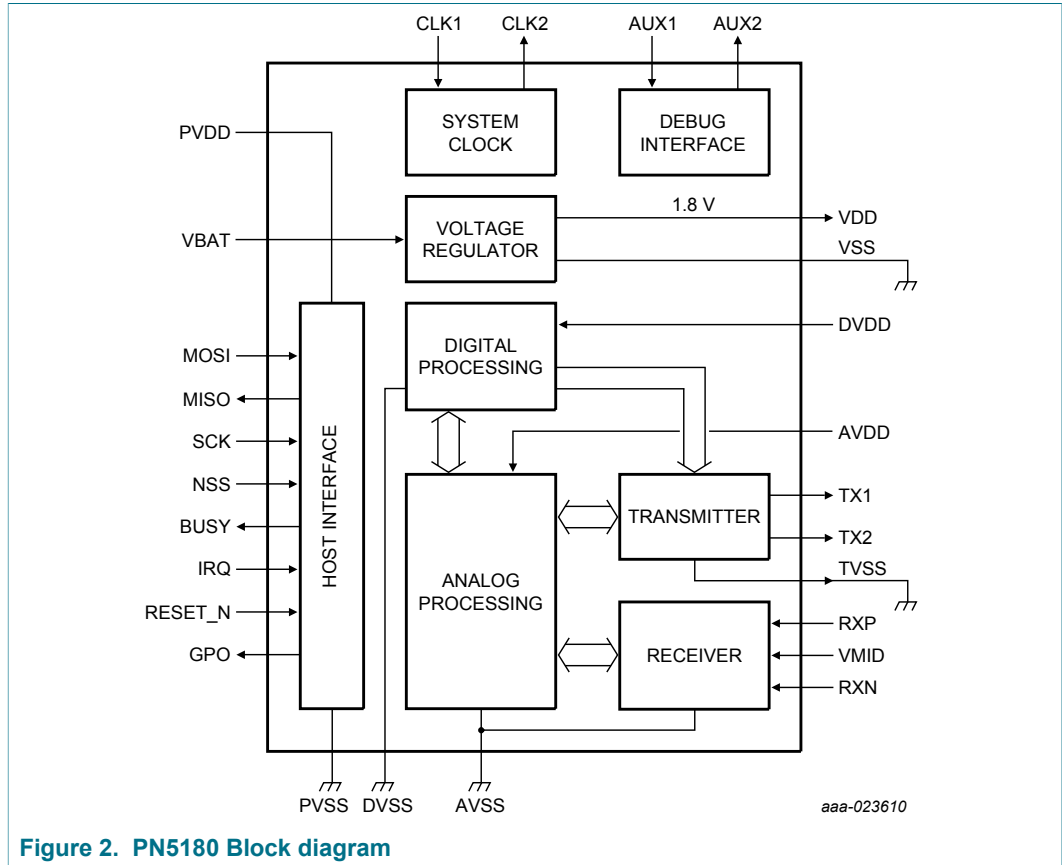


Figure 1. Marking PN5180 in HVQFN40

The Marking of the TFBGA version can be found in the data sheet addendum which is available through the NXP DocStore.

9 Block diagram



10 Pinning information

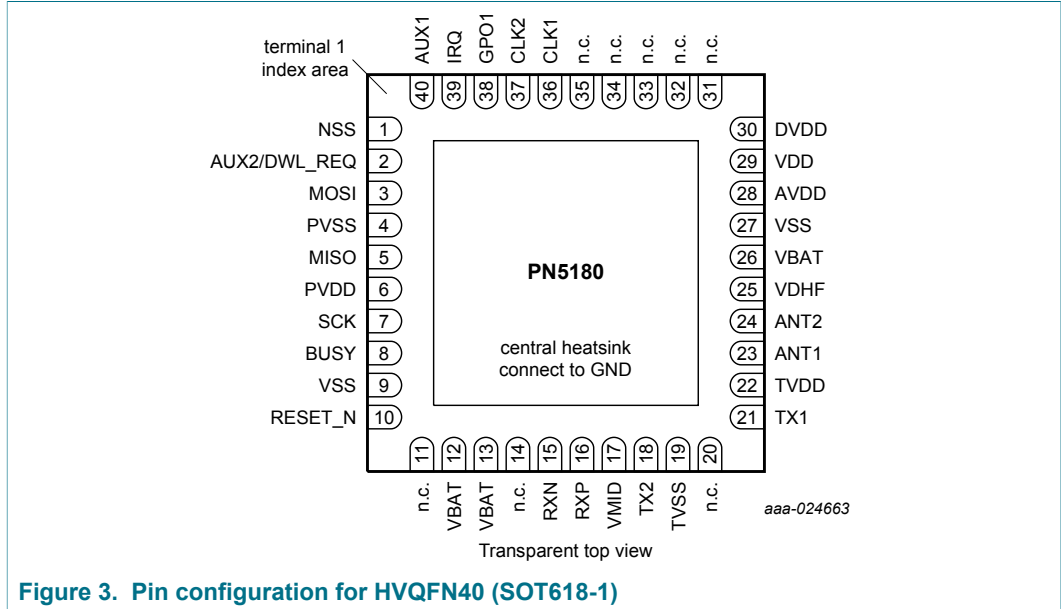


Figure 3. Pin configuration for HVQFN40 (SOT618-1)

10.1 Pin description

Table 4. Pin description HVQFN40

Symbol	Pin	Type	Description
NSS	1	I	SPI NSS
AUX2 / DWL_REQ	2	I/O	Analog test bus or Download request
MOSI	3	I	SPI MOSI
PVSS	4	supply	Pad ground
MISO	5	O	SPI MISO
PVDD	6	supply	Pad supply voltage
SCK	7	I	SPI Clock
BUSY	8	O	Busy signal
VSS	9	supply	Ground
RESET_N	10	I	RESET, Low active
n.c.	11	-	leave unconnected, do not ground
VBAT	12	supply	Supply Connection, all VBAT mandatory to be connected
VBAT	13	supply	Supply Connection, all VBAT mandatory to be connected
nc / LDO_OUT	14	O	leave unconnected, do not ground / use as 3.3V LDO output
RXN	15	I	Receiver Input
RXP	16	I	Receiver Input
VMID	17	supply	Stabilizing capacitor connection output

Symbol	Pin	Type	Description
TX2	18	O	Antenna driver output 2
TVSS	19	supply	Antenna driver ground
n.c.	20	-	leave unconnected, do not ground
TX1	21	O	Antenna driver output 1
TVDD	22	supply	Antenna driver supply
ANT1	23	I	Antenna connection 1 for load modulation in card emulation mode (only in case of PLM)
ANT2	24	I	Antenna connection 2 for load modulation in card emulation mode (only in case of PLM)
VDHF	25	supply	Stabilizing capacitor connection output
VBAT	26	supply	Supply Connection, all VBAT mandatory to be connected
VSS	27	supply	Ground
AVDD	28	supply	Analog VDD supply voltage input (1.8 V), connected to VDD
VDD	29	supply	VDD output (1.8 V)
DVDD	30	supply	Digital supply voltage input (1.8 V), connected to VDD
n.c.	31	-	leave unconnected, do not ground
n.c.	32	-	leave unconnected, do not ground
n.c.	33	-	leave unconnected, do not ground
n.c.	34	-	leave unconnected, do not ground
n.c.	35	-	leave unconnected, do not ground
CLK1	36	I	Clock input for crystal. This pin is also used as input for an external generated accurate clock (8 MHz, 12 MHz, 16 MHz, 24 MHz, other clock frequencies not supported)
CLK2	37	O	Clock output (amplifier inverted signal output) for crystal
GPO1	38	O	(double function pin) GPO1, Digital output 1
IRQ	39	O	Interrupt request output, active level configurable
AUX1	40	O	Analog/Digital Test signal

The central heatsink of the HVQFN40 package shall be connected to Ground.

The pinning of the TFBGA version can be found in the data sheet addendum which is available through the NXP DocStore.

11 Functional description

11.1 Introduction

The PN5180 is a High-Power NFC frontend. It implements the RF functionality like an antenna driving and receiver circuitry and all the low-level functionality to realize an NFC Forum-compliant reader. The PN5180 connects to a host microcontroller with a SPI interface for configuration, NFC data exchange and high-level NFC protocol implementation.

The PN5180 allows different supply voltages for NFC drivers, internal supply and host interface providing a maximum of flexibility.

The chip supply voltage and the NFC driver voltage can be chosen independently from each other.

The PN5180 uses an external 27.12 MHz crystal as clock source for generating the RF field and its internal digital logic. In addition, an internal PLL allows using an accurate external clock source of either 8, 12, 16, 24 MHz. This saves the 27.12 MHz crystal in systems which implement one of the mentioned clock frequencies (e.g. for USB or system clock).

Two types of memory are implemented in the PN5180: RAM and EEPROM.

Internal registers of the PN5180 state machine store configuration data. The internal registers are reset to initial values in case of PowerON, and Hardware-reset and standby.

The RF configuration for dedicated RF protocols is defined by EEPROM data which is copied by a command issued from the host microcontroller - LOAD_RF_CONFIG- into the registers of the PN5180. The PN5180 is initialized with EEPROM data for the LOAD_RF_CONFIG command which has been tested to work well for one typical antenna. For customer-specific antenna sizes and dedicated antenna environment conditions like metal or ferrite, the pre-defined EEPROM settings can be modified by the user. This allows users to achieve the maximum RF performance from a given antenna design. It is mandatory to use the command LOAD_RF_CONFIG for the selection of a specific RF protocol.

The command LOAD_RF_CONFIG initializes the registers faster compared to individual register writes.

11.2 Power-up and Clock

11.2.1 Power Management Unit

11.2.1.1 Supply Connections and Power-up

The Power Management Unit of the PN5180 generates internal supplies required for operation.

The following pins are used to supply the IC:

- PVDD - supply voltage for the SPI interface and control connections
- VBAT - Supply Voltage input

- TVDD - Transmitter supply
- AVDD - Analog supply input, connected to VDD
- DVDD - Digital supply input, connected to VDD
- VDD - 1.8 V output, to be connected to AVDD and DVDD

Decoupling capacitors shall be placed as close as possible to the pins of the package. Any additional filtering/damping of the transmitter supply, e.g. by ferrite beads, might have an impact on the analog RF signal quality and shall be monitored carefully.

Power-up sequence of the PN5180

- First ramp VBAT, PVDD can immediately follow, latest 2 ms after VBAT reaches 1.8 V.
- There is no timing dependency on TVDD, only that TVDD shall rise equal or later to VBAT.
- VBAT must be equal or higher than PVDD
- TVDD has no other relationship to VBAT or PVDD

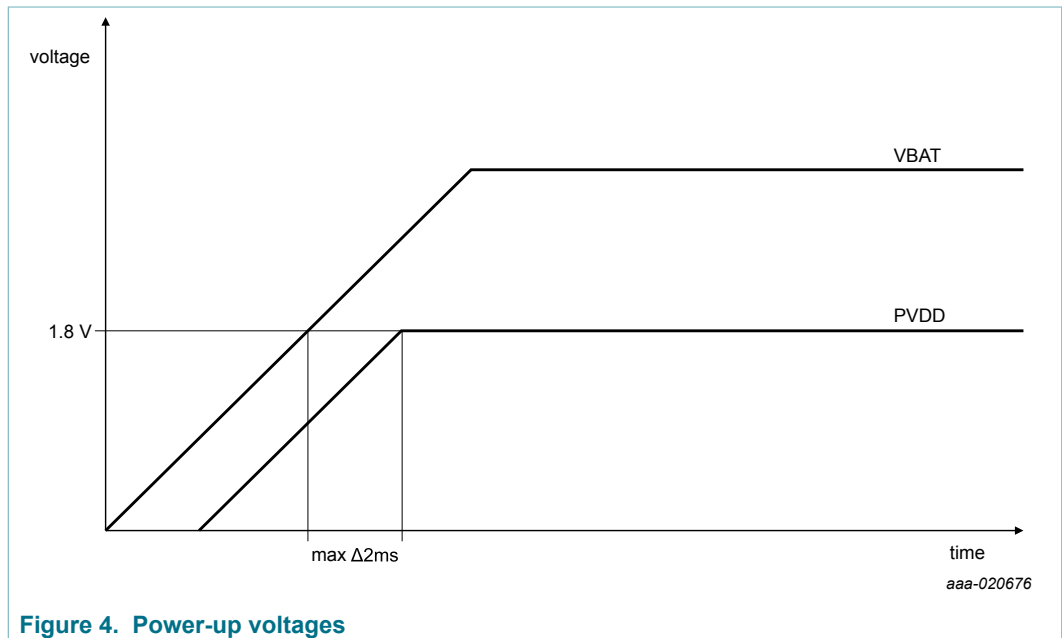


Figure 4. Power-up voltages

After power-up, the PN5180 is indicating the ability to receive command from a host microcontroller by an IDLE IRQ.

There are configurations in EEPROM, which allow to specify the behavior of the PN5180 after start-up. LPCD (Low-power card detection) and DPC (dynamic power control) are functionalities which are configurable in EEPROM.

11.2.1.2 Power-down

A hard power-down is enabled with LOW level on pin RESET_N. This low level puts the internal voltage regulators for the analog and digital core supply as well as the oscillator in a low-power state. All digital input buffers are separated from the input pads and clamped internally (except pin RESET_N itself). IRQ, BUSY, AUX1, AUX2 have an internal pull down resistor which is activated on RESET_N ==0. All other output pins are switched to high impedance.

To leave the power-down mode, the level at the pin RESET_N has to be set to HIGH. This high level starts the internal start-up sequence from Power-Down.

11.2.1.3 Standby

The standby mode is entered immediately after sending the instruction SWITCH_MODE with standby command. All internal current sinks are set to low-power state.

In opposition to the power-down mode, the digital input buffers are not separated by the input pads and keep their functionality. The digital output pins do not change their state.

During standby mode, all registers values, the buffer content and the configuration itself are not kept, exceptions are the registers with addresses 05h(PADCONFIG), 07h(PADOUT) 25h (TEMP_CONTROL). To leave the standby mode, various possibilities do exist. The conditions for wake-up are configured in the register STBY_CFG.

- Wake-up via Timer
- Wake-up via RF level detector
- Low Level on RESET_N
- PVDD disappears

Any host communication (data is not validated) triggers the internal start-up sequence. The reader IC is in operation mode when the internal start-up sequence is finalized, and is indicating this by an IDLE IRQ.

11.2.1.4 Temperature Sensor

The PN5180 implements a configurable temperature sensor. The temperature sensor is configurable by the TEMP_CONTROL register (25h).

The Temperature Sensor supports temperature settings for 85 °C, 115 °C, 125 °C and 135 °C.

In case the sensed device temperature is higher than configured, a TEMPSSENS_ERROR IRQ is raised. In case of an TEMPSSENS_ERROR, the Firmware is switching off the RF Field. Additionally host can set the device into standby as response to the raised IRQ.

In case the sensed device temperature is higher than the configured, FW is automatically switching off the RF field in-order to protect the TX drivers and sets the TEMPSSENS_ERROR_IRQ_STAT in the IRQ_STATUS register to 1.

The host can either poll on the TEMPSSENS_ERROR_IRQ_STAT or enable the bit TEMPSSENS_ERROR_IRQ_EN in IRQ_ENABLE register to get an interrupt on the IRQ pin.

In addition, the host can set the device into standby based on the TEMPSSENS_ERROR_IRQ_STAT.

This feature is enabled by default. Only the interrupt can be enabled / disabled via the IRQ_ENABLE register

11.2.2 Reset and start-up time

A constant low level of at least 10 μ s at the RESET_N pin starts the internal reset procedure.

When the PN5180 has finished the start_up, a IDLE_IRQ is raised and the IC is ready to receive commands on the host interface.

11.2.3 Clock concept

The PN5180 is supplied by an 27.12 MHz crystal for operation. In addition, the internal PLL uses an accurate external clock source of either 8, 12, 16, 24 MHz instead of the crystal.

The clock applied to the PN5180 provides a time basis for the RF encoder and decoder. The stability of the clock frequency, is an important factor for correct operation. To obtain optimum performance, clock jitter must be reduced as much as possible. Optimum performance is best achieved using the internal oscillator buffer with the recommended circuitry.

In card emulation mode, the clock is also required.

If an external clock source of 27.12 MHz is used instead of a crystal, the clock signal must be applied to pin CLK1. In this case, special care must be taken with the clock duty cycle and clock jitter (see [Table 137](#)).

The crystal is a component which is impacting the overall performance of the system. A high-quality component is recommended here. The resistor RD1 reduces the start-up time of the crystal. A short start-up time is especially desired in case the Low-Power card detection is used. The values of these resistors depend on the crystal which is used.

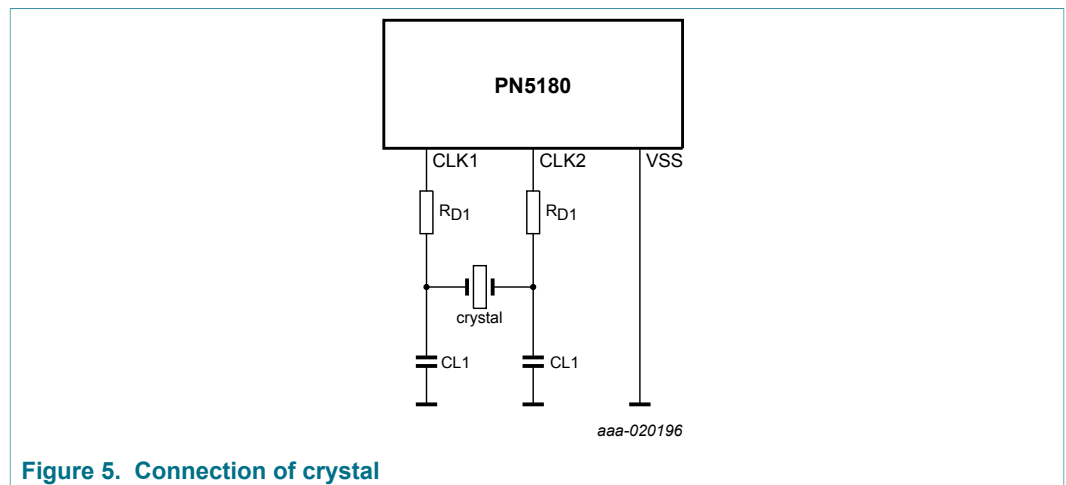


Figure 5. Connection of crystal

11.3 Timer and Interrupt system

11.3.1 General Purpose Timer

The Timers are used to measure certain intervals between certain configurable events of the receiver, transmitter and other RF-events. The timer signals its expiration by raising a flag and the value of the timer may be accessed via the register-set.

Three general-purpose timers T0, T1, and T2 running with the PN5180 clock with several start conditions, stop conditions, time resolutions, and maximal timer periods are implemented.

For automatic timeout handling during MIFARE Classic Authentication Timer2 is blocked during this operation.

In case EMVCo EMD handling is enabled (EMD_CONTROL register (address 0028h), bit EMD_ENABLE) Timer1 is automatically restarted when an EMD event occurs.

Timers T0 to T2 has a resolution of 20 bits and may be operated at clock frequencies derived from the 13.56 MHz system clock. Several start events can be configured: start now, start on external RF-field on/off and start on Rx (receive)/Tx (transmit) started/ended. The timers allow reload of the counter value. At expiration of the timers, a flag is raised and an IRQ is triggered.

The clock may be divided by a prescaler for frequencies of:

- 6.78 MHz
- 3.39 MHz
- 1.70 MHz
- 848 kHz
- 424 kHz
- 212 kHz
- 106 kHz
- 53 kHz

11.3.2 Interrupt System

11.3.2.1 IRQ PIN

The IRQ_ENABLE configures, which of the interrupts are routed to the IRQ pin of the PN5180. All of the interrupts can be enabled and disabled independent from each other. The IRQ on the pin can either be cleared by writing to the IRQ_CLEAR register or by reading the IRQ_STATUS register (EEPROM configuration). If not all enabled IRQ's are cleared, the IRQ pin remains active.

The polarity of the external IRQ signal is configured by EEPROM in IRQ_PIN_CONFIG (01Ah).

11.3.2.2 IRQ_STATUS Register

The IRQ_STATUS register contains the status flags. The status flags cannot be disabled. Status Flag can either be cleared by writing to the IRQ_CLEAR register or when the IRQ_STATUS register is read (EEPROM configuration)

The PN5180 indicates certain events by setting bits in the register GENERAL_IRQ_STATUS and additionally, if activated, on the pin IRQ.

LPCD_IRQ, GENERAL_ERROR_IRQ and HV_ERROR_IRQ are non-maskable interrupts.

11.4 SPI Host Interface

The following description of the SPI host interface is valid for the NFC operation mode. The Secure Firmware Download mode uses a different physical host interface handling. Details are described in chapter 12.

11.4.1 Physical Host Interface

The interface of the PN5180 to a host microcontroller is based on a SPI interface, extended by signal line BUSY. The maximum SPI speed is 7 Mbps and fixed to CPOL = 0 and CPHA = 0. Only a half-duplex data transfer is supported. There is no chaining allowed, meaning that the whole instruction has to be sent or the whole receive buffer has to be read out. The whole transmit buffer shall be written at once as well. No NSS assertion is allowed during data transfer.

As the MISO line is per default high-ohmic in case of NSS high, an internal pull-up resistor can be enabled via EEPROM.

The BUSY signal is used to indicate that the PN5180 is not able to send or receive data over the SPI interface.

The host interface is designed to support the typical interface supply voltages of 1.8 V and 3.3 V of CPUs. A dedicated supply input which defines the host interface supply voltage independent from other supplies is available (PVDD). Only a voltage of 1.8 V or 3.3 V is supported, but no voltage in the range of 1.95 V to 2.7 V.

- Master In Slave Out (MISO)

The MISO line is configured as an output in a slave device. It is used to transfer data from the slave to the master, with the most significant bit sent first. The MISO signal is put into 3-state mode when NSS is high.

- Master Out Slave In (MOSI)

The MOSI line is configured as an input in a slave device. It is used to transfer data from the master to a slave, with the most significant bit sent first.

- Serial Clock (SCK)

The serial clock is used to synchronize data movement both in and out of the device through its MOSI and MISO lines.

- Not Slave Select (NSS)

The slave select input (NSS) line is used to select a slave device. It shall be set to low before any data transaction starts and must stay low during the transaction.

- Busy

During frame reception, the BUSY line goes ACTIVE and goes to IDLE when PN5180 is able to receive a new frame or data is available (depending if SET or GET frame is issued). If there is a parameter error, the IRQ is set to ACTIVE and a GENERAL_ERROR_IRQ is set.

Both master and slave devices must operate with the same timing. The master device always places data on the MOSI line a half cycle before the clock edge SCK, in order for the slave device to latch the data.

The BUSY line is used to indicate that the system is BUSY and cannot receive any data from a host. Recommendation for the BUSY line handling by the host:

1. Assert NSS to Low
2. Perform Data Exchange
3. Wait until BUSY is high
4. Deassert NSS
5. Wait until BUSY is low

In order to write data to or read data from the PN5180, "dummy reads" shall be performed. The [Figure 8](#) and [Figure 9](#) are illustrating the usage of this "dummy reads" on the SPI interface.

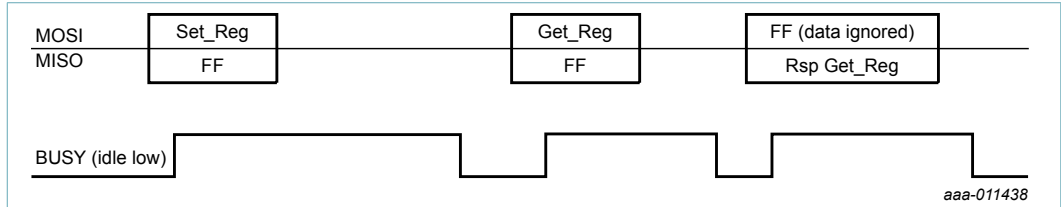


Figure 6. Read RX of SPI data using BUSY line

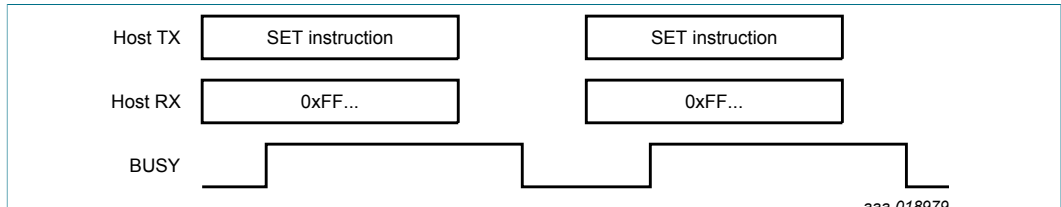


Figure 7. Writing data to the PN5180

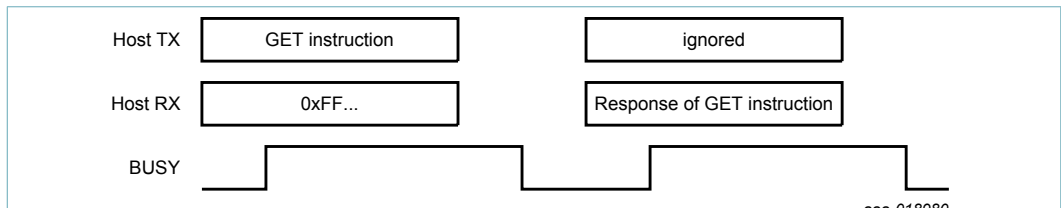


Figure 8. Reading data from the PN5180

11.4.2 Timing Specification SPI

The timing condition for SPI interface is as follows:

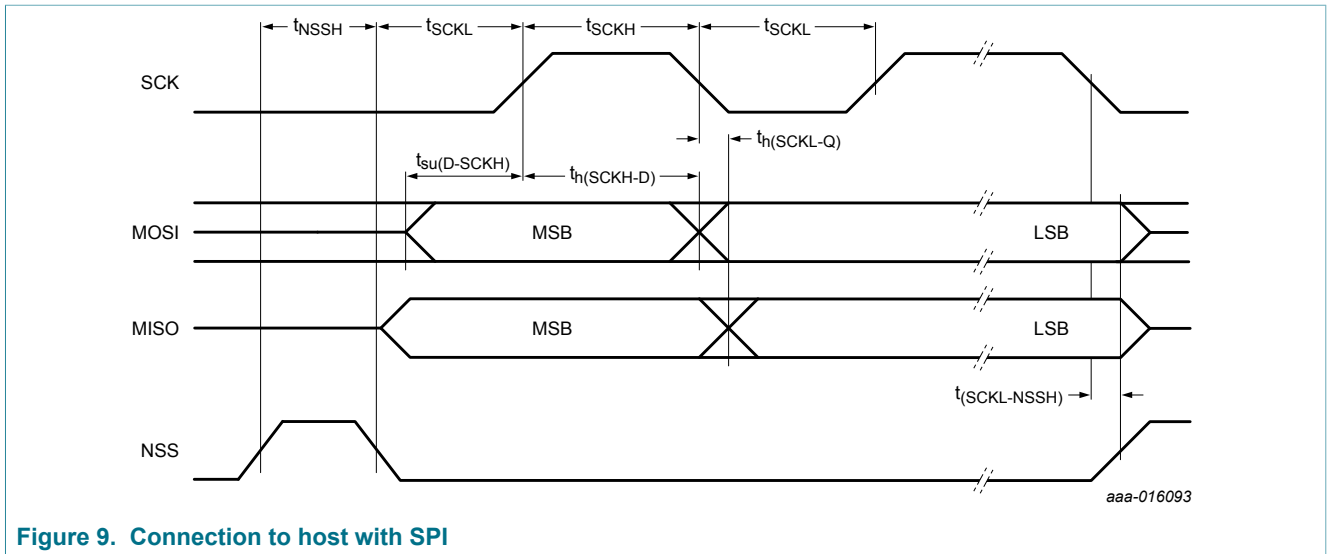


Figure 9. Connection to host with SPI

Remark: To send more bytes in one data stream, the NSS signal must be LOW during the send process. To send more than one data stream, the NSS signal must be HIGH between each data stream. Any data available to be read from the SPI interface is indicated by the BUSY signal de-asserted.

11.4.3 Logical Host Interface

11.4.3.1 Host Interface Command

A Host Interface Command consists of either 1 or 2 SPI frames depending whether the host wants to write or read data from the PN5180. An SPI Frame consists of multiple bytes.

The protocol used between the host and the PN5180 uses 1 byte indicating the instruction code and additional bytes for the payload (instruction-specific data). The actual payload size depends on the instruction used. The minimum length of the payload is 1 byte. This provides a constant offset at which message data begins.

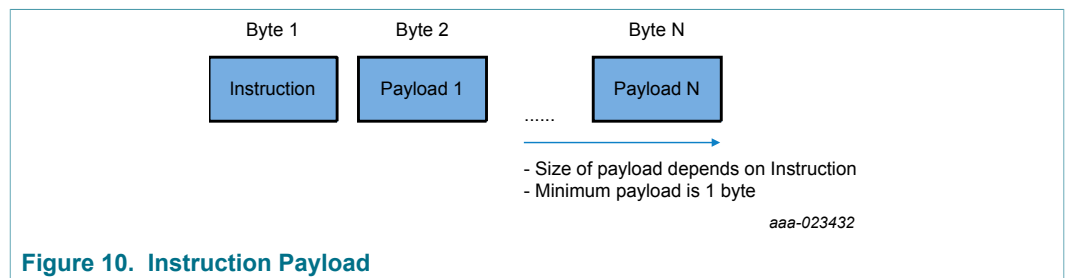


Figure 10. Instruction Payload

All commands are packed into one SPI Frame. An SPI Frame consists of multiple bytes. No NSS toggles allowed during sending of an SPI frame.

For all 4 byte command parameter transfers (e.g. register values), the payload parameters passed follow the little endian approach (Least Significant Byte first).

Direct Instructions are built of a command code (1 Byte) and the instruction parameters (max. 260 bytes). The actual payload size depends on the instruction used.

Responses to direct instructions contain only a payload field (no header). All instructions are bound to conditions. If at least one of the conditions is not fulfilled, an exception is raised.

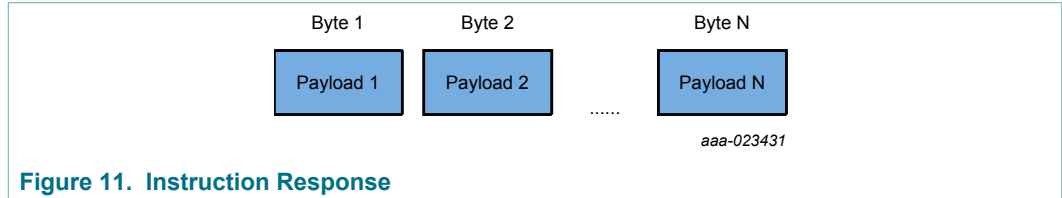


Figure 11. Instruction Response

In case of an exception, the IRQ line of PN5180 is asserted and corresponding interrupt status register contain information on the exception.

11.4.3.2 Transmission Buffer

Two buffers are implemented in the PN5180. The transmission buffer has a buffer size of 260 bytes, the reception buffer has a size of 508 bytes. Both memories buffer the input and output data streams between the host and the internal state machine / contactless UART of the PN5180. Thus, it is possible to handle data streams with lengths of up to 260 bytes for transmission and up to 508 bytes for reception without taking timing constraints into account.

11.4.3.3 Host Interface Command List

Table 5. 1-Byte Direct Commands and Direct Command Codes

Command	Command code	Description
WRITE_REGISTER	0x00	Write one 32bit register value
WRITE_REGISTER_OR_MASK	0x01	Sets one 32bit register value using a 32 bit OR mask
WRITE_REGISTER_AND_MASK	0x02	Sets one 32bit register value using a 32 bit AND mask
WRITE_REGISTER_MULTIPLE	0x03	Processes an array of register addresses in random order and performs the defined action on these addresses.
READ_REGISTER	0x04	Reads one 32bit register value
READ_REGISTER_MULTIPLE	0x05	Reads from an array of max.18 register addresses in random order
WRITE_EEPROM	0x06	Processes an array of EEPROM addresses in random order and writes the value to these addresses
READ_EEPROM	0x07	Processes an array of EEPROM addresses from a start address and reads the values from these addresses
WRITE_TX_DATA	0x08	This instruction is used to write data into the transmission buffer
SEND_DATA	0x09	This instruction is used to write data into the transmission buffer, the START_SEND bit is automatically set.
READ_DATA	0x0A	This instruction is used to read data from reception buffer, after successful reception.
SWITCH_MODE	0x0B	This instruction is used to switch the mode. It is only possible to switch from NormalMode to standby, LPCD or Autocoll.

Command	Command code	Description
MIFARE_AUTHENTICATE	0x0C	This instruction is used to perform a MIFARE Classic Authentication on an activated card.
EPC_INVENTORY	0x0D	This instruction is used to perform an inventory of ISO18000-3M3 tags.
EPC_RESUME_INVENTORY	0x0E	This instruction is used to resume the inventory algorithm in case it is paused.
EPC_RETRIEVE_INVENTORY_RESULT_SIZE	0x0F	This instruction is used to retrieve the size of the inventory result.
EPC_RETRIEVE_INVENTORY_RESULT	0x10	This instruction is used to retrieve the result of a preceding EPC_INVENTORY or EPC_RESUME_INVENTORY instruction.
LOAD_RF_CONFIG	0x11	This instruction is used to load the RF configuration from EEPROM into the configuration registers.
UPDATE_RF_CONFIG	0x12	This instruction is used to update the RF configuration within EEPROM.
RETRIEVE_RF_CONFIG_SIZE	0x13	This instruction is used to retrieve the number of registers for a selected RF configuration
RETRIEVE_RF_CONFIG	0x14	This instruction is used to read out an RF configuration. The register address-value-pairs are available in the response
-	0x15	RFU
RF_ON	0x16	This instruction switch on the RF Field
RF_OFF	0x17	This instruction switch off the RF Field
CONFIGURE_TESTBUS_DIGITAL	0x18	Enables the Digital test bus
CONFIGURE_TESTBUS_ANALOG	0x19	Enables the Analog test bus

The following direct instructions are supported on the Host Interface: Detail Description of the instruction.

WRITE_REGISTER - 0x00

Table 6. WRITE_REGISTER

Payload	Length (byte)	Value/Description
Command code	1	0x00
Parameter	1	Register address
	4	Register content
Response	-	-

Description:

This command is used to write a 32-bit value (little endian) to a configuration register.

Condition:

The address of the register must exist. If the condition is not fulfilled, an exception is raised.

WRITE_REGISTER_OR_MASK - 0x01

Table 7. WRITE_REGISTER

Payload	Length (byte)	Value/Description
Command code	1	0x01
Parameter	1	Register address
	4	OR_MASK
Response	-	-

Description:

This command modifies the content of a register using a logical OR operation. The content of the register is read and a logical OR operation is performed with the provided mask. The modified content is written back to the register.

Condition:

The address of the register must exist. If the condition is not fulfilled, an exception is raised.

WRITE_REGISTER_AND_MASK - 0x02

Table 8. WRITE_REGISTER_AND_MASK

Payload	Length (byte)	Value/Description
Command code	1	0x02
Parameter	1	Register address
	4	AND_MASK
Response	-	-

Description:

This command modifies the content of a register using a logical AND operation. The content of the register is read and a logical AND operation is performed with the provided mask. The modified content is written back to the register.

Condition:

The address of the register must exist. If the condition is not fulfilled, an exception is raised.

WRITE_REGISTER_MULTIPLE - 0x03

Table 9. WRITE_REGISTER_MULTIPLE

Payload	Length (byte)	Value/Description
Command code	1	0x03
Parameter	5...210	Array of up to 42 elements {address, action, content}

order of the register contents within the response corresponds to the order of the register addresses within the command parameter.

Condition:

The address of the register must exist. The size of 'Register Address' array must be in the range from 1 – 18, inclusive. If the condition is not fulfilled, an exception is raised.

WRITE_EEPROM -0x06

Table 12. WRITE_EEPROM

Payload	length (byte)	Value/Description	
Command code	1	0x06	
Parameter	1	Address in EEPROM from which write operation starts {EEPROM Address}	
	1..255	Array of up to 255 elements {EEPROM content}	
		1 byte	EEPROM content
Response	-	-	

Description:

This command is used to write up to 255 bytes to the EEPROM. The field 'EEPROM content' contains the data to be written to EEPROM starting at the address given by byte 'EEPROM Address'. The data is written in sequential order.

Condition:

The EEPROM Address field must be in the range from 0 – 254, inclusive. The number of bytes within 'Values' field must be in the range from 1 – 255, inclusive. If the condition is not fulfilled, an exception is raised.

READ_EEPROM - 0x07

Table 13. READ_EEPROM

Payload	Length (byte)	Value/Description	
Command code	1	0x07	
Parameter	1	Address in EEPROM from which read operation starts (EEPROM Address)	
	1	Number of bytes to read from EEPROM	
Response	1..255	Array of up to 255 elements {EEPROM content}	
		1 byte	EEPROM content

Description:

This command is used to read data from EEPROM memory area. The field 'Address' indicates the start address of the read operation. The field Length indicates the number of bytes to read. The response contains the data read from EEPROM (content of the

EEPROM); The data is read in sequentially increasing order starting with the given address.

Condition:

EEPROM Address must be in the range from 0 to 254, inclusive. Read operation must not go beyond EEPROM address 254. If the condition is not fulfilled, an exception is raised.

WRITE_DATA - 0x08

Table 14. WRITE_DATA

Payload	Length (byte)	Value/Description
Command code	1	0x08
Parameter	1..260	Array of up to 260 bytes {Transmit data}
		1 byte Transmit data: Data written into the transmit buffer
Response	-	-

Description:

This command is used to write data into the RF transmission buffer. The size of this buffer is 260 bytes. After this instruction has been executed, an RF transmission can be started by configuring the corresponding registers.

Condition:

The number of bytes within the 'Tx Data' field must be in the range from 1 to 260, inclusive. The command must not be called during an ongoing RF transmission. If the condition is not fulfilled, an exception is raised.

SEND_DATA - 0x09

Table 15. SEND_DATA

Payload	Length (byte)	Value/Description
Command code	1	0x09
Parameter	1	Number of valid bits in last Byte
	1...260	Array of up to 260 elements {Transmit data}
1 byte		Transmit data
Response	-	-

Description:

This command writes data to the RF transmission buffer and starts the RF transmission. The parameter 'Number of valid bits in last Byte' indicates the exact number of bits to be transmitted for the last byte (for non-byte aligned frames).

Precondition: Host shall configure the Transceiver by setting the register SYSTEM_CONFIG.COMMAND to 0x3 before using the SEND_DATA command, as

the command SEND_DATA is only writing data to the transmission buffer and starts the transmission but does not perform any configuration.

Table 16. Coding of ‘valid bits in last byte’

Number/Parameter	Functionality
0	All bits of last byte are transmitted
1-7	Number of bits within last byte to be transmitted.

Note: When the command terminates, the transmission might still be ongoing, i.e. the command starts the transmission but does not wait for the end of transmission.

Condition:

The size of ‘Tx Data’ field must be in the range from 0 to 260, inclusive (the 0 byte length allows a symbol only transmission when the TX_DATA_ENABLE is cleared). ‘Number of valid bits in last Byte’ field must be in the range from 0 to 7. The command must not be called during an ongoing RF transmission. Transceiver must be in ‘WaitTransmit’ state with ‘Transceive’ command set. If the condition is not fulfilled, an exception is raised.

READ_DATA - 0x0A

Table 17. READ_DATA

Payload	Length (byte)	Value/Description
Command code	1	0x0A
Parameter	1	x00
Response	1...508	Array of up to 508 elements {Receive data}
		1 byte Receive data: data which had been received during last successful RF reception

Description:

This command reads data from the RF reception buffer, after a successful reception. The RX_STATUS register contains the information to verify if the reception had been successful. The data is available within the response of the command. The host controls the number of bytes to be read via the SPI interface.

Condition:

The RF data had been successfully received. In case the instruction is executed without preceding an RF data reception, no exception is raised but the data read back from the reception buffer is invalid. If the condition is not fulfilled, an exception is raised.

SWITCH_MODE - 0x0B

Table 18. SWITCH_MODE

Payload	Length (byte)	Value/Description
Command code	1	0x0B
Parameter	1	Mode

Payload	Length (byte)	Value/Description
	1...n	Array of 'n' elements {Mode parameter}
	1 byte	Mode parameter: Number of total bytes depends on selected mode
Return value	-	-

Description:

This instruction is used to switch the mode. It is only possible to switch from normal mode to Standby, LPCD or Autocoll mode. Switching back to normal mode is not possible using this instruction. The modes Standby, LPCD and Autocoll terminate on specific conditions. Once a configured mode (Standby, LPCD, Autocoll) terminates, normal mode is entered again.

To force an exit from Standby, LPCD or Autocoll mode to normal mode, the host controller has to reset the PN5180.

Condition:

Parameter 'mode' has to be in the range from 0 to -2, inclusive. Dependent on the selected mode, different parameters have to be passed:

In case parameter 'mode' is set to 0 (Standby):

Field 'Wake-up Control' must contain a bit mask indicating the enabled wake-up sources and if GPO shall be toggled. Field 'Wake-up Counter Value' must contain the value used for the wake-up counter (= time PN5180 remains in standby). The value shall be in the range from 1 – 2690, inclusive.

Table 19. Standby configuration

Parameter	Length (byte)	Value/Description
Wake-up Control	1	Bit mask controlling the wake-up source to be used and GPO handling.
Wake-up Counter Value	2	Used value for wake-up counter in msec. Maximum supported value is 2690

Table 20. Standby wake-up counter configuration

b7	b6	b5	b4	b3	b2	b1	b1	
0	0	0	0	0	0			RFU
						X		Wake-up on external RF field, if bit is set to 1b.
							X	Wake-up on wake-up counter expires, if bit is set to 1b.

The field has to be present, even if wake-up counter is not defined as wake-up source. In this case, the field 'wake-up Counter value' is ignored. No instructions must be sent while being in this mode. Termination is indicated using an interrupt.

In case parameter 'mode' is set to 1 (LPCD):

High-performance multi-protocol full NFC frontend, supporting all NFC Forum modes

Field 'Wake-up Counter Value' () defines the period between two LPCD attempts (=time PN5180 remains in standby) as has to be in the range from 1 to 2690, inclusive. No instructions must be sent while being in this mode. Termination is indicated using an interrupt.

Table 21. LPCD wake-up counter configuration

Parameter	Length (bytes)	Value/Description
Wake-up Counter Value	2	Used value for wake-up counter in msecs. Maximum supported value is 2690.

In case field 'Mode' is set to 2 (Autocoll):

Field 'RF Technologies' must contain a bit mask indicating the RF Technologies to support during Autocoll, according to Field 'Autocoll Mode' must be in the range from 0 to 2, inclusive. No instructions must be sent while being in this mode. Termination is indicated using an interrupt.

Table 22. Autocoll wake-up counter configuration

Parameter	Length (bytes)	Value/Description
Wake-up Counter Value	2	Used value for wake-up counter in msecs. Maximum supported value is 2690.

Table 23. Autocoll parameter

Parameter	Length (bytes)	Value/Description
RF Technologies	1	Bit mask indicating the RF technology to listen for during Autocoll
Autocoll Mode	1	0 Autonomous mode not used, i.e. Autocoll terminates when external RF field is not present.
		1 Autonomous mode used. When no RF field is present, Autocoll automatically enters standby mode. Once RF external RF field is detected, PN5180 enters again Autocoll mode.
		2 Same as 1 but without entering standby mode.

Table 24. Autocoll bit mask indicating the RF technologies

b7	b6	b5	b4	b3	b2	b1	b1	
0	0	0	0					RFU
				X				If set, listening for NFC-F active is enabled
					X			If set, listening for NFC-A active is enabled
						X		If set, listening for NFC-F is enabled
							X	If set, listening for NFC-A s enabled

MIFARE_AUTHENTICATE - 0x0C

Table 25. MIFARE_AUTHENTICATE

Payload	Length (bytes)	Value/Description
Command code	1	0x0C
Parameter	6	Key: Authentication key to be used
	1	Key type to be used:
		0x60 Key type A
		0x61 Key type B
1	Block address: The address of the block for which the authentication has to be performed.	
4	UID of the card	
Return value	1	Authentication Status

Description:

This command is used to perform a MIFARE Classic Authentication on an activated card. It takes the key, card UID and the key type to authenticate at a given block address. The response contains 1 byte indicating the authentication status.

Condition:

Field 'Key' must be 6 bytes long. Field 'Key Type' must contain the value 0x60 or 0x61. Block address may contain any address from 0x0 – 0xff, inclusive. Field 'UID' must be 4 bytes long and should contain the 4 byte UID of the card. An ISO/IEC 14443-3 MIFARE Classic product-based card should be put into state ACTIVE or ACTIVE* prior to execution of this instruction.

In case of an error related to the authentication, the return value 'Authentication Status' is set accordingly (see [Table 25](#)).

Attention:

Timer2 is not available during the MIFARE Classic Authentication

If the condition is not fulfilled, an exception is raised.

Table 26. Authentication status return value

Payload Field	Length (byte)	Value/Description	
Authentication Status	1	0	Authentication successful.
		1	Authentication failed (permission denied).
		2	Timeout waiting for card response (card not present).
		3..FF	RFU

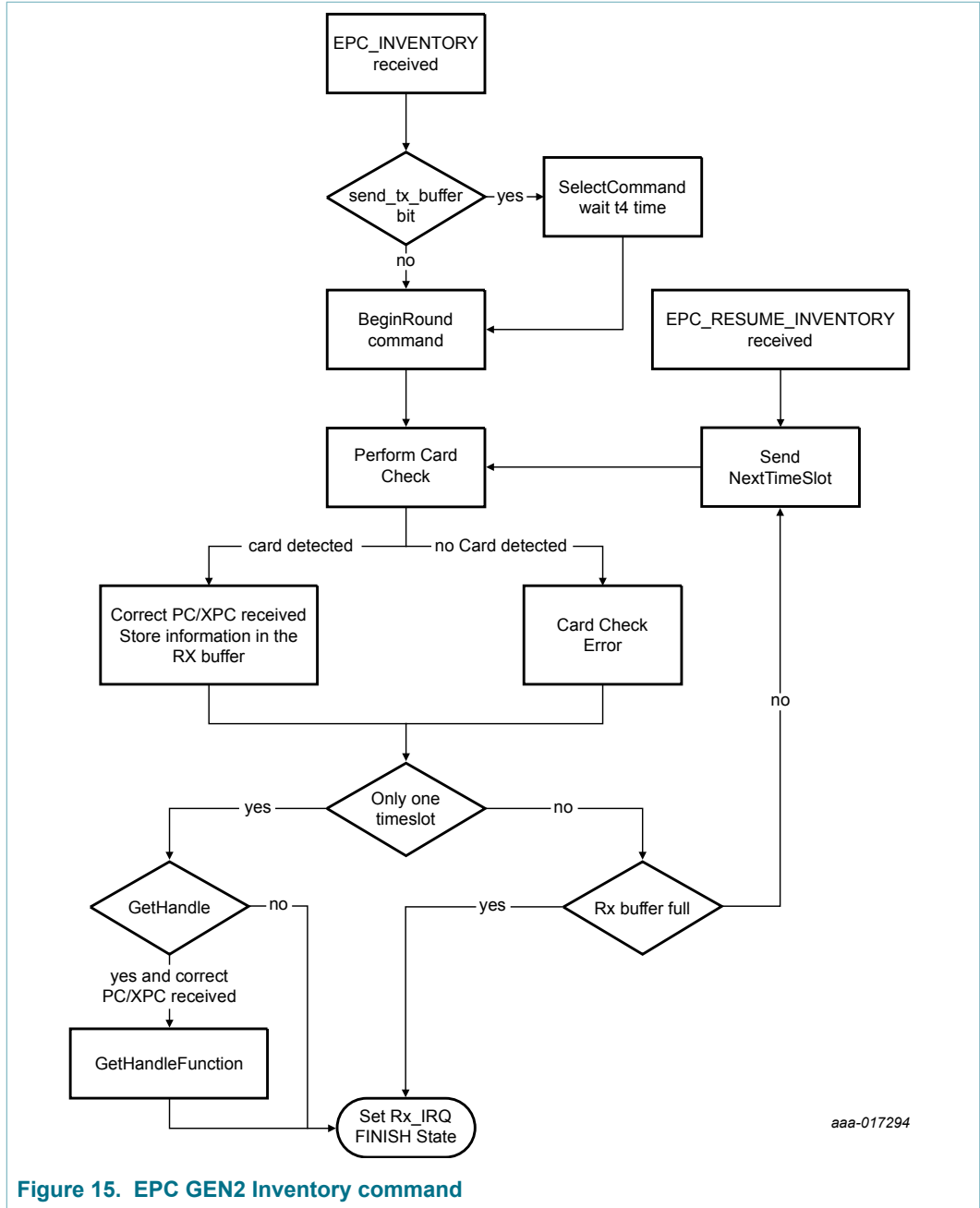
EPC_INVENTORY - 0x0D

Table 27. EPC_INVENTORY PARAMETERS

Payload	Length (byte)	Value/Description	
Command code	1	0x0D	
Parameter	1	SelectCommandLength:	
		0	No Select command is set prior to "BeginRound" command. 'Valid Bits in last Byte' field and 'Select' Command shall not be present
		1...39	Length (n) of the 'Select' command
	0, 1	Valid Bits in last Byte	
		0	All bits of last byte of 'Select command' field are transmitted
		1..7	Number of bits to be transmitted in the last byte of 'Select command' field.
	0..39	Array of up to 39 elements {Select}	
		1 byte	Select: If present (dependent on the first parameter Select Command Length), this field contains the 'Select' command (according to ISO/IEC 18000-3) which is sent prior to a BeginRound command. CRC-16c shall not be included.
	3	BeginRound: Contains the BeginRound command (according to ISO/IEC 18000-3). CRC-5 shall not be included.	
	1	Timeslot behavior	
0		Response contains max. Number of time slots which may fit in response buffer.	
1		Response contains only one timeslot.	
2		Response contains only one timeslot. If timeslot contains valid card response, also the card handle is included.	
Response	0	-	

Description:

This instruction is used to perform an inventory of ISO18000-3M3 tags. It implements an autonomous execution of several commands according to ISO18000-3M3 in order to guarantee the timings specified by this standard.



aaa-017294

Figure 15. EPC GEN2 Inventory command

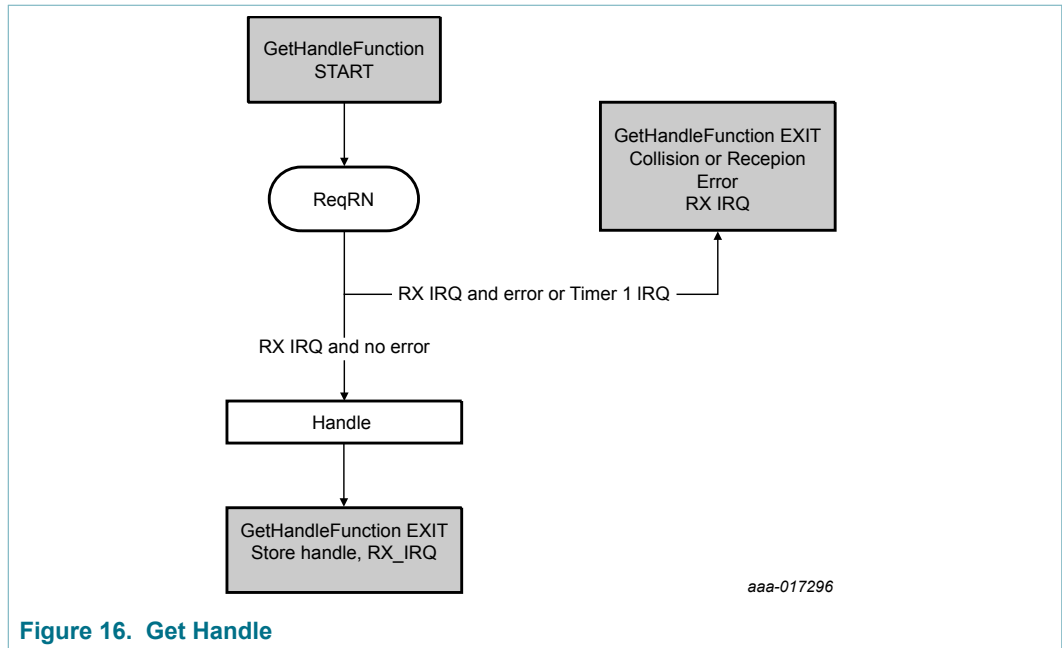


Figure 16. Get Handle

If present in the payload of the instruction, a 'Select' command is executed followed by a 'BeginRound' command. If there is a valid response in the first-time slot (no timeout, no collision), the instruction sends an ACK and saves the received PC/XPC/UII. The device performs then an action according to the definitions of the field 'Timeslot Processed Behavior':

- If this field is set to '0', a NextSlot command is issued to handle the next time slot. This is repeated until the internal buffer is full
- If this field is set to 1 the algorithm pauses
- If this field is set to 2 a Req_Rn command is issued if, and only if, there has been a valid tag response in this timeslot

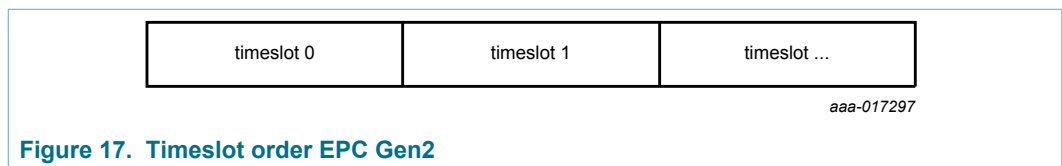


Figure 17. Timeslot order EPC Gen2

Condition:

If the condition is not fulfilled, an exception is raised.

EPC_RESUME_INVENTORY - 0x0E

Table 28. EPC_RESUME_INVENTORY PARAMETERS

Payload	Length (byte)	Value/Description
Command code	1	0x0E
Parameter	1	0x00
Response	0	-

Description:

This instruction is used to resume the inventory algorithm for the ISO18000-3M3 Inventory in case it is paused. This instruction has to be repeatedly called, as long as 'Response Size' field in EPC_RETRIEVE_INVENTORY_RESULT_SIZE is greater than 0.

A typical sequence for a complete EPC GEN2 inventory retrieval is:

1. Execute EPC_INVENTORY to start the inventory
2. Execute EPC_RETRIEVE_INVENTORY_RESULT_SIZE
3. If size is 0, inventory has finished.
4. Otherwise, execute EPC_RETRIEVE_INVENTORY_RESULT
5. Execute EPC_RESUME_INVENTORY and proceed with step 2.

Condition:

Field 'RFU' must be present and can be set to any value. If the condition is not fulfilled, an exception is raised.

EPC_RETRIEVE_INVENTORY_RESULT_SIZE - 0x0F

Table 29. EPC_RETRIEVE_INVENTORY_RESULT_SIZE PARAMETERS

Payload	length (byte)	Value/Description
Command code	1	0x0F
Parameter	1	0x00
Response	2	Response size: If Response size == 0: Inventory has finished. If Response size == 1...512: Value indicates the length of the EPC_RETRIEVE_INVENTORY_RESULT response payload

Description:

This instruction is used to retrieve the size of the inventory result. The size is located in the response to this instruction and reflects the payload size of the response to the next execution of EPC_RETRIEVE_INVENTORY_RESULT. If the size is 0, then no more results are available which means inventory algorithm has finished.

Condition:

Field Parameter1 must be present. If the condition is not fulfilled, an exception is raised.

EPC_RETRIEVE_INVENTORY_RESULT - 0x10

Table 30. EPC_RETRIEVE_INVENTORY_RESULT PARAMETERS

Payload	Length (byte)	Value/Description
Command code	1	0x10
Parameter	1	0x00
Response	2	Response size

Payload	Length (byte)	Value/Description
		If Response size == 0: Inventory has finished. If Response size == 1...512: Value indicates the length of the EPC_RETRIEVE_INVENTORY_RESULT response payload

Description:

This instruction is used to retrieve the result of a preceding or EPC_RESUME_INVENTORY instruction. The size of the payload within the response is determined by the 'Response Size' field of EPC_RETRIEVE_INVENTORY_RESULT_SIZE response. Depending on the 'Timeslot Processed Behavior' defined in that instruction, the result contains one or more time slot responses. Each timeslot response contains a status (field 'Timeslot Status') which indicates, that there has been a valid tag reply or a collision or no tag reply:

- 0 - Tag response available, XPC/PC/UII embedded in the response within 'Tag reply' field
- 1 - Tag response available and tag handle retrieved. XPC/PC/UII as well as tag handle available in the response within 'Tag reply' field and 'Tag Handle' field, respectively.
- 2 - No tag replied, empty time slot
- 3 - Collision, two or more tags replied in the same time slot

Condition:

Field 'RFU' must be present and can be set to any value. If the condition is not fulfilled, an exception is raised.

LOAD_RF_CONFIG - 0x11

Table 31. LOAD_RF_CONFIG PARAMETERS

Payload	length (byte)	Value/Description
Command code	1	0x11
Parameter	1	Transmitter configuration byte
	1	Receiver configuration byte
Response	0	-

Description:

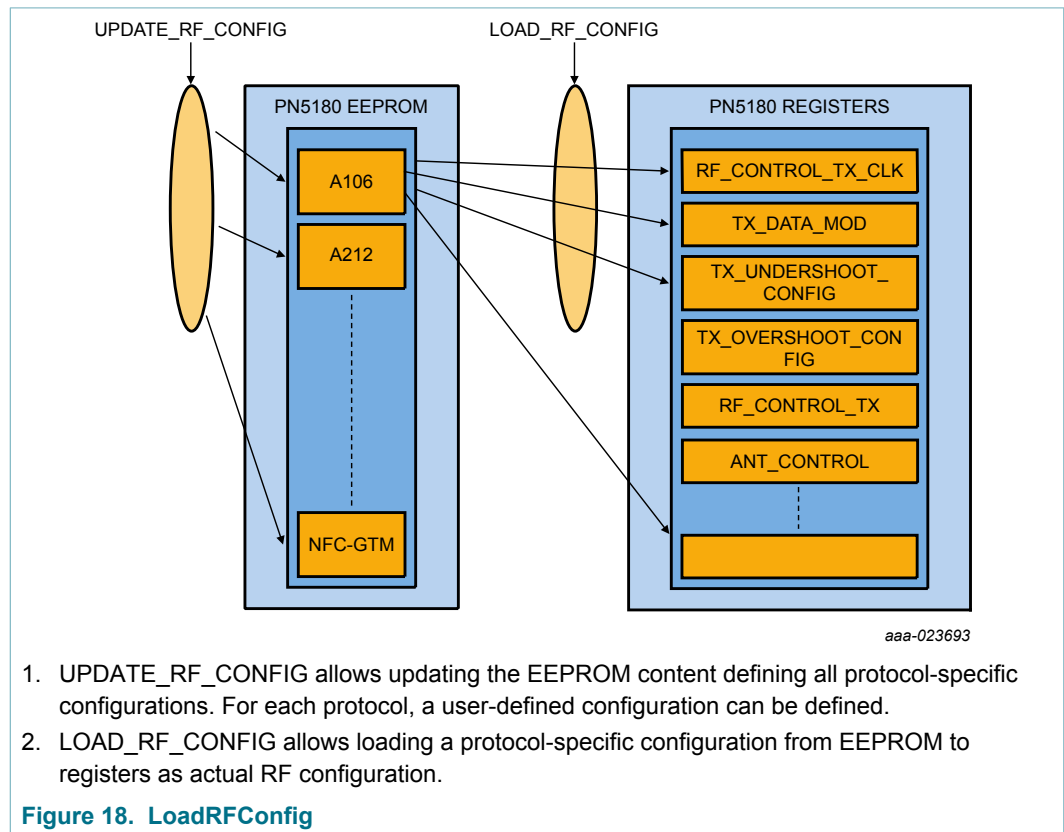
This instruction is used to load the RF configuration from EEPROM into the configuration registers. The configuration refers to a unique combination of "mode" (target/initiator) and "baud rate". The configurations can be loaded separately for the receiver (Receiver configuration) and transmitter (Transmitter configuration).

The PN5180 is pre-configured by EEPROM with settings for all supported protocols. The default EEPROM settings are considering typical antenna. It is possible for the user to modify the EEPROM content and by this adapt the default settings to individual antennas for optimum performance. The command UPDATE_RF_CONFIG is used for modification of the RF Configuration settings available in the EEPROM. There is

no possibility to update the EEPROM data directly, updates have to make use of the UPDATE_RF_CONFIG command.

Note that the command LOAD_RF_CONFIG configures parameters which are not accessible by registers, and configures additional parameters depending on the protocol setting (e.g. the waveshaping AWC). It is required to execute the command LOAD_RF_CONFIG for a specific protocol first, before any register settings for this protocol are changed.

The parameter 0xFF has to be used if the corresponding configuration shall not be changed.



Condition:

Parameter 'Transmitter Configuration' must be in the range from 0x0 - 0x1C, inclusive. If the transmitter parameter is 0xFF, transmitter configuration is not changed.

Field 'Receiver Configuration' must be in the range from 0x80 - 0x9C, inclusive. If the receiver parameter is 0xFF, the receiver configuration is not changed. If the condition is not fulfilled, an exception is raised.

The transmitter and receiver configuration shall always be configured for the same transmission/reception speed. No error is returned in case this condition is not taken into account.

Table 32. LOAD_RF_CONFIG: Selection of protocol register settings

Transmitter: RF configuration byte (hex)	Protocol	Speed (kbit/s)	Receiver: RF configuration byte (hex)	Protocol	Speed (kbit/s)
00	ISO 14443-A / NFC PI-106	106	80	ISO 14443-A / NFC PI-106	106
01	ISO 14443-A	212	81	ISO 14443-A	212
02	ISO 14443-A	424	82	ISO 14443-A	424
03	ISO 14443-A	848	83	ISO 14443-A	848
04	ISO 14443-B	106	84	ISO 14443-B	106
05	ISO 14443-B	212	85	ISO 14443-B	212
06	ISO 14443-B	424	86	ISO 14443-B	424
07	ISO 14443-B	848	87	ISO 14443-B	848
08	FeliCa / NFC PI 212	212	88	FeliCa / NFC PI 212	212
09	FeliCa / NFC PI 424	424	89	FeliCa / NFC PI 212	424
0A	NFC-Active Initiator	106	8A	NFC-Active Initiator	106
0B	NFC-Active Initiator	212	8B	NFC-Active Initiator	212
0C	NFC-Active Initiator	424	8C	NFC-Active Initiator	424
0D	ISO 15693 ASK100	26	8D	ISO 15693	26
0E	ISO 15693 ASK10	26	8E	ISO 15693	53
0F	ISO 18003M3 Manch. 424_4 Tari=18.88	8F	ISO 18003M3 Manch. 424_4	106	
10	ISO 18003M3 Manch. 424_2 Tari=9.44	90	ISO 18003M3 Manch. 424_2	212	
11	ISO 18003M3 Manch. 848_4 Tari=18.88	91	ISO 18003M3 Manch. 848_4	212	
12	ISO 18003M3 Manch. 848_2 Tari=9.44	92	ISO 18003M3 Manch. 848_2	424	
13	ISO 18003M3 Manch. 424_4	93	ISO 14443-A PICC	106	
14	ISO 14443-A PICC	94	ISO 14443-A PICC	212	
15	ISO 14443-A PICC	95	ISO 14443-A PICC	424	
16	ISO 14443-A PICC	96	ISO 14443-A PICC	848	
17	NFC Passive Target	97	NFC Passive Target	212	
18	NFC Passive Target	98	NFC Passive Target	424	
19	NFC Active Target 106	99	ISO 14443-A	106	
1A	NFC Active Target 212	9A	ISO 14443-A	212	
1B	NFC Active Target 424	9B	ISO 14443-A	424	
1C	GTM	9C	GTM	ALL	

UPDATE_RF_CONFIG - 0x12

Table 33. UPDATE_RF_CONFIG PARAMETERS

Payload	length (byte)	Value/Description
Command code	1	0x12
Parameter	1...252	Array of up to 42 elements {RF configuration byte, Register Address, Register value}
	1 byte	RF Configuration byte: RF configuration for which the register has to be changed.
	1 byte	Register Address: Register Address within the given RF technology.
	4 bytes	Register value: Value which has to be written into the register.
Response	-	-

Description:

This instruction is used to update the RF configuration within the EEPROM. The command allows updating dedicated EEPROM addresses, in case the complete set does not require to be updated.

The payload parameters passed following the little endian approach (Least Significant Byte first).

Condition:

The size of the array of 'Configuration data' must be in the range from 1 – 42, inclusive. The array data elements must contain a set of 'RF Configuration byte', 'Register Address' and 'Value'. The field 'RF Configuration byte' must be in the range from 0x00 – 0x1C or 0x80-0x9C, inclusive. The address within field 'Register Address' must exist within the respective RF configuration. The 'Register Value' contains a value which will be written into the given register and must be 4 bytes long. If the condition is not fulfilled, an exception is raised.

RETRIEVE_RF_CONFIG_SIZE - 0x13

Table 34. RETRIEVE_RF_CONFIG_SIZE PARAMETERS

Payload	length (byte)	Value/Description
Command code	1	0x13
Parameter	1	RF configuration ID: RF configuration for which the number of registers has to be retrieved.
Response	1	Number of registers for the selected "RF configuration ID"

Description:

This command is used to retrieve the size (number of 32-bit registers) of a given RF configuration. The size is available in the response to this instruction.

High-performance multi-protocol full NFC frontend, supporting all NFC Forum modes

Condition:

The field 'RF configuration ID' must be in the range from 0x00 - 0x1C or 0x80-0x9C, inclusive. If the condition is not fulfilled, an exception is raised.

RETRIEVE_RF_CONFIG - 0x14

Table 35. RETRIEVE_RF_CONFIG PARAMETERS

Payload	length (byte)	Value/Description
Command code	1	0x14
Parameter	1	RF configuration ID: RF configuration for which the number of 32-bit registers has to be retrieved.
Response	0...39	Array of up to 39 elements {RegisterAddress, RegisterContent}
	1 byte	RegisterAddress: Address of the register to read
	4 bytes	RegisterContent: Data of register addressed by this element

Description:

This command is used to read an RF configuration. The register content available in the response. In order to know how many pairs are to be expected, the command RETRIEVE_RF_CONFIGURATION_SIZE has to be executed first.

The payload parameters passed following the little endian approach (Least Significant Byte first).

Condition:

The field 'RF configuration ID' must be in the range from 0x00-0x1C or 0x80-0x9C, inclusive. If the condition is not fulfilled, an exception is raised.

COMMAND RFU - 0x15

Table 36. RFU

Payload	length (byte)	Value/Description
Command code	1	0x15 RFU
Parameter	-	
Response	-	

Description:

This command is reserved for future use.

RF_ON - 0x16

Table 37. RF_ON

Payload	length (byte)	Value/Description
Command code	1	0x16

Payload	length (byte)	Value/Description
Parameter	1	Bit0 == 1: disable collision avoidance according to ISO/IEC 18092 Bit1 == 1: Use Active Communication mode according to ISO/IEC 18092
Response	-	-

Description:

This command is used to switch on the internal RF field. If enabled the TX_RFON_IRQ is set after the field is switched on.

RF_OFF - 0x17

Table 38. RF_OFF

Payload	length (byte)	Value/Description
Command code	1	0x17
Parameter	1	dummy byte, any value accepted
Response	-	-

Description:

This command is used to switch off the internal RF field. If enabled, the TX_RFOFF_IRQ is set after the field is switched off.

CONFIGURE_TESTBUS_DIGITAL - 0x18

Table 39. CONFIGURE_TESTBUS_DIGITAL

Payload	length (byte)	Value/Description
Command code	1	0x18
Parameter	1	Signal Bank
	1*n	TB_POS: Pad Location (bits 4:7) and digital test signal definition (bits 0:3) n can have a value between 1 and 4
Response	-	-

Description:

This command defines the type of digital test signals and their output pins on the chip.

The test bus must be enabled in the EEPROM settings (EEPROM address: 0x17, TESTBUS_ENABLE) before any signal will appear on the output pins.

There are several signal banks which can be selected, defined by the first Parameter "Signal Bank".

High-performance multi-protocol full NFC frontend, supporting all NFC Forum modes

The second parameter, TB_POS, is defining the type of digital signal in the lower nibble (bits 0:3) of the parameter byte, and the output pin in the upper nibble (bits 4:7). All digital output pins are able to provide a digital output signal at the same time.

Sending 1- to 4-times the TB_POS configuration byte allows to configure

TB_POS byte (Pad location for signal output) has to be configured in the following way:

Table 40. TB_POS

BitPos	Value	Description
0_3	0..7h	Signal Selection of the Signal Bank
	8h	13 MHz RF clock
	9h..Fh	RFU
4:7	0h	IRQ pin (B2 on TFBGA64 -39 on HVQFN40)
	1h	AUX1 pin (B1 on TFBGA64 - 40 on HVQFN40)
	2h	AUX2 pin (C1 on TFBGA64 - 02 on HVQFN40)
	3h	GPO1 pin (B3 on TFBGA64 - 38 on HVQFN40)
	4h..Fh	RFU

The digital debug output is configured by the command CONFIGURE_TESTBUS_DIGITAL. Two parameters are passed within this command.

The first parameter (1 byte) defines the test signal group. Out of this test signal group, one signal can be selected for output on a pin of the PN5180 (4 bits).

The signal type of the chosen test signal group is selected by the low-nibble of parameter 2. A value of 8 on this position selects the 13.56 MHz clock to be put out on the selected pin.

The high nibble of parameter 2 (1 byte) selects the output pin for the selected test signal.

The following parameter groups are possible:

Table 41. Debug Signal Group Selection

Command parameter (hex)	Debug Signal Group
01	Clock signal group
1B	Transmitter encoder group
1D	Timer group
30	Card mode protocol group
58	Transceive group
70	Receiver data transfer group
73	Receiver error group

The second parameter defines the pin which is used for output of the test signal in the high nibble, and the signal from one of the Debug Signal groups that are put out in the low nibble.

Table 42. Clock Signal Group

Value low nibble (HEX)	Debug Function
9..15	RFU
8	13.56 MHz clock is put out
7	CLIF clock reset
6	Signal indicating the PLL is locked
5	Signal indicating an external Field is present
4	20 MHz clock from the high frequency oscillator
3	27.12 MHz clock from the PLL
2	27.12 MHz clock from the RF clock recovery
1	Multiplexed 27.12 MHz clock
0	Multiplexed 13.56 MHz clock

Table 43. Transmitter Encoder Group

Value low nibble (HEX)	Debug Function
9..15	RFU
8	13.56 MHz clock is put out
7..2	RFU
1	Output TX envelope
0	Tx-IRQ

Table 44. Timer Group

Value low nibble (HEX)	Debug Function
9..15	RFU
8	13.56 MHz clock is put out
7	Running flag of timer T0
6	Expiration flag of timer T0
5	Running flag of timer T1
4	Expiration flag of timer T1
3	Running flag of timer T2
2	Expiration flag of timer T2
1..0	RFU

Table 45. Card mode Protocol Group

Value low nibble (HEX)	Debug Function
9..15	RFU
8	13.56 MHz Clock is put out
7	Synchronized clock-fail signal
6	Flag indicating that ISO/IEC 14443 type A (Miller) was detected
5	Flag indicating that FeliCa 212 kBd (Manchester) was detected
4	Flag indicating that FeliCa 424 kBd (Manchester) was detected
3	Flag indicating that ISO/IEC14443 type B (NRZ) was detected
2	Flag indicating that the EOF was detected
1	CM data signal (Miller / Manchester / NRZ)
0	Signal indicating that the current data is valid

Table 46. Transceiver Group

Value low nibble (HEX)	Debug Function
9..15	RFU
8	13.56 MHz clock is put out
7	Signal indicating that the tx prefetch was completed
6	Signal initiating a tx prefetch at the BufferManager
5	Start of transmission signal to TxEncoder
4	enable reception signal to RxDecoder
3	indicator that the waiting time was already expired
2	Transceiver state2
1	Transceiver state1
0	Transceiver state0

Table 47. Receiver Data Transfer Group

Value low nibble (HEX)	Debug Function
9..15	RFU
8	13.56 MHz clock is put out
7	Signal from SigPro indicating a collision
6	Signal from SigPro indicating end of data
5	Signal from SigPro indicating that data is valid

Value low nibble (HEX)	Debug Function
4	Signal from SigPro indicating received data
3	Status signal set by rx_start, ends when RX is completely over
2	Status signal indicating actual reception of data
1	Reset signal for receiver chain (at start of RX)
0	Internal RxDec bitclk

Table 48. Receiver Error Group

Value low nibble (HEX)	Debug Function
9..15	RFU
8	13.56 MHz clock is put out
7	Combination of data/protocol error and collision
6	Set if RxMultiple is set, and the LEN byte indicates more than 28 bytes
5..3	RFU
2	Set if a collision has been detected
1	Protocol error flag
0	Data integrity error flag (Parity, CRC (Collision))

CONFIGURE_TESTBUS_ANALOG - 0x19

Table 49. CONFIGURE_TESTBUS_ANALOG

Payload	Length (byte)	Value/Description
Command code	1	0x19
Parameter	1	Defines test signal to be provided on AUX2, the analog test signal type is defined by value (see table 49.)
	1	Defines test signal to be provided on AUX1, the analog test signal type is defined by value (see table 49.)

Description:

This command enables the Analog test bus.

The command uses two parameters (each with length of 1 byte) for definition of the analog test signal type.

The test bus must be enabled in the EEPROM settings (EEPROM address: 0x17, TESTBUS_ENABLE) before any signal will appear on the output pins.

The host interface must use the following sequence as long as the test bus is enabled:

1. Assert NSS to Low

2. Perform Data Exchange
3. Wait until BUSY is high
4. Deassert NSS
5. Wait until BUSY is low

Table 50. ANALOG TEST SIGNALS

Signal Name	Parameter	Description
DAC_VALUE_OUT	0h	Analog output of value defined in register DAC_VALUE
ADC_DATA_Q	1h	Receiver Q-channel signal; depending on SIGPRO_IN_SEL either samples signals from ADC, tx_envelope or SigIn
ADC_DATA_I	2h	Receiver I-channel signal; depending on SIGPRO_IN_SEL either samples signals from ADC, tx_envelope or SigIn
ADC_DATA_QS	3h	Filtered Q-Channel Signal (rect-filter)
ADC_DATA_IS	4h	Filtered I-Channel Signal (rect-filter)
AUTO_MIN_LEVEL	5h	Defines threshold for bit detection during startbit (adjusted by minlevel register setting), after startbit detection autominlevel is 50% of the signal strength (nonlinear reduction of the correlation result)
CORR_FILT	6h	Filtered correlation result; bit detected if above autominlevel
CORR	7h	Correlation result, used to adjust autominlevel (startbit detection)
RFU	8h	-
BPSK_SUM	9h	Result of correlation for BPSK (if above threshold (adjusted by minlevelp register) a phase shift is detected)
DPRESENT_SUM	Ah	Correlation value for subcarrier detection (if above threshold (adjusted by minlevel register setting) subcarrier is present); only valid for if BPSK enabled; it is derived by a linear reduction of dpresent_sum_raw

11.5 Memories

11.5.1 Overview

The PN5180 implements two different memories: EEPROM and RAM.

At start-up, all registers are initialized with default values. For the registers defining the RF functionality, the default values are not set to execute any contactless communication.

The registers defining the RF functionality are initialized by using the instruction LOAD_RF_CONFIGURATION.

Using the instruction LOAD_RF_CONFIGURATION, the initialization of the registers which define the RF behavior of the IC performs an automatic copy of a predefined EEPROM area (read/write EEPROM section1 and section2, register reset) into the registers defining the RF behavior.

11.5.2 EEPROM

The EEPROM memory maintains its content during Power-OFF, whereas the RAM (Buffers) does not keep any data stored in this volatile memory.

The EEPROM address range is from 0x00 to 0xFF.

The EEPROM contains information about Die Identifier, Firmware Version, System configuration and RF settings for fast configuration.

Table 51. EEPROM Addresses

EEPROM Address (HEX)	Field / Value	Access	Size (bytes)	Bits	Comments
0x00	Die identifier	R	16	-	Each die has a unique Identifier. This entry can be treated as 16 byte unique random number
0x10	Product Version	R	2	15-0	Product Version (Major version, minor version) - this indicates the original Firmware version as loaded into the PN5180 during production. A secure firmware update does not change the content of this EEPROM addresses.
0x12	Firmware Version	R	2	15-0	Firmware Version (major version, minor version): Example FW 3.4: <ul style="list-style-type: none"> EEPROM address 0x12: 0x04 EEPROM address 0x13: 0x03
0x14	EEPROM Version	R	2	15-0	EEPROM Version Number (default initialization values, e.g. for Load_RF_Config, register reset values, default DPC settings) For PN5180A0HN/C1 and PN5180A0HN/C2: Version is: 00 93
0x16	IDLE_IRQ_AFTER_BOOT	RW	1	7-0	This enables the IDLE IRQ to be set after the boot has finished
0x17	TESTBUS_ENABLE	RW	1	7-0	If bit 7 is set, the test bus functionality is enabled. During this phase, it can happen that the BUSY line is asserted after the frame is received. Therefore it is recommended to first set NSS to low, wait until BUSY goes high and then send the data.
0x18	XTAL_BOOT_TIME	RW	2	15-0	XTAL boot time in us
0x1A	IRQ_PIN_CONFIG	RW	1	7-0	Configures the state (active high/low) and clearing conditions for the IRQ pin
				0	Cleared: IRQ active low Set: IRQ active high
				1	Cleared: Use IRQ_CLEAR to clear IRQ pin Set: Auto Clear on Read of IRQ_STATUS
0x1B	MISO_PULLUP_ENABLE	RW	1	7-0	Configures the pullup resistor for the SPI MISO
				2-0	000b - no pulldown 001b - no pullup 010b - pulldown

EEPROM Address (HEX)	Field / Value	Access	Size (bytes)	Bits	Comments
					011b - pullup
				7-3	04h - FFh RFU
0x1C	PLL_DEFAULT_SETTING	R/W	8		PLL configuration of clock input frequency in case a 13.56 MHz Crystal is not used. The PLL setting need to be written as two 4-byte words to the memory, little endian. This means that the e.g the value for 8 MHz (03A3531002A12210) shall be written as follows to the EPROM (ascending addresses starting at 0x1C): 10 53 A3 0310 22 A1 02
					8 MHz: 03A35310 - 02A12210
					12 MHz: 02A38288 - 02E10190
					until FW 3.6: 16 MHz: 02E2A1D8 - 02D11150
					from FW 3.8 onwards: 16 MHz: 02E2B1D8 - 02D11150
					24 MHz: 02D35138 - 02E0E158 (default)
0x24	PLL_DEFAULT_SETTING_ALM	R/W	8	-	PLL configuration for the Active Load Modulation
0x2c	PLL_LOCK_SETTING	R/W	4	31-0	Lock Settings for the PLL - do not change
0x30	CLOCK_CONFIG	RW	1		Configures the source of the clock, either 27.12 MHz crystal or external clock with PLL refactoring
				7-3	RFU
				2-0	000b: External clock source(8Mhz,12Mhz,16Mhz,24Mhz. Default 24Mhz); 001b: RFU; 010b: RFU; 011b: XTAL; 100b-111b:RFU
0x31	RFU	RW	1	7-0	-
0x32	MFC_AUTH_TIMEOUT	RW	2	15-0	Timeout value used for each of the Auth1 and Auth2 stages during MFC Authenticate (MIFARE Classic Authenticate). This is an unsigned 16-bit integer value in little endian order. The timebase for the timeout is 1.0 microseconds. Example: The default value of 0x0, 0x5 refers actually to 0x500 (1280 decimal) resulting in a timeout of 1.28 ms for each of the authentication stages.
0x34	LPCD_REFERENCE_VALUE	RW	2	15-0	AGC Reference Value
0x36	LPCD_FIELD_ON_TIME	RW	1	7-0	1 byte delay * 8 in microseconds settling time for AGC measurement

EEPROM Address (HEX)	Field / Value	Access	Size (bytes)	Bits	Comments
0x37	LPCD_THRESHOLD	RW	1	7-0	1 byte AGC threshold value which is used to compare against the (Current AGC value – Reference AGC) during the Low-Power Card Detection phase
0x38	up to firmware version 3.5: LPCD_REFVAL_CONTROL	RW	1	7-0	Configures the LPCD mode and reference value for antenna detuning by card / metal
				1-0	LPCD Mode 00b - Use EEPROM value of LPCD_REFERENCE_VALUE for reference value 01b - Use on begin of an LPCD a measurement cycle for generating a reference value. 10b - Use the Register value of CHECK_CARD_RESULT for reference value. This allows the configuration of the reference value without EEPROM programming.
	from firmware version 3.6 onwards: LPCD_REFVAL_GPO_CONTROL	RW	1	7-0	This byte in EEPROM is used to control the GPIO assertion during wake-up and LPCD card detect.
				1:0	LPCD Mode 00b - Use EEPROM value of LPCD_REFERENCE_VALUE for reference value 01b - Use on begin of an LPCD a measurement cycle for generating a reference value. 10b - Use AGC Reference value and AGC gear from the register AGC_REF_CONFIG. 11b - RFU
				2	GPO1 Control for external TVDD DC/DC 0b - Disable Control of external TVDD DC/DC via GPO1 1b - Enable Control of external TVDD DC/DC via GPO1
				3	GPO2 Control for external TVDD DC/DC during wake-up from standby 0b - Disable Control of external TVDD DC/DC via GPO2 on LPCD Card Detect 1b - Enable Control of external TVDD DC/DC via GPO2 on LPCD Card Detect

EEPROM Address (HEX)	Field / Value	Access	Size (bytes)	Bits	Comments
				4	GPO1 Control for external TVDD DC/DC during wake-up from standby 0b - Disable Control of external TVDD DC/DC via GPO1 on wake-up from standby 1b - Enable Control of external TVDD DC/DC via GPO1 on wake-up from standby
0x39	LPCD_GPO_TOGGLE_BEFORE_FIELD_ON	RW	1	7-0	1 byte value defines the time between setting GPO until Field is switched on. The time can be configured in 8 bits in 5us steps
0x3A	LPCD_GPO_TOGGLE_AFTER_FIELD_OFF	RW	1	7-0	1 byte value defines the time between Field Off and clear GPO. The time can be configured in 8 bits in 5us steps
0x3B	NFCLD_SENSITIVITY_VAL	RW	1	7-0	NFCLD Sensitivity value to be used during the RF On Field handling Procedure.
0x3C	FIELD_ON_CP_SETTLE_TIME	RW	1	7-0	Delay in 4us steps (range: 0 - 1020us) to wait during RF on for charge pumps to be settled, to avoid initial Tx driver overcurrent
0x3D	RFU	RW	2	15-0	RFU
0x3F	RF_DEBOUNCE_TIMEOUT	RW	1	7-0	Defines the delay time in steps of 10µs between two samples of the external RF field detection. This time applies only in card mode.
0x40	SENS_RES	RW	2	15-0	Response to ReqA / ATQA in order byte 0, byte 1
0x42	NFCID1	RW	3	23-0	If Random UID is disabled (EEPROM address 0x51), the content of these addresses is used to generate a Fixed UID. The order is byte 0, byte 1, byte 2; the first NFCID1 byte is fixed to 08h, the check byte is calculated automatically
0x45	SEL_RES	RW	1	7-0	Response to Select
0x46	FELICA_POLLING_RESPONSE	RW	18	-	FeliCa Polling response (2 bytes (shall be 01h, FEh) + 6 bytes NFCID2 + 8 bytes Pad + 2 bytes system code)
0x51	RandomUID_enable	RW	1	7-0	Enables the use of a RandomUID in card modes. If enabled (EEPROM configuration, Address 0x51), a random UID is generated after each RF-off. 0: Use UID stored in EEPROM 1: Randomly generate the UID
0x58	NFCID3	RW	1	7-0	NFCID3 (1 byte) If the Random UID is enabled (EEPROM address 0x51), this address contains the NFCID3.
0x59	DPC_CONTROL	RW	1	7-0	Enables DPC and configures DPC gears
				0	DPC_ENABLE cleared: OFF; set: ENABLE
				3-1	GEAR_STEP_SIZE: binary definition of gear step size; position of Bit 1 is the LSB of gear step size
				7-4	START_GEAR; binary definition of start gear, Position of bit 4 is the LSB of start gear number

EEPROM Address (HEX)	Field / Value	Access	Size (bytes)	Bits	Comments
0x5A	DPC_TIME	RW	2	15-0	Sets the value for the periodic regulation. Time base is 1/20 MHz. (Example: Value of 20000 is equal to 1 ms)
0x5C	DPC_XI	RW	1	7-0	Trim Value of the AGC value
0x5D	AGC_CONTROL	RW	2		Settings for AGC control loop
				9-0	Duration
				10	Duration enable
				12-11	Step size
				13	Step size enable
15-14	RFU				
0x5F	DPC_THRSH_HIGH	RW	30	-	Defines the AGC high threshold for each gear. DPC_AGC_GEAR_LUT_SIZE defines the number of gears. DPC_AGC_GEAR_LUT_SIZE can be 1..15. The threshold is defined by 2 bytes (bit0 located in the byte with lower address),
0x7D	DPC_THRSH_LOW	RW	2	15-0	Defines the AGC low threshold for initial gear. The threshold is defined by 2 bytes (bit 0 located in the byte with lower address)
0x7F	DPC_DEBUG	RW	1	7-0	Enables the debug signals
0x80	DPC_AGC_SHIFT_VALUE	RW	1	7-0	Shift Value for the AGC dynamic low adoption to prevent oscillation
0x81	DPC_AGC_GEAR_LUT_SIZE	RW	1	7-0	Defines the number of gears for the lookup table (LUT, value can be between 1...15)
0x82	DPC_AGC_GEAR_LUT	RW	15	-	Defines the Gear Setting for each step size starting with Gear0 at lowest address up to 15 gears. Each entry contains a definition for the DPC_CONFIG register content. Bits 8:11 are not taken into account.
0x91	DPC_GUARD_FAST_MODE	RW	2	15-0	Guard time after AGC fast mode has been triggered. This happens in the following scenarios: - End of Receive - End of Transmit - After a gear switch Time base is 1/20 MHz (Example: Value of 2000 is equal to 100 µs)
0x93	DPC_GUARD_SOF_DETECTED	RW	2	15-0	Guard time after SoF or SC detection. This is to avoid any DPC regulation between SoF/SC and actual begin of reception. Time base is 1/20MHz (Example: Value of 2000 is equal to 100 µs)
0x95	DPC_GUARD_FIELD_ON	RW	2	15-0	Guard time after Gear Switch during FieldOn instruction. Time base is 1/20MHz (Example: Value of 2000 is equal to 100 µs)
0x97	up to firmware version 3.5: PCD_SHAPING_LUT_SIZE	RW	1	7-0	Number of elements for the PCD Shaping

EEPROM Address (HEX)	Field / Value	Access	Size (bytes)	Bits	Comments
	from firmware version 3.6 onwards: PCD_AWC_DRC_LUT_SIZE	RW	1	7-0	Number of elements for the PCD Shaping and RX settings
				4-0	The lower nibble consists of the Number of elements for the PCD Shaping
				7-5	The upper nibble consists of the Number of elements for the RxGain.
0x98	up to firmware version 3.5: PCD_SHAPING_LUT	RW	64	-	PCD Shaping configuration lookup table: Each word contains the following configuration information:
				3-0	DPC Gear
				7-4	TAU_MOD_FALLING (Sign bit (MSB) + 3-bit value)
				11-8	TAU_MOD_RISING (Sign bit (MSB)+ 3-bit value)
				15-12	RESIDUAL_CARRIER (Sign bit (MSB) + 3-bit value)
				31-16	Bitmask identifying technology and baud rate:
					0000b - A106
					0001b - A212
					0010b - A424
					0011b - A848
					0100b - B106
					0101b - B212
					0110b - B424
					0111b - B848
					1000b -F212
					1001b -F424
					1010b - 15693 ASK 100
					1011b - 15693 ASK 10
					1100b - ISO18000 3M3
0x98	from firmware version 3.6 onwards: Table is extended from 16 to 20 entries, and allows to configure DPC, AWC and ARC: PCD_AWC_DRC_LUT - entries	R/W	80		Adaptive Waveshaping Control (AWC) and Adaptive Receiver Control (ARC) configuration
			dynamic	3:0	DPC Gear
				7:4	TAU_MOD_FALLING (Sign bit (MSB) + 3-bit value)
				11:8	TAU_MOD_RISING (Sign bit (MSB)+ 3-bit value)
				15:12	RESIDUAL_CARRIER (Sign bit (MSB) + 3-bit value)
				28-16	Bitmask identifying technology and baud rate:
					bit 16# : 0000.0000.0000b - A106

EEPROM Address (HEX)	Field / Value	Access	Size (bytes)	Bits	Comments
					bit 17#: 0000.0000.0001b - A212
					bit 18#: 0000.0000.0010b - A424
					bit 19#: 0000.0000.0100b - A848
					bit 20#: 0000.0000.1000b - B106
					bit 21#: 0000.0001.0000b - B212
					bit 22#: 0000.0010.0000b - B424
					bit 23#: 0000.0100.0000b - B848
					bit 24#: 0000.1000.0000b -F212
					bit 25#: 0001.0000.0000 -F424
					bit 26#: 0010.0000.0000b - 15693 ASK 100
					bit 27#: 0100.0000.0000 - 15693 ASK 10
					bit 28#: 1000.0000.0000b - ISO18000 3M3
				31-29	RFU
	PCD_SHAPING_LUT - entries for ARC		dynamic	3-0	DPC gear
				5-4	RX_GAIN setting (Sign bit (MSB)+ 1-bit value)
				7-6	RX_HPCF (Sign bit (MSB) + 1-bit value)
				15-11	RFU
				28-16	Bitmask identifying technology and baud rate:
					bit 16# : 0000.0000.0000b - A106
					bit 17#: 0000.0000.0001b - A212
					bit 18#: 0000.0000.0010b - A424
					bit 19#: 0000.0000.0100b - A848
					bit 20#: 0000.0000.1000b - B106
					bit 21#: 0000.0001.0000b - B212
					bit 22#: 0000.0010.0000b - B424
					bit 23#: 0000.0100.0000b - B848
					bit 24#: 0000.1000.0000b -F212
					bit 25#: 0001.0000.0000 -F424
					bit 26#: 0010.0000.0000b - 15693 ASK 100
					bit 27#: 0100.0000.0000 - 15693 ASK 10
					bit 28#: 1000.0000.0000b - ISO18000 3M3
from FW 3.8 onwards					

EEPROM Address (HEX)	Field / Value	Access	Size (bytes)	Bits	Comments
0xE8	Misc_Config	R/W	1		Digital delay can be enabled in firmware by setting Bit3 of bMisc_Config byte in EEPROM. The digital delay of highest baudrate for each technology is stored in DIGITAL_CONFIG location in EEPROM. The host software now does need not calculate the additional delay required for every technology baud-rate.
				0	DigitalDelayFWEnabled. 0: Disable digital delay in FW. 1: Enable digital delay.
				2-1	Clif timer select 00b: timer0 -01b: timer1 -10b: timer2
				3	Enable/ Disable Internal regulated 3.3 V output (LDO_OUT)
				7-4	until FW 3.8: RFU
				4	from FW 3.9: DPC_XI_RAM_CORRECTION Enable/Disable bit: If this bit is set, the trim value for the AGC is the sum of the trim value stored in EEPROM and in the SYSTEM_CONFIG register (bits 19:12)
				7-5	From FW 3.9: RFU
until FW 3.6:					
0xE8 - 0xFF	RFU	R/W	-	7-0	RFU
all FW versions					
0xE9	DigiDelay_A_848 RW	R/W	1	7-0	Base digiDelay in used for type A: 848 base, 424 = base*2, 212 = Base*4, 106 = Base*8
0xEA	DigiDelay_B_848 RW	R/W	1	7-0	Base digiDelay in used for type B 848 base, 424 = base*2, 212 = Base*4, 106 = Base*8
0xEB	DigiDelay_F_424 RW	R/W	1	7-0	Base digiDelay in used for type F 424 base, 212 = Base*2
0xEC	DigiDelay_15693 RW_FastHigh	R/W	1	7-0	Base digiDelay in used for ISO15693 FAST_HIGH base, HIGH = base*2
0xED	DigiDelay_18000_2_848	R/W	1	7-0	Base digiDelay in used for type 18000_2_848
0xEE	DigiDelay_18000_4_848	R/W	1	7-0	Base digiDelay in used for type 18000_4_848
0xEF	RFU	R/W	1	7-0	-
0xF0	TestbusMode	R/W	1	7-0	1 = TESTBUS_MODE_ANALOG. 2 = TESTBUS_MODE_DIGITAL
0xF1	TbSelect	R/W	1	7-0	NUM_VALID_DIGI_TBSELECT = {0x00,0x01,0x10,0x1B,0x1D,0x30,0x58,0x70,0x73,0xB9} NUM_VALID_ANA_DAC_SRC_CONFIG = {0x01,0x02,0x03,0x04,0x05,0x06,0x07,0x09,0x0a}
0xF2	MapTb1_to_Tb0	R/W	1	7-0	0: Map Tb0 to Tb1 (default) 1: Map Tb1 to Tb0

EEPROM Address (HEX)	Field / Value	Access	Size (bytes)	Bits	Comments
0xF3	NumPadSignalMaps	R/W	1	7-0	Number of Pad signal maps configured.
0xF4	PadSignalMap	R/W	4	7-0	0xXY (X: Pad Location, Y: Testbus Bit position) X = Pad location 0 - IRQ (PWR_REQ) pin 1 - AUX2 (CLK_REQ) pin 2 - DWL_REQ pin 3 - AUX1 (TB6) pin 4-15 - RFU Y = bit position of the testbus to be routed to the pad 7..0 - bit7...bit0 on the testbus 8 - 13Mhz clock is available
0xF5	TbDac1	R/W	1	7-0	dac1 sources is routed to IRQ
0xF6	TbDac1	R/W	1	7-0	dac2 sources is routed to AUX2
0xFA-0xFE	RFU	-	1	7-0	RFU

11.5.3 RAM

The RAM is used as Input/Output buffer, and implements independent buffers for input and output. The buffers are able to improve the performance of a system with limited interface speed.

11.5.4 Register

Registers configure the PN5180 for a specific RF protocol and other functionality. Registers can be initialized using the host interface or by copying data from EEPROM to the register as done by the command LOAD_RF_CONFIG.

It is mandatory to use the command LOAD_RF_CONFIG for selection of a specific RF protocol.

11.6 Debug Signals

11.6.1 General functionality

The debugging of the RF functionality of the PN5180 is supported by a configurable test signal output possibility. Up to 2 analog or up to 4 digital test signals can be routed to configurable output pins of the PN5180. Test signals can be either analog or digital signals. The analog test signals contain the digital data of the signal processing unit of the PN5180, converted to analog signals by two DAC's to allow the inspection of these signals in real time.

The test bus functionality as such must be enabled in the EEPROM settings (EEPROM address: 0x17, TESTBUS_ENABLE).

Two commands exist for configuration of the digital and analog debug signal output, CONFIGURE_TESTBUS_DIGITAL and CONFIGURE_TESTBUS_ANALOG.

11.6.2 Digital Debug Configuration

The digital debug output is configured by the command CONFIGURE_TESTBUS_DIGITAL. Two parameters are passed within this command.

The first parameter (1 byte) defines the test signal group. Out of this test signal group, one signal can be selected for output on a pin of the PN5180 (4 bits).

The signal type of the chosen test signal group is selected by the low-nibble of parameter 2. A value of 8 on this position selects the 13.56 MHz clock to be put out on the selected pin.

The high nibble of parameter 2 (1 byte) selects the output pin for the selected test signal.

The following parameter groups are possible:

Table 52. Debug Signal Group Selection

Command parameter (hex)	Debug Signal Group
01	Clock signal group
1B	Transmitter encoder group
1D	Timer group
30	Card mode protocol group
58	Transceive group
70	Receiver data transfer group
73	Receiver error group

The second parameter defines the pin which is used for output of the test signal in the high nibble, and the signal from one of the Debug Signal groups that are put out in the low nibble.

11.6.2.1 Debug signal groups

Table 53. Clock Signal Group

Value low nibble (HEX)	Debug Function
9..15	RFU
8	13.56 MHz clock is put out
7	CLIF clock reset
6	Signal indicating the PLL is locked
5	Signal indicating an external Field is present
4	20 MHz clock from the high frequency oscillator
3	27.12 MHz clock from the PLL
2	27.12 MHz clock from the RF clock recovery
1	Multiplexed 27.12 MHz clock

High-performance multi-protocol full NFC frontend, supporting all NFC Forum modes

Value low nibble (HEX)	Debug Function
0	Multiplexed 13.56 MHz clock

Table 54. Transmitter Encoder Group

Value low nibble (HEX)	Debug Function
9..15	RFU
8	13.56 MHz clock is put out
7..2	RFU
1	Output TX envelope
0	Tx-IRQ

Table 55. Timer Group

Value low nibble (HEX)	Debug Function
9..15	RFU
8	13.56 MHz clock is put out
7	Running flag of timer T0
6	Expiration flag of timer T0
5	Running flag of timer T1
4	Expiration flag of timer T1
3	Running flag of timer T2
2	Expiration flag of timer T2
1..0	RFU

Table 56. Card mode Protocol Group

Value low nibble (HEX)	Debug Function
9..15	RFU
8	13.56 MHz Clock is put out
7	Synchronized clock-fail signal
6	Flag indicating that ISO/IEC14443 type A (Miller) was detected
5	Flag indicating that FeliCa 212 kBd (Manchester) was detected
4	Flag indicating that FeliCa 424 kBd (Manchester) was detected
3	Flag indicating that ISO/IEC14443 type B (NRZ) was detected
2	Flag indicating that the EOF was detected
1	CM data signal (Miller / Manchester / NRZ)

Value low nibble (HEX)	Debug Function
0	Signal indicating that the current data is valid

Table 57. Transceiver Group

Value low nibble (HEX)	Debug Function
9..15	RFU
8	13.56 MHz clock is put out
7	Signal indicating that the tx prefetch was completed
6	Signal initiating a tx prefetch at the BufferManager
5	Start of transmission signal to TxEncoder
4	enable reception signal to RxDecoder
3	indicator that the waiting time was already expired
2	Transceiver state2
1	Transceiver state1
0	Transceiver state0

Table 58. Receiver Data Transfer Group

Value low nibble (HEX)	Debug Function
9..15	RFU
8	13.56 MHz clock is put out
7	Signal from SigPro indicating a collision
6	Signal from SigPro indicating end of data
5	Signal from SigPro indicating that data is valid
4	Signal from SigPro indicating received data
3	Status signal set by rx_start, ends when RX is completely over
2	Status signal indicating actual reception of data
1	Reset signal for receiver chain (at start of RX)
0	Internal RxDec bitclk

Table 59. Receiver Error Group

Value low nibble (HEX)	Debug Function
9..15	RFU
8	13.56 MHz clock is put out
7	Combination of data/protocol error and collision

Value low nibble (HEX)	Debug Function
6	Set if RxMultiple is set, and the LEN byte indicates more than 28 bytes
5..3	RFU
2	Set if a collision has been detected
1	Protocol error flag
0	Data integrity error flag (Parity, CRC (Collision))

11.6.2.2 Digital Debug Output Pin Configuration

Table 60. Debug Signal Output Pin Configuration

Value high nibble (HEX)	Debug Function (PIN)
0	IRQ pin (B2 on TFBGA64 -39 on HVQFN40)
1	GPO1 pin (B3 on TFBGA64 - 38 on HVQFN40)
2	AUX2 pin (C1 on TFBGA64 - 02 on HVQFN40)
3	AUX1 pin (B1 on TFBGA64 - 40 on HVQFN40)
all others	RFU

The Digital Debug output pins are defined by the bits 4:7 in TB_POS

11.6.3 Analog Debug Configuration

For the output of an analog debug signal, two pins are available, AUX1 and AUX2. Internal digital signals are provided in real-time on the analog output pins without the need of using a high speed digital interface. Two provide this real time debugging functionality, two internal DAC's (Digital Analog Converter) convert internal digital signals of the PN5180 to analog analog signals and provide this signals on the output pins. Up to two analog output signals can be provided at the output pins AUX1,AUX2.

The analog signals provided at the output pins are defined by two parameters of the command CONFIGURE_TESTBUS_ANALOG.

11.7 AUX2 / DWL_REQ

11.7.1 Firmware update

The PN5180 offers the possibility to upgrade the internal Firmware.

The pin AUX2/DWL_REQ is a double function pin. During start-up (time from power-up of the IC until IDLE IRQ is raised), the pin is used in input mode. If the polarity on this AUX2/DWL_REQ pin during start-up is high, the PN5180 enters the download mode.

If the boot process is finished (indicated by the IDLE IRQ), the pin is switched to output mode and the pin can be used for general debug purpose.

Recommended sequence is to set the RESET_N level to 0, set AUX2 pin level to 1 and release RESET_N to 1.

Exiting the download mode is performed by setting the AUX2 pin to 0 and perform a reset of the PN5180.

11.7.2 Firmware update command set

The PN5180 uses a dedicated host interface command set for download of new firmware. The physical SPI host interface is used for download of a new firmware image. Security features are implemented to avoid intentional or unintentional modifications of the firmware image. The access to the IC is locked based on authentication mechanism to avoid unauthorized firmware downloads. The integrity of the firmware is ensured based on a secure hash algorithm,

The Firmware image can be identified based on a version number, which contains major and minor number.

For security reasons, the download of a smaller major version number than currently installed on the PN5180 is not possible.

11.8 RF Functionality

11.8.1 Supported RF Protocols

11.8.1.1 Communication mode for ISO/IEC14443 type A and for MIFARE Classic

The physical level of the communication is shown in [Figure 19](#).

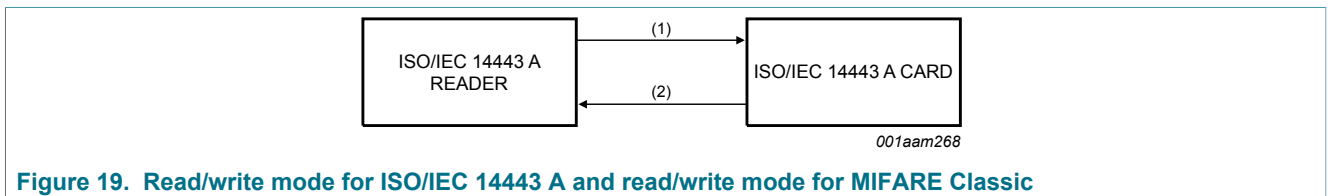


Figure 19. Read/write mode for ISO/IEC 14443 A and read/write mode for MIFARE Classic

The physical parameters are described in [Table 61](#).

Table 61. Communication overview for ISO/IEC 14443 type A and read/write mode for MIFARE Classic

Communication direction	Signal type	Transfer speed			
		106 kbit/s	212 kbit/s	424 kbit/s	848 kbit/s
Reader to card (send data from the PN5180A0xxC1/C2 to a card) $f_c = 13.56 \text{ MHz}$	reader side modulation	100 % ASK	100 % ASK	100 % ASK	100 % ASK
	bit encoding	modified Miller encoding	modified Miller encoding	modified Miller encoding	modified Miller encoding
	bit rate [kbit/s]	$f_c/128$	$f_c/64$	$f_c/32$	$f_c/16$
Card to reader (PN5180A0xxC1/C2 receives data from a card)	card side modulation	subcarrier load modulation	subcarrier load modulation	subcarrier load modulation	subcarrier load modulation
	subcarrier frequency	$f_c / 16$	$f_c / 16$	$f_c / 16$	$f_c / 16$
	bit encoding	Manchester encoding	BPSK	BPSK	BPSK

The PN5180A0xxC1/C2 connection to a host is required to manage the complete ISO/IEC 14443 type A and MIFARE Classic communication protocol. Figure 20 shows the data coding and framing according to communication mode for ISO/IEC14443 type A and for MIFARE Classic.

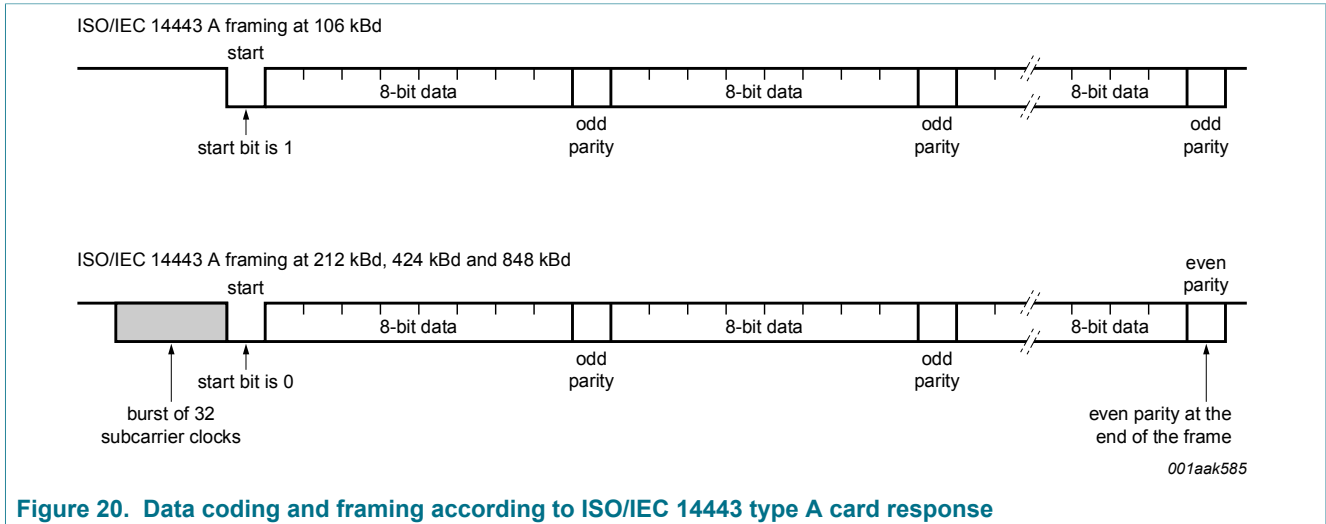


Figure 20. Data coding and framing according to ISO/IEC 14443 type A card response

The internal CRC coprocessor calculates the CRC value based on the selected protocol. In card mode for higher baud rates, the parity is automatically inverted as end of communication indicator. The selected protocol needs to be implemented on a host processor.

11.8.1.2 ISO/IEC14443 type B functionality

The physical level of the communication is shown in Figure 21.

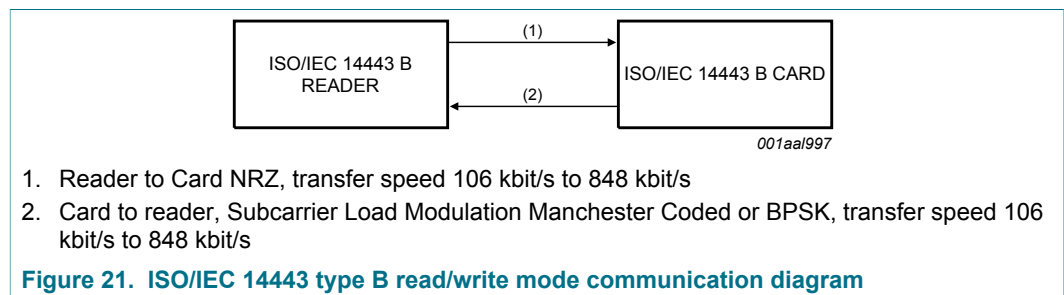


Figure 21. ISO/IEC 14443 type B read/write mode communication diagram

The physical parameters are described in Table 62.

Table 62. Communication overview for ISO/IEC 14443 B reader/writer

Communication direction	Signal type	Transfer speed			
		106 kbit/s	212 kbit/s	424 kbit/s	848 kbit/s
Reader to card (send data from the PN5180A0xxC1/C2 to a card) $f_c = 13.56 \text{ MHz}$	reader side modulation	10 % ASK	10 % ASK	10 % ASK	10 % ASK
	bit encoding	NRZ	NRZ	NRZ	NRZ
	bit rate [kbit/s]	$128 / f_c$	$64 / f_c$	$32 / f_c$	$16 / f_c$

High-performance multi-protocol full NFC frontend, supporting all NFC Forum modes

Communication direction	Signal type	Transfer speed			
		106 kbit/s	212 kbit/s	424 kbit/s	848 kbit/s
Card to reader (PN5180A0xxC1/C2 receives data from a card)	card side modulation	subcarrier load modulation	subcarrier load modulation	subcarrier load modulation	subcarrier load modulation
	subcarrier frequency	$f_c / 16$	$f_c / 16$	$f_c / 16$	$f_c / 16$
	bit encoding	BPSK	BPSK	BPSK	BPSK

The PN5180A0xxC1/C2 requires the host to manage the ISO/IEC 14443 type B protocol.

11.8.1.3 FeliCa RF functionality

The FeliCa mode is the general reader/writer to card communication scheme according to the FeliCa specification. The communication on a physical level is shown in Figure 22.

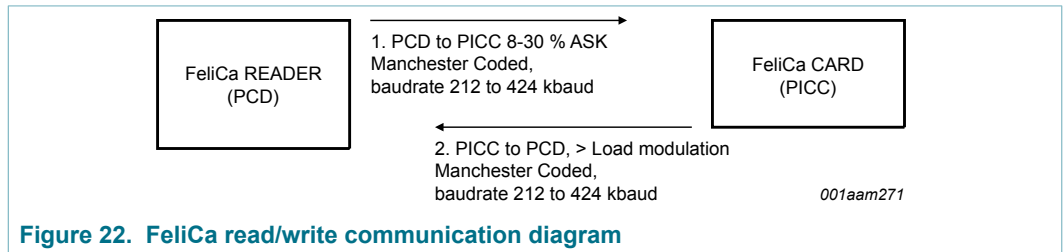


Figure 22. FeliCa read/write communication diagram

The physical parameters are described in Table 63.

Table 63. Communication for FeliCa reader/writer

Communication direction	Signal type	Transfer speed FeliCa	
		212 kbit/s	424 kbit/s
Reader to card (send data from the PN5180A0xxC1/C2 to a card) $f_c = 13.56$ MHz	reader side modulation	8 % to 30 % ASK	8 % to 30 % ASK
	bit encoding	Manchester encoding	Manchester encoding
	bit rate	$f_c/64$	$f_c/32$
Card to reader (PN5180A0xxC1/C2 receives data from a card)	card side modulation	Load modulation,	Load modulation,
	bit encoding	Manchester encoding	Manchester encoding

The PN5180A0xxC1/C2 needs to be connected to a host which implements the FeliCa protocol.

Multiple reception cycles (RxMultiple)

For FeliCa timeslot handling in PCD mode, PN5180 implements multiple reception cycles. The feature is enabled by setting the control bit RX_MULTIPLE_ENABLE in the register TRANSCEIVE_CONTROL in combination with the transceive state machine.

Unlike for normal operation, the receiver is enabled again after a reception is finished. As there is only one receive buffer available, but several responses are expected, the buffer is split into sub buffers of 32 byte length. Hence, the maximum number of

responses which can be handled is limited to 8. As the maximum length defined for a FeliCa response is 20 bytes, the buffer size defined does fulfill the requirements for that use-case. The first data frame received is copied onto buffer address 0. The subsequent frames are copied to the buffer address 32 * NumberOfReceivedFrames. The maximum number of data bytes allowed per frame is limited to 28.

All bytes in the buffer between the payload and the status byte are uninitialized and therefore invalid. The firmware on the host shall not use these bytes. The last word of the sub buffer (position 28 to 31) contains a status word. The status word contains the number of received bytes (may vary from the FeliCa length in case of an error), the CLError flag indicating any error in the reception (which is a combination of 3 individual error flags DATA_INTEGRITY_ERROR || PROTOCOL_ERROR || COLLISION_DETECTED) the individual error flags and the LenError flag indicating an incorrect length byte (either length byte is greater than 28 or the number of received bytes is shorter than indicated by the length byte). All unused bits (RFU) are masked to 0.

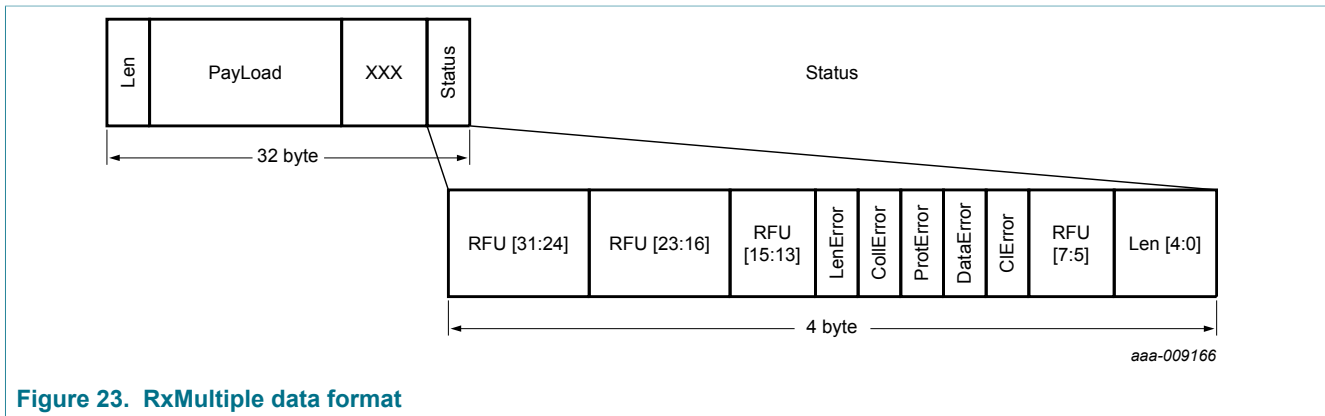


Figure 23. RxMultiple data format

There are 4 different cases possible for a reception:

1. Correct reception - Data integrity is correct (no CRC error), and additionally the number of bytes received is equal to the length byte. Data is written to the buffer. No error set in status byte.
2. Erroneous reception - Data is incorrect (data integrity error - CRC wrong) but frame length is correct. Data is written to buffer and the bits CLError and DataError in the status byte are set.
3. Erroneous reception - the length byte received indicates a frame length greater than 28. No data is copied to buffer but status byte with LenError bit set is written.
4. Erroneous reception - the length byte is larger than the number of data bytes, which have been received. Data received is written to buffer and the ProtocolError bit in the status byte is set.

For each reception, the RX_IRQ in the IRQ_STATUS is set. The host firmware can disable the IRQ and use a timer for timeout after the last timeslot to avoid excessive interaction with the hardware. At the end of the reception, additionally the bit field RX_NUM_FRAMES_RECEIVED in the register RX_STATUS is updated to indicate the number of received frames.

After the reception of the eight frames (which is the maximum supported), a state change to next expected state is executed (WaitTransmit for transceive command). It is possible to issue the IDLE command in order to leave the RxMultiple cycle.

Consequently the reception is stopped. Upon start of a new reception cycle, the flag RX_NUM_FRAMES_RECEIVED is cleared.

The duration between deactivate and reactivate is at minimum 2 RF cycles and can last typically up to 2 μ s.

11.8.1.4 ISO/IEC 15693 functionality

The physical parameters are described below.

Table 64. Communication for ISO/IEC 15693 reader/writer "reader to card"

Communication direction	Signal type	Transfer speed
		$f_c/512$ kbit/s
Reader to card (send data from the PN5180A0xxC1/C2 to a card)	reader side modulation	10 % to 30 % ASK 90 % to 100 % ASK
	bit encoding	1/4
	bit length	302.08 μ s

Table 65. Communication for ISO/IEC 15693 reader/writer "card to reader"

Communication direction	Signal type	Transfer speed			
		6.62 kbit/s	13.24 kbit/s	26.48 kbit/s	52.96 kbit/s ^[1]
Card to reader (PN5180A0xxC1/C2 receives data from a card) $f_c = 13.56$ MHz	card side modulation	not supported	not supported	single subcarrier load modulation ASK	single subcarrier load modulation ASK
	bit length (μ s)	-	-	37.76 (3.746)	18.88
	bit encoding	-	-	Manchester coding	Manchester coding
	subcarrier frequency [MHz]	-	-	$f_c/32$	$f_c/32$

[1] Fast inventory (page) read command only (ICODE proprietary command).

11.8.1.5 ISO/IEC 18000-3 Mode 3 functionality

The ISO/IEC 18000-3 mode 3 is not described in this document. For a detailed explanation of the protocol, refer to the ISO/IEC 18000-3 standard.

The diagram below illustrates the card presence check:

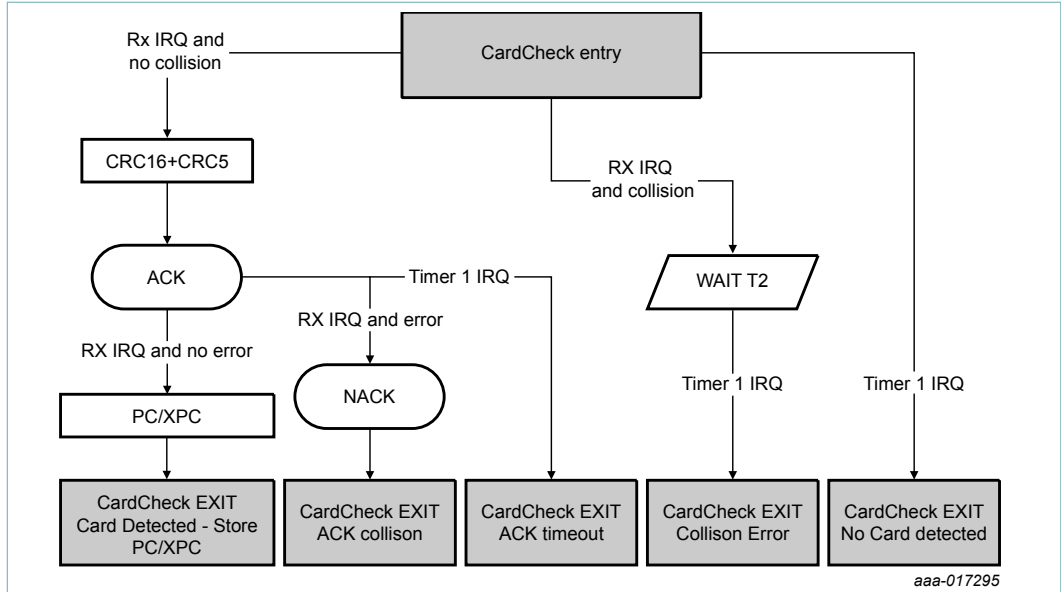


Figure 24. EPC_GEN2 Card presence check

Tag response available NO TagHandle	<table border="1"> <tr> <td>status 0x00</td> <td>Tag Reply length</td> <td>Valid bits in last byte</td> <td>Tag Reply</td> </tr> <tr> <td>1 byte</td> <td>1 byte</td> <td>1 byte</td> <td>n bytes (defined in Tag Reply Length)</td> </tr> </table>				status 0x00	Tag Reply length	Valid bits in last byte	Tag Reply	1 byte	1 byte	1 byte	n bytes (defined in Tag Reply Length)			
	status 0x00	Tag Reply length	Valid bits in last byte	Tag Reply											
1 byte	1 byte	1 byte	n bytes (defined in Tag Reply Length)												
Tag response available TagHandle available	<table border="1"> <tr> <td>status 0x01</td> <td>Tag Reply length</td> <td>Valid bits in last byte</td> <td>Tag Reply</td> <td>Tag handle</td> </tr> <tr> <td>1 byte</td> <td>1 byte</td> <td>1 byte</td> <td>n bytes (defined in TagReply Length)</td> <td>2 bytes</td> </tr> </table>					status 0x01	Tag Reply length	Valid bits in last byte	Tag Reply	Tag handle	1 byte	1 byte	1 byte	n bytes (defined in TagReply Length)	2 bytes
status 0x01	Tag Reply length	Valid bits in last byte	Tag Reply	Tag handle											
1 byte	1 byte	1 byte	n bytes (defined in TagReply Length)	2 bytes											
No Tag replied	<table border="1"> <tr> <td>status 0x02</td> <td colspan="3"></td> </tr> <tr> <td>1 byte</td> <td colspan="3"></td> </tr> </table>				status 0x02				1 byte						
status 0x02															
1 byte															
Two or more tags replied	<table border="1"> <tr> <td>status 0x03</td> <td colspan="3"></td> </tr> <tr> <td>1 byte</td> <td colspan="3">possible timeslot answers</td> </tr> </table>				status 0x03				1 byte	possible timeslot answers					
status 0x03															
1 byte	possible timeslot answers														

aaa-017298

Figure 25. EPC GEN2 possible timeslot answers

11.8.1.6 NFCIP-1 modes

Overview

The NFCIP-1 communication differentiates between an Active and a Passive Communication Mode.

- Active Communication mode means both the initiator and the target are using their own RF field to transmit data.
- Passive Communication mode means that the target answers to an initiator command in a load modulation scheme. The initiator is active in terms of generating the RF field.
- Initiator: Generates RF field at 13.56 MHz and starts the NFCIP-1 communication.
- Target: responds to initiator command either in a load modulation scheme in Passive Communication mode or using a self-generated and self-modulated RF field for Active Communication mode.

In order, to support the NFCIP-1 standard the PN5180A0xxC1/C2 supports the Active and Passive Communication mode at the transfer speeds 106 kbit/s, 212 kbit/s and 424 kbit/s as defined in the NFCIP-1 standard.

Active communication mode

Active communication mode means both the initiator and the target are using their own RF field to transmit data.

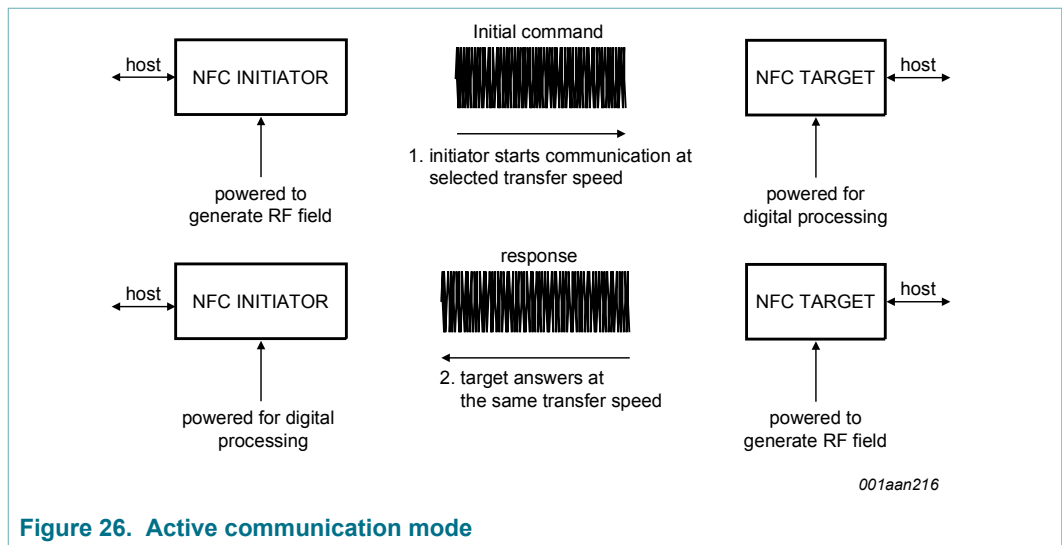


Figure 26. Active communication mode

Table 66. Communication overview for active communication mode

Communication direction	106 kbit/s	212 kbit/s	424 kbit/s
Initiator → Target	According to ISO/IEC 14443 type A 100 % ASK, modified Miller Coded	According to FeliCa, 8 % to 30 % ASK Manchester Coded	
Target → Initiator			

High-performance multi-protocol full NFC frontend, supporting all NFC Forum modes

A dedicated host controller firmware is required to handle the NFCIP-1 protocol. For this purpose NXP offers an NFC Reader library (check the NXP website) which supports Reader/Writer, P2P and CardEmulation modes.

Passive communication mode

Passive communication mode means that the target answers to an initiator command in a load modulation scheme. The initiator is active (powered) to generate the RF field.

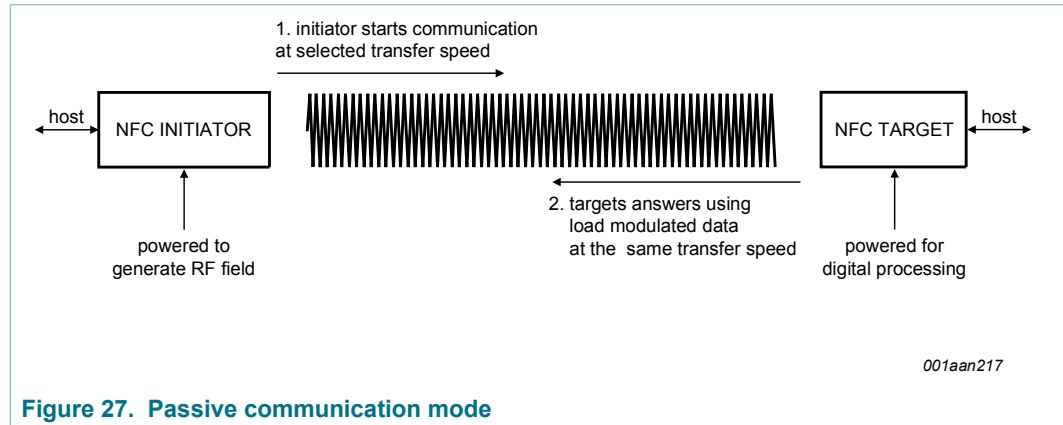


Figure 27. Passive communication mode

Table 67. Communication overview for passive communication mode

Communication direction	106 kbit/s	212 kbit/s	424 kbit/s
Initiator → Target	According to ISO/IEC 14443 type A 100 % ASK, Modified Miller Coded	According to FeliCa, 8 % to 30 % ASK Manchester Coded	
Target → Initiator	According to ISO/IEC 14443 type A @106 kbit modified Miller Coded	According to FeliCa, > 14 % ASK Manchester Coded	

A dedicated host controller firmware is required to handle the NFCIP-1 protocol.

Note: Transfer Speeds above 424 kbit/s are not defined in the NFCIP-1 standard.

NFCIP-1 protocol support

The NFCIP-1 protocol is not described in this document. The PN5180 does not implement any of the high-level protocol functions. These higher-level protocol functions need to be provided by the host. For detailed explanation of the protocol, refer to the NFCIP-1 standard. However the datalink layer is according to the following policy:

- Speed shall not be changed while continuous data exchange in a transaction.
- Transaction includes initialization, anticollision methods and data exchange (in continuous way, meaning no interruption by another transaction).

In order not to disturb current infrastructure based on 13.56 MHz, the following general rules to start an NFCIP-1 communication are defined:

1. Per default, an NFCIP-1 device is in Target mode - meaning its RF field is switched off.
2. The RF level detector is active.
3. Only if it is required by the application the NFCIP-1 device shall switch to Initiator mode.
4. An initiator shall only switch on its RF field if no external RF field is detected by the RF Level detector during a time of T_{IDT} . (Details are specified in the ISO/IEC 18092)
5. The initiator performs initialization according to the selected mode.

11.8.1.7 ISO/IEC 14443 type A Card operation mode

PN5180 can be configured to act as an ISO/IEC 14443 type A compliant card.

In this configuration, the PN5180 can generate an answer in a load modulation scheme according to the ISO/IEC 14443 A interface description.

Note: PN5180 does not support a complete card protocol. This card protocol has to be handled by a connected host controller. Nevertheless, the layer3 type A activation is handled by the NFC frontend. The Card Activated IRQ shall be enabled and notifies if a card activation had been successfully performed.

The supports ISO/IEC14443 type A card mode for data rates 106 kbit/s, 212kbit/s, 424 kbit/s and 848 kbit/s.

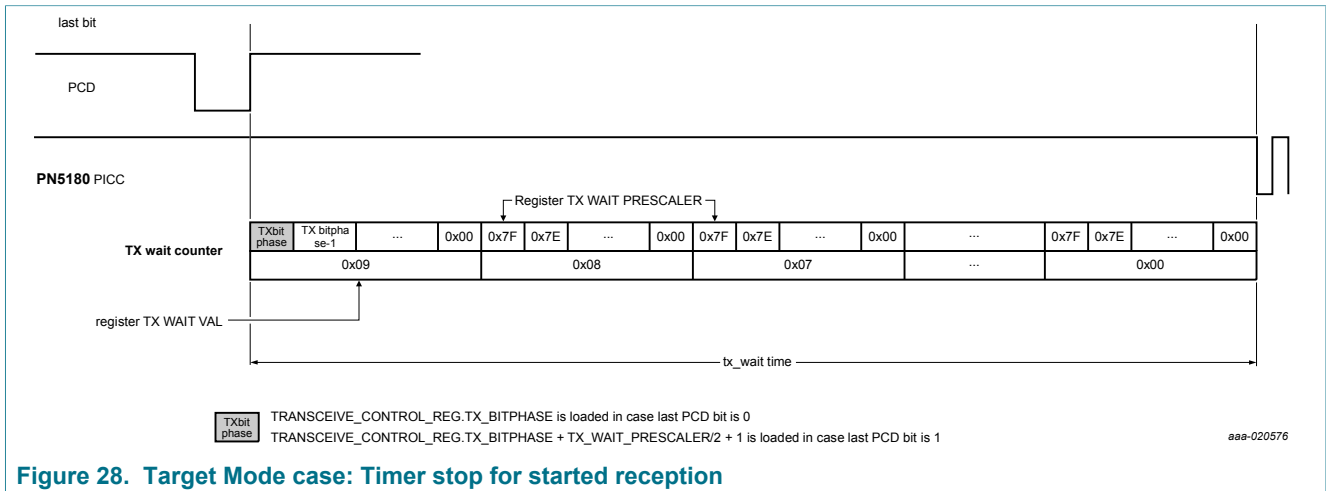


Figure 28. Target Mode case: Timer stop for started reception

11.8.1.8 NFC Configuration

The NFC protocol for the 106 kbit/s mode defines an additional Sync-Byte (0xF0 + parity) after the normal start bit had been transmitted. As this Sync-Byte includes a parity bit, it can be handled by a host firmware as a normal data byte.

11.8.1.9 Mode Detector

The Mode Detector is a functional block of the PN5180in PICC mode which senses for an RF field generated by another device. The mode detector allows distinguishing between type A and FeliCa target mode. Dependent on the recognized protocol generated by an initiator peer device the host is able to react. The PN5180 is able to emulate type A cards and peer to peer active target modes according to ISO/IEC 18092.

11.8.2 RF-field handling

The NFC frontend supports generation of a RF-field dependent on external conditions like presence of another NFC device generating an RF field. A flexible mechanism to control the RF field is available.

After power-up, the RF-field is off.

The instruction RF_ON enables the generation of a RF-field. The NFC frontend can perform an initial RF collision avoidance according to ISO/IEC 18092. Before enabling the RF-field, a field detection is automatically enabled for T_{IDT}. In case an external field is detected, the field is not switched on and an RF_ACTIVE_ERROR_IRQ is raised. The cause for the error can be examined in the RF_STATUS.

In order to switch off the RF-field generation, the RF_OFF instruction needs to be sent.

Active Mode is supported by configuring the RF_ON instruction.

11.8.3 Transmitter TX

The transmitter is able to drive an antenna circuit connected to outputs TX1 and TX2 with a 13.56 MHz carrier signal. The signal delivered on pins TX1 and pin TX2 is the 13.56 MHz carrier modulated by an envelope signal for energy and data transmission. It can be used to drive an antenna directly, using a few passive components for matching and filtering. For a differential antenna configuration, either TX1 or TX2 can be configured to put out an inverted clock. 100 % modulation and several levels of amplitude modulation on the carrier can be performed to support 13.56 MHz carrier-based RF-reader/writer protocols as defined by standards ISO/IEC14443 type A and B, FeliCa and ISO/IEC 18092.

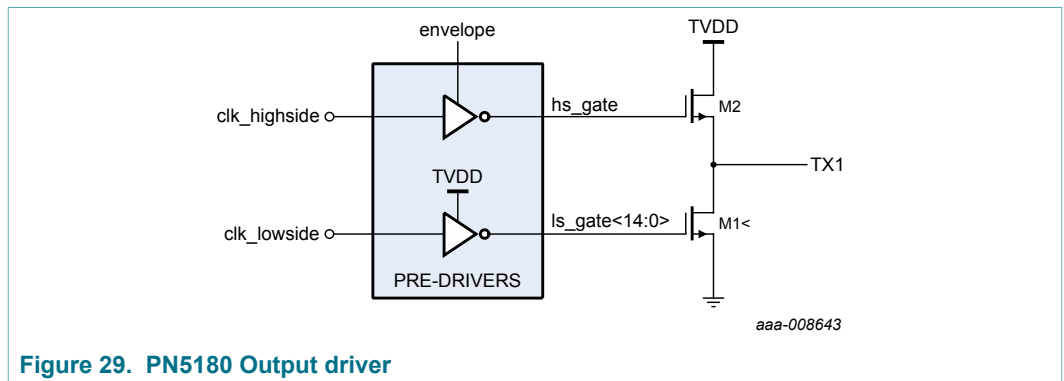


Figure 29. PN5180 Output driver

11.8.3.1 100 % Modulation

There are 5 choices for the output stage behavior during 100 % modulation, and one setting for 10 % modulation. This modulation is controlled by TX_CLK_MODE_RM in RF_CONTROL_TX_CLK:

Table 68. Settings for TX1 and TX2

TX_CLK_MODE_RM (binary)	Tx1 and TX2 output	Remarks
000	High impedance	-
001	0	output pulled to 0 in any case

TX_CLK_MODE_RM (binary)	Tx1 and TX2 output	Remarks
010	1	output pulled to 1 in any case
110	RF high side push	Open-drain, only high side (push) MOS supplied with clock, clock polarity defined by TX2_INV_RM; low side MOS is off
101	RF low side pull	Open-drain, only low side (pull) MOS supplied with clock, clock polarity defined by TX1_INV_RM; high side MOS is off
111	13.56 MHz clock derived from 27.12 MHz quartz divided by 2	push/pull Operation, clock polarity defined by invtx; setting for 10 % modulation

With the options "RF high side push" and "RF low side push", potentially faster fall times can be achieved for the antenna voltage amplitude at the beginning of a modulation. This basic behavior during modulation cannot be configured independently for TX1 and TX2. The clock polarity of each Transmitter driver can be configured separately with TX1_INV_RM and TX2_INV_RM if the PN5180 operating in reader mode, or TX1_INV_CM and TX2_INV_CM if the PN5180 is operating in card emulation mode.

11.8.3.2 10 % Amplitude Modulation

For a targeted ASK 10 % amplitude modulation, the bits RF_CONTROL_TX_CLK in register TX_CLK_MODE_RM need to be set to value 0b111. Then the signal envelope does not influence the clock behavior thus resulting in an ASK modulation to a modulation index as defined by RF_CONTROL_TX in the bits TX_RESIDUAL_CARRIER. The residual carrier setting is used to adjust the modulation degree at the TX output. A control loop is implemented to keep the modulation degree as constant as possible.

The settings and resulting typical residual carrier and modulation degree is given in table below:

Table 69. Modulation degree configuration

TX_RESIDUAL_CARRIER register setting	residual carrier nominal (%)	modulation degree nominal (%)
00h	100	0
01h	98	1.01
02h	96	2.04
03h	94	3.09
04h	91	4.71
05h	89	5.82
06h	87	6.95
07h	86	7.53
08h	85	8.11
09h	84	8.7
0Ah	83	9.29
0Bh	82	9.89

TX_RESIDUAL_CARRIER register setting	residual carrier nominal (%)	modulation degree nominal (%)
0Ch	81	10.5
0Dh	80	11.11
0Eh	79	11.73
0Fh	78	12.36
16	77	12.99
17	76	13.64
18	75	14.29
19	74	14.94
20	72	16.28
21	70	17.65
22	68	19.05
23	65	21.21
24	60	25
25	55	29.03
26	45	37.93
27	40	42.86
28	35	48.15
29	30	53.85
30	25	60
31	0	100

11.8.3.3 TX Wait

Tx_wait can be used for 2 different purposes:

On the one hand, it can be used to prevent start of transmission before a certain period has expired - even if the PN5180 has already finished data processing and set the START_SEND bit. This behavior is intended for the reader mode to guarantee the PICC to PCD frame delay time (FDT).

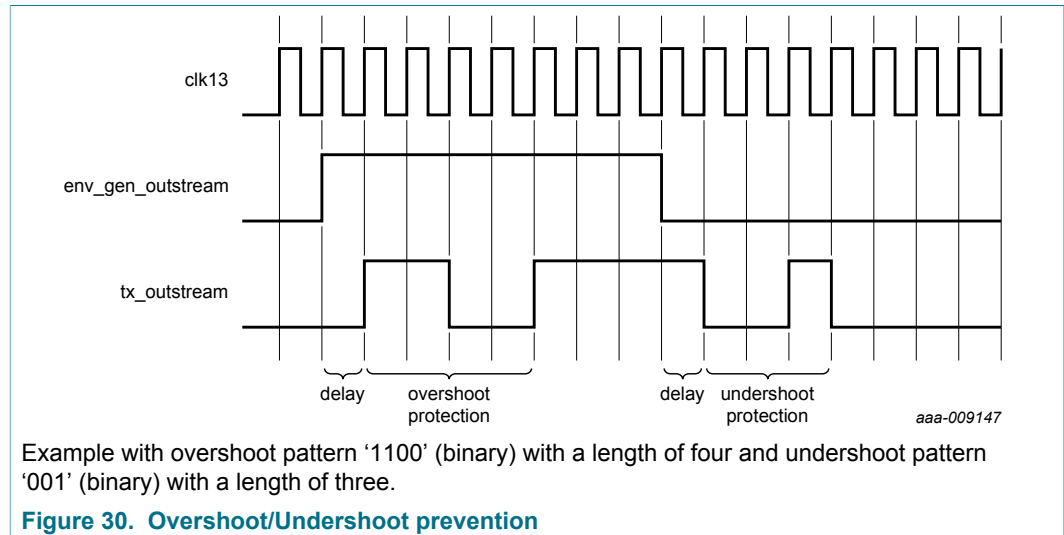
On the other hand, the tx_wait time can be used to start the transmission at an exactly defined time. For this purpose, data to be sent must be available and the START_SEND flag has to be set by FW before the period expires. In case the START_SEND bit is not set when tx_wait expires and MILLER_SYNC_ENABLE is set the transmission is started on the bit-grid.

The guard time tx_wait is started after the end of a reception, no matter if the frame is correct or erroneous. The tx_wait guard time counter is not started in case the reception is restarted because of an EMD-event or in case the RX_MULTIPLE_ENABLE bit is set to 1.

In case the register flag TX_WAIT_RFON_ENABLE is set to 1 the guard time counter is started when the devices own RF-Field is switched on.

To start a transmission, it is always necessary for the firmware to set the START_SEND bit in the SYSTEM_CONFIG register or sending the instruction SEND_DATA. Having said that it is possible to disable the guard time tx_wait by setting the register TX_WAIT_CONFIG to 00h.

11.8.3.4 Over- and Undershoot prevention



The over- and undershoot protection allows configuring additional signals on the Transmitter output which allows to control the signal shaping of the antenna output.

The registers TX_OVERSHOOT_CONFIG and TX_UNDERSHOOT_CONFIG are used to configure the over-and undershoot protection. Additionally, in register RF_CONTROL_TX_CLK (bit TX_CLK_MODE_OVUN_PREV) it is defined which TX clock mode for the period the overshoot/undershoot prevention is active, and RF_CONTROL_TX (bit TX_RESIDUAL_CARRIER_OV_PREV) defines the value for the residual carrier for the period the overshoot prevention pattern is active.

11.8.4 Dynamic Power Control (DPC)

The Dynamic Power Control allows adjusting the Transmitter output current dependent on the loading condition of the antenna.

A lookup table is used to configure the output voltage and by this control the transmitter current. In addition to the control of the transmitter current, wave shaping settings can be controlled dependent on the selected protocol and the measured antenna load.

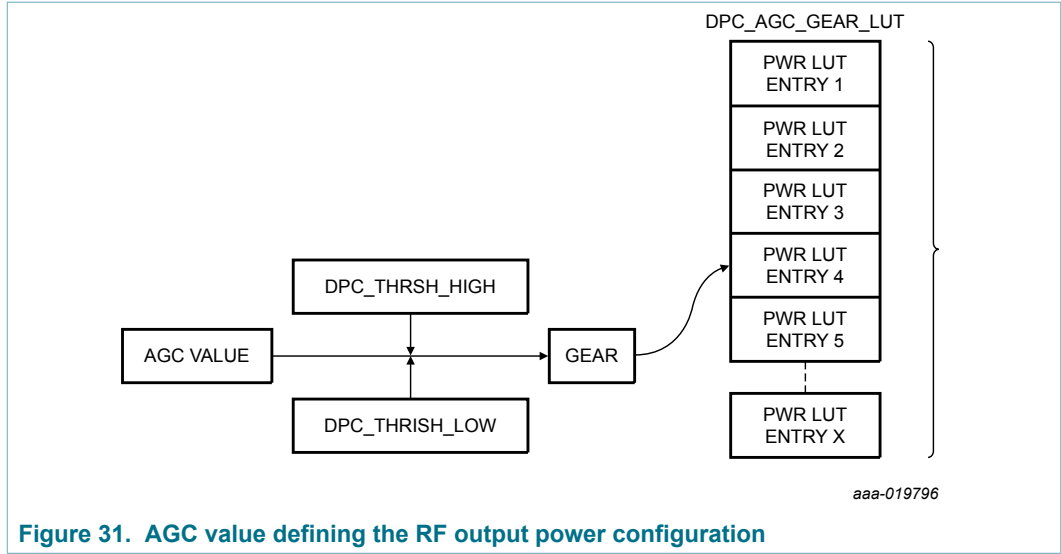


Figure 31. AGC value defining the RF output power configuration

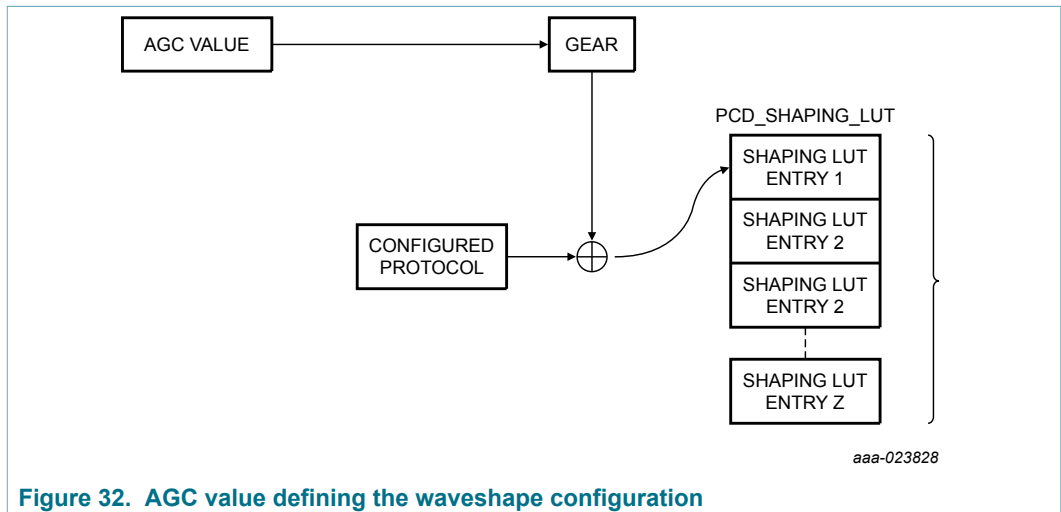


Figure 32. AGC value defining the waveshape configuration

The PN5180 allows measuring periodically the RX voltage. The RX voltage is used as indicator for the actual antenna current. The voltage measurement is done with the help of the AGC. The time interval between two measurements can be configured with the OC_TIME byte in the EEPROM.

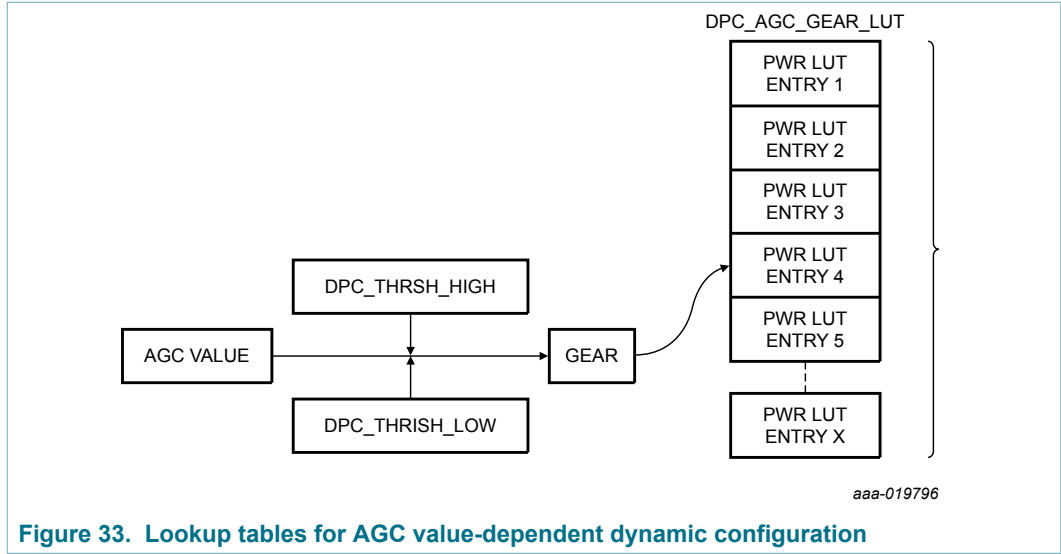


Figure 33. Lookup tables for AGC value-dependent dynamic configuration

The AGC value is compared to a maximum and minimum threshold value which is stored in EEPROM.

If the AGC value is exceeding one of the thresholds, a new gear configuring another transmitter supply driver voltage will be activated. The number of gears - and by these transmitter supply voltage configurations - can be defined by the application, up to 15 gears are available.

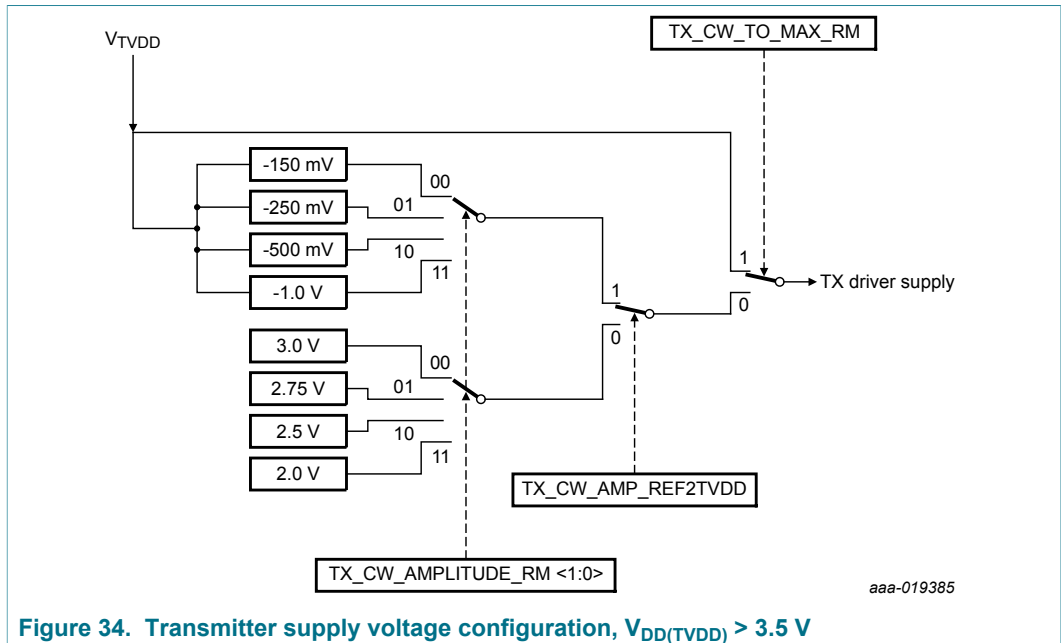


Figure 34. Transmitter supply voltage configuration, $V_{DD(TVDD)} > 3.5 V$

11.8.5 Adaptive Waveform Control (AWC)

Depending on the level of detected detuning of the antenna, RF wave shaping related register settings can be automatically updated. The shaping related register settings are stored in a lookup table located in EEPROM, and selected dependent on the actual gear. The gear numbers need to be provided as part of the lookup table entries and

need to be provided in ascending order in the EEPROM. Each lookup table entry allows configuring not only a dedicated wave shaping configuration for the corresponding gear, but in additionally it is possible to configure for this gear the wave shaping configuration dependent on the different protocols.

Each lookup table item contains a bitmask of technology and baud rate (in order to use an entry for multiple technologies and baudrates), the DPC Gear and a relative value (change compared to actual setting of register RF_CONTROL_TX) for TAU_MODE_FALLING, TAU_MODE_RISING and TX_RESIDUAL_CARRIER.

Table 70. Wave shaping lookup table

Bit position	Function of each DWORD
29:31	RFU
16:28	Bitmask identifying technology and baud rate
	0001h A 106
	0002h A 212
	0004h A 424
	0008h A 848
	0010h B 106
	0020h B 212
	0040h B 424
	0080h B 848
	0100h F 212
	0200h F424
	0400h ISO/IEC 15693 ASK10
	0800h ISO/IEC 15693 ASK100
	1000h ISO/IEC 18000m3
12_15	RESIDUAL_CARRIER (Sign bit (MSB) + 3-bit value) 0: Add value to current residual carrier configuration, 1; subtract value from current residual carrier configuration
8:11	TAU_MOD_RISING (Sign bit (MSB) + 3-bit value) 0: Add value to current TAU_MOD_RISING configuration, 1; subtract value from current TAU_MOD_RISING configuration
4:7	TAU_MOD_FALLING (Sign bit (MSB) + 3-bit value) 0: Add value to current TAU_MOD_FALLING configuration, 1; subtract value from current TAU_MOD_FALLING configuration
0:3	DPC Gear

If there is a gear switch, a EEPROM lookup is performed if the current gear (at current protocol and baud rate) has an assigned wave shaping configuration. In case of an execution of a LoadProtocol command, this lookup will be performed (example: switching from baud rate A106 to A424) as well. The change from the wave shaping configuration as configured by LOAD_RF_CONFIG is relative, which means that bits are added or subtracted from the existing configuration. For an increasing gear value, the defined change is cumulative.

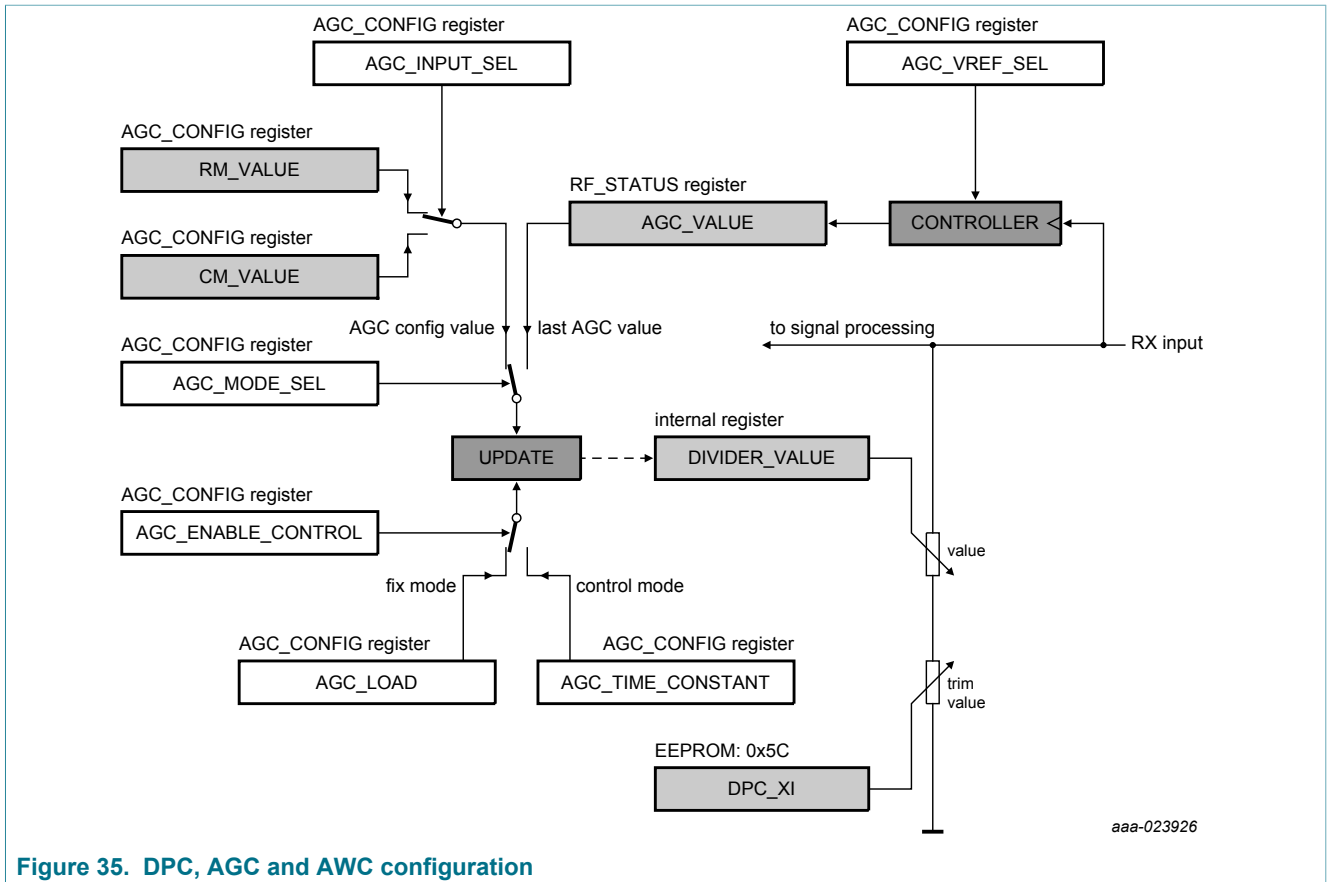


Figure 35. DPC, AGC and AWC configuration

11.8.6 Adaptive Receiver Control (ARC)

(Available from Firmware 2.6 onwards) Depending on the level of detected detuning of the antenna, receiver-related register settings can be automatically updated. The registers which allow to be dynamically controlled are RX_GAIN and RX_HPCF.

The size of the Lookup table for the ARC is done in the upper nibble of the entry PCD_SHAPING_LUT_SIZE (0x97). In case this entry is zero, the ARC is deactivated. In total 20 entries (20*1 DWORD = 80 bytes) + 1 byte for length (upper nibble for RX Gain, and lower nibble for PCD shaping) can be used for both PCD shaping (AWC) and RX Gain configuration (ARC) in the EEPROM.

The ARC lookup table (configuration data) is added at the end of the AWC (waveshaping) lookup table. This provides maximum flexibility and allows to define different lookup table sizes for both AWC and ARC. Care must be taken if the size of the AWC table is changed, this results in invalid ARC data which might have been previously configured since the ARC table offset changes as a result of the changed AWC size.

The Adaptive Receiver Control settings override the default RX_GAIN and RX_HPCF register configuration done by LoadProtocol.

In case of a gear switch, an EEPROM lookup is performed. If the current gear (at current protocol and baud rate) has an assigned RX_GAIN and RX_HPCF configuration, this value is used to update the current receiver register configuration.

11.8.7 Transceive state machine

The transceive command allow transmitting and the following expected receive data with a single command.

The transceive state machine is used to trigger the reception and transmission of the RF data dependent on the conditions of the interface.

The state machine for the command transceive is started when the SYSTEM_CONFIG command is set to transceive. The transceive command does not terminate automatically. In case of an error, the host can stop the transceive state machine by setting the SYSTEM_CONFIG.command to IDLE.

START_SEND can either be triggered by writing to the SYSTEM_CONFIG register start_send or by using the command SET_INSTR_SEND_DATA.

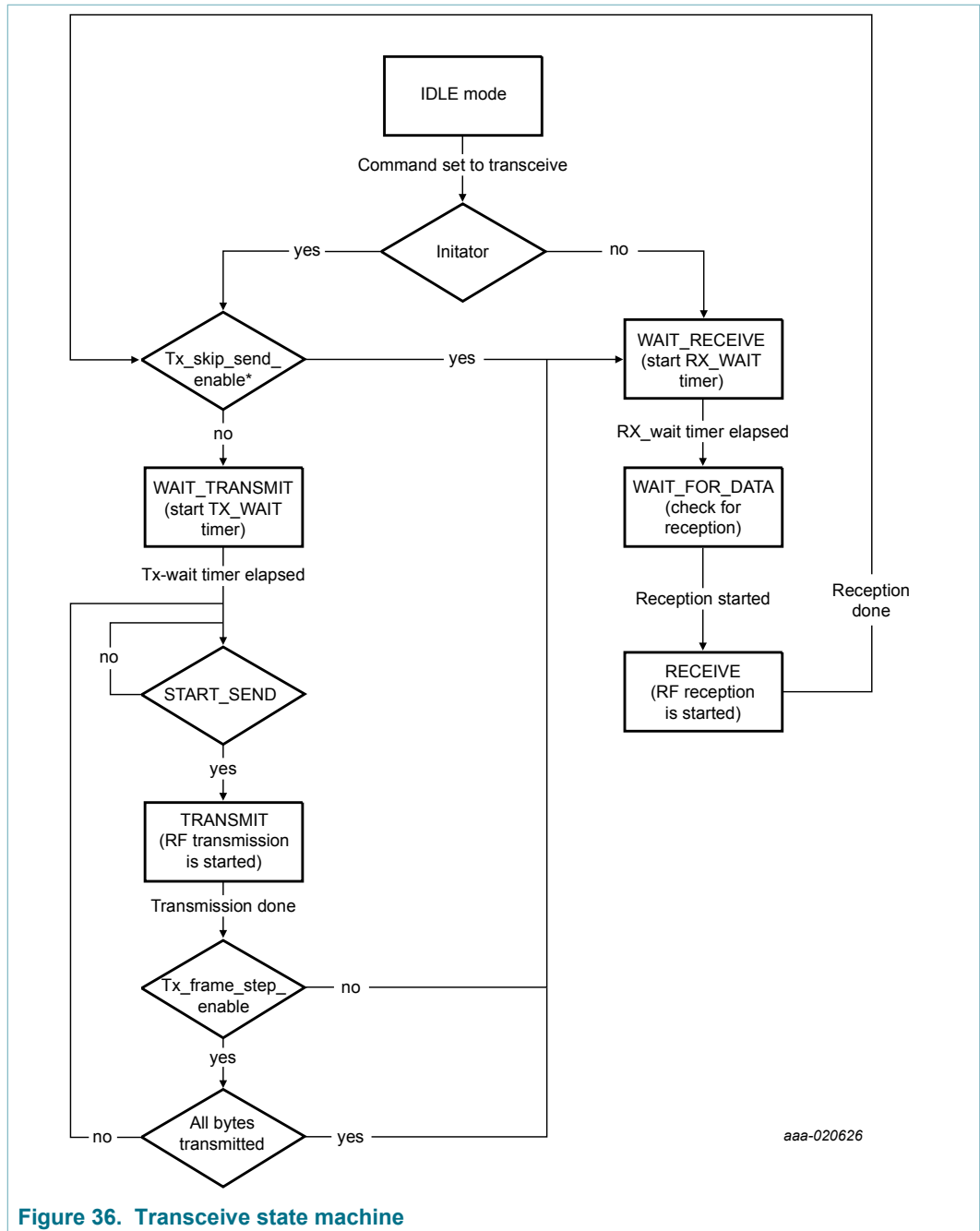


Figure 36. Transceive state machine

11.8.8 Autocoll

The Autocoll state machine performs the time critical activation for Type-A PICC and for NFC-Forum Active and Passive Target activation.

The PICC state machine supports three configurations:

- Autocoll mode0: Autocoll mode is left when no RF field is present
- Autocoll mode1: Autocoll mode is left when one technology is activated by an external reader. During RFOff, the chip enters standby mode automatically

- Autocoll mode2: Autocoll mode is left when one technology is activated by an external reader. During RFOff, the chip does not enter standby mode.

At start-up, the Autocoll state machine automatically performs a LOAD_RF_CONFIG with the General Target Mode Settings. When a technology is detected during activation, the Autocoll state machine performs an additional LOAD_RF_CONFIG with the corresponding technology.

The card configuration for the activation is stored in EEPROM. If RandomUID is enabled (EEPROM configuration, Address 0x51), a random UID is generated after each RF-off.

For all active target modes, the own RF field is automatically switched on after the initiator has switched off its own field.

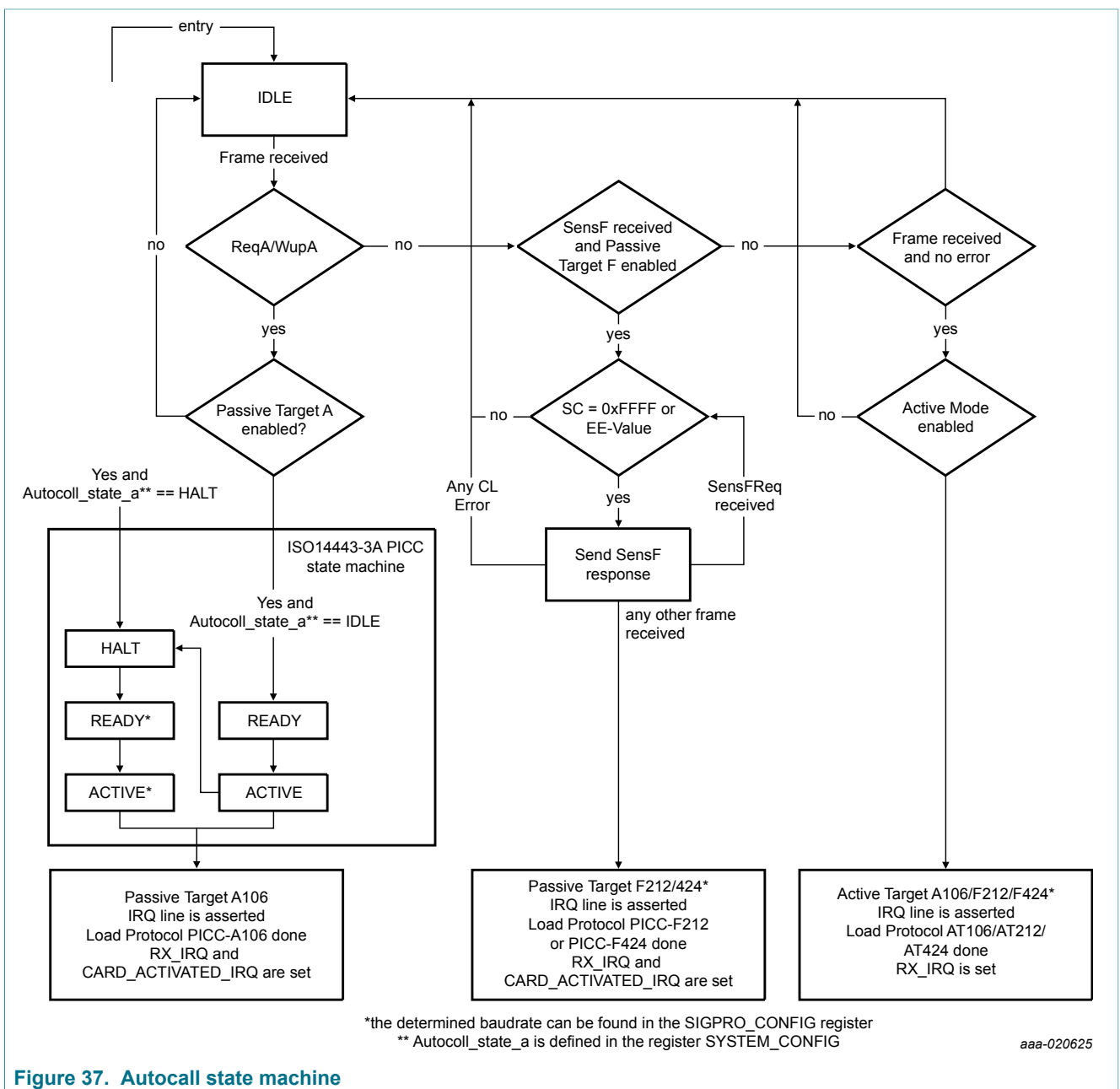


Figure 37. Autocoll state machine

11.8.9 Receiver RX

11.8.9.1 Reader Mode Receiver

In Reader Mode, the response of the PICC device is coupled from the PCB antenna to the differential input RXP/RXN. The Reader Mode Receiver extracts this signal by first removing the carrier in passive mixers (direct conversion for I and Q), then filtering and amplifying the baseband signal, and finally converting to digital values with 2 separate ADCs for I and Q channel. Both the I and Q channels have a differential structure which improves the signal quality.

The I/Q-Mixer mixes the differential input RF-signal down to the baseband. The mixer has a band width of 2 MHz.

The down mixed differential RX input signals are passed to the BBA and band-pass filtered. In order to consider all the various protocols (Type A/B, FeliCa), the high-pass cut-off frequency of BBA can be configured between 45 kHz and 250 kHz in 4 different steps. The low-pass cut-off frequency is above 2 MHz.

This band-passed signal is then further amplified with a gain factor which is configurable between 30 dB and 60 dB. The baseband amplifier (BBA)/ADC I- and Q- channel can be enabled separately. This is required for ADC-based CardMode functionality as only the I-channel is used in this case.

The gain and high pass corner frequency of the BBA are not independent from each other:

Table 71. Table 71.

Gain setting	HPCF setting	HPCF (kHz)	LPCF (MHz)	Gain (sB20)	Band width (MHz)
Gain3	0	39	3.1	60	3.1
	1	78	3.2	59	3.1
	2	144	3.5	58	3.3
	3	260	4.1	56	3.8
Gain2	0	42	3.1	51	3.1
	1	82	3.3	51	3.2
	2	150	3.7	49	3.5
	3	271	4.3	47	4.0
Gain1	0	41	3.7	43	3.7
	1	82	4.0	42	3.9
	2	151	4.5	41	4.3
	3	276	5.5	39	5.2
Gain0	0	42	3.8	35	3.8
	1	84	4.1	34	4.0
	2	154	4.7	33	4.5
	3	281	5.7	31	5.4

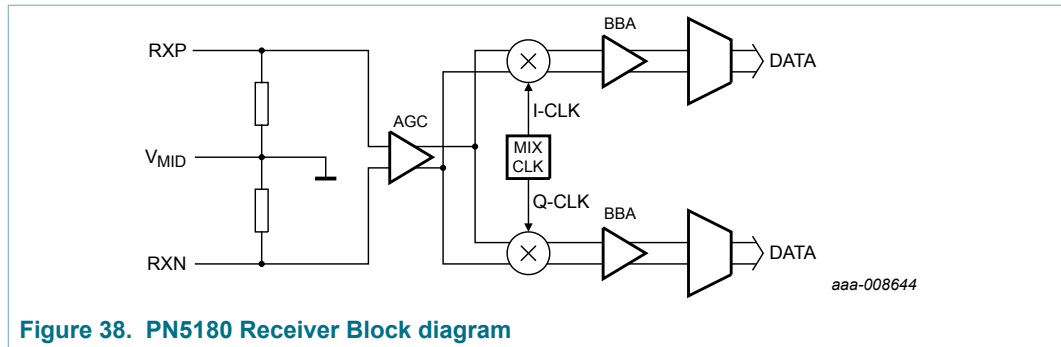


Figure 38. PN5180 Receiver Block diagram

11.8.9.2 Automatic Gain Control

The Automatic Gain Control (AGC) of the receiver is used to control the amplitude of the received 13.56 MHz input sine-wave signal from the antenna (input pins RXP and RXN).

It is desirable to achieve an input voltage in the range of 1.5 V to 1.65 V at the pins RXP, RXN. For symmetric antennas, the voltage levels are the same on the pins RXP, RXN. A voltage lower than 1.5 V lead to a reduced sensitivity of the receiver, a voltage level higher than 1.65 V could result in clipping of the received signal in the signal processing unit of the PN5180. Both conditions should be avoided for optimum performance of the IC. An antenna detuning caused by the presence of a card, or mobile phone will typically result in an RX input level which is outside the desired input voltage range. Here the AGC helps to simplify the design by keeping the RX voltage automatically within the range of 1.5 V to 1.65 V even under dynamic changing antenna detuning conditions.

Functional description:

The peak of the input signal at RXP is regulated to be equal to a reference voltage (internally generated from the supply using a resistive divider). Two external resistors are connected to the RX inputs, the specific value of these resistors in a given design depends on the selected antenna and needs to be determined during development. This external resistor, together with an on-chip variable resistor connected to VMID, forms a resistive voltage divider for the signal processor input voltage. The resolution of the variable resistor is 10 bits.

By varying the on-chip resistor, the amplitude of the input signal can be modified. The on-chip resistor value is increased or decreased depending on the output of the sampled comparator, until the peak of the input signal matches the reference voltage. The amplitude of the RX input is therefore automatically controlled by the AGC circuit.

The internal amplitude controlling resistor in the AGC has a default value of 10 kOhm typ DC coupled. (i.e. when the resistor control bits in AGC_VALUE <9:0> are all 0, the resistance is 10 k). As the control bits are increased, resistors are switched in parallel to the 10k resistor thus lowering the combined resulting resistance value down to 20 Ohm DC coupled (AGC_VALUE <9:0>, all bits set to 1).

11.8.9.3 RX Wait

The guard time rx_wait is started after the end of a transmission. If the register flag RX_WAIT_RFON_ENABLE is set to 1 the guard time is started when the device switches off its own RF-Field and an external RF-Field was detected.

The guard time rx_wait can be disabled by setting the register RX_WAIT_VALUE to 00h meaning the receiver is immediately enabled.

11.8.9.4 EMD Error handling

EMVCo

The PN5180 supports EMD handling according to the EMVCo standard. To support further extension the EMD block is configurable to allow adoption for further standard updates.

The PN5180 supports automatic restart of the receiver and CLIF timer1 is restarted in case of an EMD event. The CLIF timer is selectable in the EMD_CONTROL register.

An EMD event is generated:

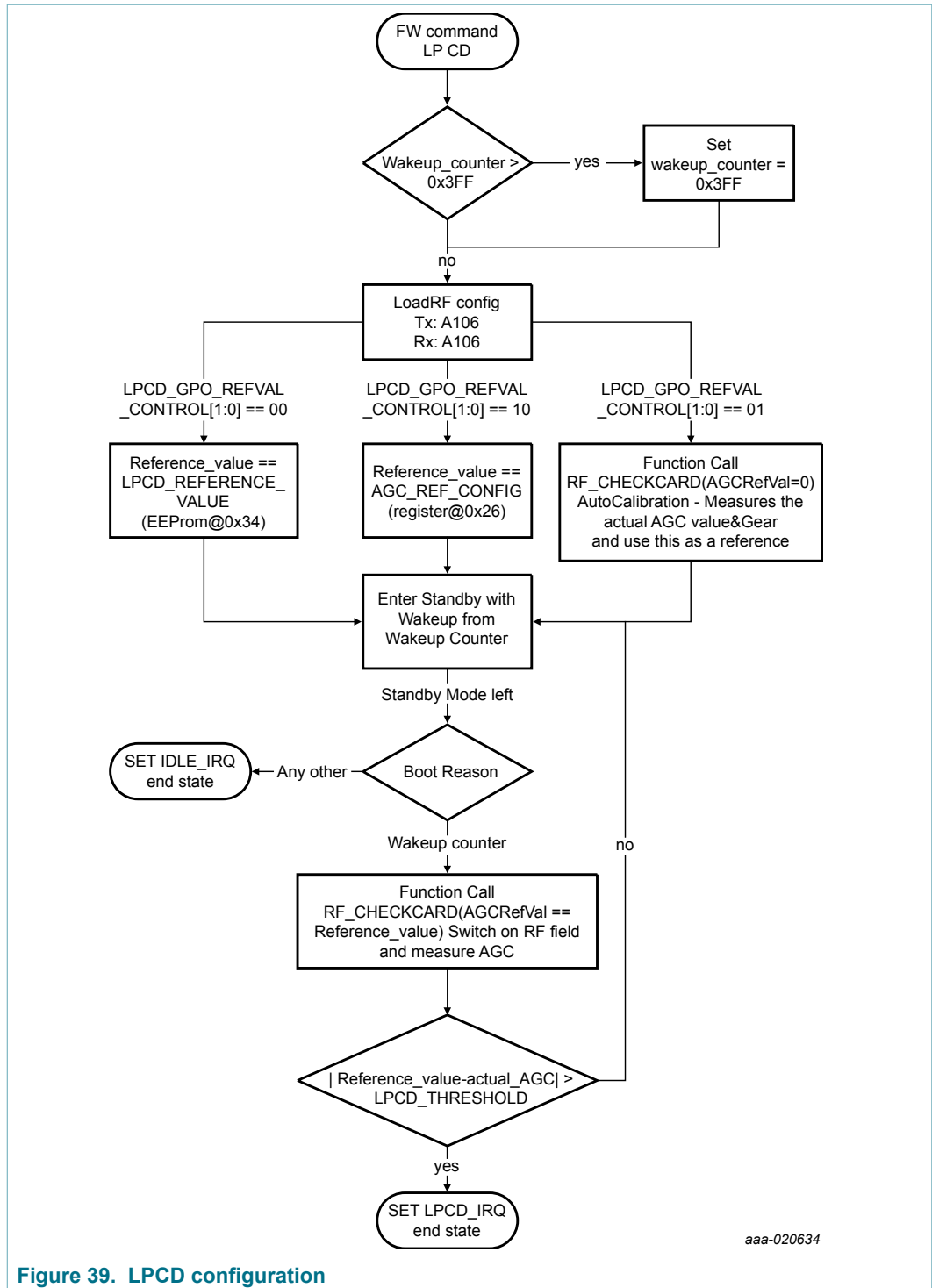
- Independent of received number of bytes
- Any Residual bits and EMD_CONTROL.emd_transmission_error_above_noise = 0
- When the received number of bytes without CRC is <= EMD_CONTROL.emd_noise_bytes_threshold
- Independent of received number of bytes
- Any Residual bits and EMD_CONTROL.emd_transmission_error_above_noise = 0
- When the received number of bytes without CRC is <= EMD_CONTROL.emd_noise_bytes_threshold
- Missing CRC (1 byte frame) when EMD_CONTROL.emd_missing_crc_is_protocol_error_type_X = 0

11.8.10 Low-Power Card Detection (LPCD)

The low-power card detection is an energy saving configuration option for the PN5180.

A low frequency oscillator (LFO) is implemented to drive a wake-up counter, waking-up PN5180 from standby mode. This allows implementation of low-power card detection polling loop at application level.

The SWITCH_MODE instruction allows entering the LPCD mode with a given standby duration value.



Before entering the LPCD mode, an LPCD reference value needs to be determined. Three options do exist for generating this reference value.

The LPCD works in two phases:

First the standby phase is controlled by the wake-up counter (timing defined in the instruction), which defines the duration of the standby of the PN5180.

Second phase is the detection-phase. The RF field is switched on for a defined time (EEPROM configuration) and then the AGC value is compared to a reference value.

- If the AGC value exceeds the reference value, a LPCD_IRQ is raised to the host. The register configurations done by the host are not restored after wake-up. command. The host has to configure the NFC frontend for a dedicated protocol operation to allow a polling for a card.
- If the AGC value does not exceed the limit of the reference value, no LPC_IRQ is raised and the IC is set to the first phase (standby mode) again.

As an additional feature the GPO1 (general-purpose output) pin can be enabled to wake-up an external DC/DC from power down for the TVDD supply. The GPO1 allows setting to high before the transmitter is switched on. This allows the wake-up of an external DC/DC from power down. The GPO1 can be set to low after the RF field is switched off to set an external DC/DC into power-down mode. The time of toggling the GPO in relation to the RF-on and RF-off timings can be configured in EEPROM addresses 0x39 and 0x3A.

These two phases are executed in a loop until

1. Card / metal is detected (LPCD_IRQ is raised).
Reset occurs, which resets all the system configurations. The LPCD is also stopped in this case.
NSS on Host IF
2. RF Level Detected

The behavior of the generated field is different dependent on the activation state of the DPC function:

- If the DPC feature is not active, the ISO/IEC14443 type A 106 kbit/s settings are used during the sensing time.
- If the DPC is active, the RF_ON command is executed. The RF field is switched on as soon as the timer configured by the SWITCH_MODE command elapses. The RF field is switched on for a duration as defined for an activated DPC. The timer for the LPCD_FIELD_ON_TIME starts to count as soon as the RF_ON command terminates.

Table 72. Low-Power Card Detection: EEPROM configuration

EEPROM address	Name	Bit	value	Description
0x34	LPCD_REFERENCE_VALUE	-	-	2 bytes: bit 9:0 AGC reference value; bit 13:10 AGC gear
0x36	LPCD_FIELD_ON_TIME	-	-	1 byte: Defines the RF-ON time for the AGC measurement. The minimum RF-ON time depends on the antenna configuration and the connected matching network. It needs to be chosen in such a way that a stable condition for the AGC measurement is given at the end of the time. The byte defines the delay multiplied by 8 in microseconds.
0x37	LPCD_THRESHOLD	-	-	1 byte: Defines the AGC threshold value. This value is used to compare against the current AGC value during the low-power card detection phase. if the difference between AGC reference value and current AGC value is greater than LPCD_THRESHOLD, the IC wakes up from LPCD.
0x38	up to firmware version 3.5: LPCD_REFVAL_CONTROL	-	-	LPCD Reference Value Selection and GPO control
		2		Control of GPO1 in relation to RF-ON
		1		Enable Control (e.g. for external TVDD DC/DC) via GPO1
		0		Disable Control (e.g. for external TVDD DC/DC) via GPO1

EEPROM address	Name	Bit	value	Description	
		1:0		Source of AGC reference value	
			11	RFU	
			10	Use AGC Reference value and AGC gear from the register AGC_REF_CONFIG.	
			01	Use one AGC measurement to get reference value	
			00	Use EEPROM value for reference value	
	from firmware version 3.6 onwards LPCD_REFVAL_GPO_CONTROL	-	-	-	This byte in EEPROM is used to control the GPO assertion during wake-up and LPCD card detect.
		1:0	-	-	Defines the source of the LPCD reference value
			00	Use EEPROM Value for reference value	
			01	Use one AGC measurement to get reference value	
			10	Use AGC Reference value and AGC gear from the register AGC_REF_CONFIG.	
			11	RFU	
		2	-	-	Allows enabling a GPO output level change during wake-up from standby, before the RF field is switched on. This allows waking-up an external DC/DC supplying the transmitter (pin TVDD).
			0	Disable Control for external TVDD DC/DC via GPO1	
			1	Enable Control for external TVDD DC/DC via GPO1	
		3	-	-	GPO2 Control for external TVDD DC/DC during wake-up from standby
0			Disable Control of external TVDD DC/DC via GPO2 on LPCD Card Detect		
1	Enable Control of external TVDD DC/DC via GPO2 on LPCD Card Detect				
4	-	-	GPO1 Control for external TVDD DC/DC during wake-up from standby		
	0	Disable Control of external TVDD DC/DC via GPO1 on wake-up from standby			
	1	Enable Control of external TVDD DC/DC via GPO1 on wake-up from standby			
0x39	LPCD_GPO_TOGGLE_BEFORE_FIELD_ON	-	-	1 byte: This value defines the time between setting GPO1 until field is switched on. The byte defines the time multiplied by 5 in microseconds.	
0x3A	LPCD_GPO_TOGGLE_AFTER_FIELD_ON	-	-	1 byte: This value defines the time between field off and clearing GPO1. The byte defines the time multiplied by 5 in microseconds.	

11.8.10.1 Check Card register

The Check Card register at register 0x26 performs one LPCD cycle. This means that only the second phase - the detection phase is executed.

11.9 Register overview

11.9.1 Register overview

Table 73. Register address overview

Address (HEX)	Address (decimal)	Name
0h	0	SYSTEM_CONFIG
1h	1	IRQ_ENABLE
2h	2	IRQ_STATUS
3h	3	IRQ_CLEAR
4h	4	TRANSCEIVER_CONFIG
5h	5	PADCONFIG
6h	6	RFU
7h	7	PADOUT
8h	8	TIMER0_STATUS
9h	9	TIMER1_STATUS
Ah	10	TIMER2_STATUS
Bh	11	TIMER0_RELOAD
Ch	12	TIMER1_RELOAD
Dh	13	TIMER2_RELOAD
Eh	14	TIMER0_CONFIG
Fh	15	TIMER1_CONFIG
10h	16	TIMER2_CONFIG
11h	17	RX_WAIT_CONFIG
12h	18	CRC_RX_CONFIG
13h	19	RX_STATUS
14h	20	TX_UNDERSHOOT_CONFIG
15h	21	TX_OVERSHOOT_CONFIG
16h	22	TX_DATA_MOD
17h	23	TX_WAIT_CONFIG
18h	24	TX_CONFIG
19h	25	CRC_TX_CONFIG
1Ah	26	SIGPRO_CONFIG
1Bh	27	SIGPRO_CM_CONFIG
1Ch	28	SIGPRO_RM_CONFIG
1Dh	29	RF_STATUS
1Eh	30	AGC_CONFIG
1Fh	31	AGC_VALUE

Address (HEX)	Address (decimal)	Name
20h	32	RF_CONTROL_TX
21h	33	RF_CONTROL_TX_CLK
22h	34	RF_CONTROL_RX
23h	35	LD_CONTROL
24h	36	SYSTEM_STATUS
25h	37	TEMP_CONTROL
26h	38	CECK_CARD_RESULT
27h	39	DPC_CONFIG
28h	40	EMD_CONTROL
29h	41	ANT_CONTROL
2Ah-38h	42-56	RFU
39h	57	until FW 3.8: RFU
		from FW 3.8: SIGPRO_RM_CONFIG_EXTENSION
3A-7Ah	58-122	RFU

11.9.2 Register description

Table 74. SYSTEM_CONFIG register (address 0000h) bit description

Bit	Symbol	Access	Value	Description
from FW 3.9 onwards				
31:20	RFU	R	0*,1	Reserved
19:12	DPC_XI_RAM_CORRECTION	R/W	0*,1	Correction value for DPC_XI value stored in EEprom. Resulting AGC value will be: ActualAGCvalue +DPC_XI EEPROM + DPC_XI RAM_CORRECTION (values are ranging from -127 ...+127, sign bit is MSB)
8	SOFT_RESET	W	0*,1	performs a reset of the device by writing a "1" into this register.
7	RFU	R/W	0*,1	RFU
6	MFC_CRYPTON_ON	R/W	0*,1	If set to 1, the mfc-crypto is enabled for end-/de-cryption
5	PRBS_TYPE	R/W	0*,1	Defines the PRBS type; If set to 1, PRBS15 is selected, default value 0 selects PRBS9
4	RFU	R/W	0*,1	RFU
3	START_SEND	R/W	0*,1	If set to 1, this triggers the data transmission according to the transceive state machine
0:2	COMMAND	R/W	001*	These bits define the command for the transceive state machine
			000	IDLE/StopCom Command; stops all ongoing communication and set the CLIF to IDLE mode

Bit	Symbol	Access	Value	Description
			001	RFU
			010	RFU
			011	Transceive command; initiates a transceive cycle. Note: Depending on the value of the Initiator bit, a transmission is started or the receiver is enabled Note: The transceive command does not finish automatically. It stays in the transceive cycle until stopped via the IDLE/StopCom command
			100	KeepCommand command; This command does not change the content of the command register and might be used in case other bits in the register are to be changed
			101	LoopBack command; This command is for test purposes only. It starts a transmission and at the same time enables the receiver.
			110	PRBS command, performs an endless transmission of PRBS data
			111	RFU

Table 75. IRQ_ENABLE register (address 0001h) bit description

Bit	Symbol	Access	Value	Description
31-17	RFU	R	0*, 1	-
16	TEMPSENS_ERROR_IRQ_EN	R/W	0*, 1	Enable IRQ propagation to the pin for the TempSensor
15	RX_SC_DET_IRQ_EN	R/W	0*, 1	Enable IRQ propagation to the pin for the RX Subcarrier Detection
14	RX_SOF_DET_IRQ_EN	R/W	0*, 1	Enable IRQ propagation to the pin for the RX SOF Detection
13	TIMER2_IRQ_EN	R/W	0*, 1	Enable IRQ propagation to the pin for the Timer2
12	TIMER1_IRQ_EN	R/W	0*, 1	Enable IRQ propagation to the pin for the Timer1
11	TIMER0_IRQ_EN	R/W	0*, 1	Enable IRQ propagation to the pin for the Timer0
10	RF_ACTIVE_ERROR_IRQ_EN	R/W	0*, 1	Enable IRQ propagation to the pin for the RF active error
9	TX_RFON_IRQ_EN	R/W	0*, 1	Enable IRQ propagation to the pin for the RF Field ON in PCD
8	TX_RFOFF_IRQ_EN	R/W	0*, 1	Enable IRQ propagation to the pin for the RF Field OFF in PCD
7	RFON_DET_IRQ_EN	R/W	0*, 1	Enable IRQ propagation to the pin for the RF Field ON detection
6	RFOFF_DET_IRQ_EN	R/W	0*, 1	Enable IRQ propagation to the pin for the RF Field OFF detection
5	STATE_CHANGE_IRQ_EN	R/W	0*, 1	Enable IRQ propagation to the pin for the State Change in the transceive state machine

Bit	Symbol	Access	Value	Description
4	CARD_ACTIVATED_IRQ_EN	R/W	0*, 1	Enable IRQ propagation to the pin when PN5180 is activated as a Card
3	MODE_DETECTED_IRQ_EN	R/W	0*, 1	Enable IRQ propagation to the pin when PN5180 is detecting an external modulation scheme
2	IDLE_IRQ_EN	R/W	0*, 1	Enable IRQ propagation to the pin for the IDLE mode
1	TX_IRQ_EN	R/W	0*, 1	Enable IRQ propagation to the pin for End of RF transmission
0	RX_IRQ_EN	R/W	0*, 1	Enable IRQ propagation to the pin for End of RF reception

Table 76. IRQ_STATUS register (address 0002h) bit description

Bit	Symbol	Access	Value	Description
31:20	RFU	R	0*, 1	-
19	LPCD_IRQ_STAT	R	0*, 1	Low-Power Card Detection IRQ
18	HV_ERROR_IRQ_STAT	R	0*, 1	EEPROM Failure during Programming IRQ
17	GENERAL_ERROR_IRQ_STAT	R	0*, 1	General Error IRQ
16	TEMPSENS_ERROR_IRQ_STAT	R	0*, 1	Temperature Sensor IRQ
15	RX_SC_DET_IRQ_STAT	R	0*, 1	RX Subcarrier Detection IRQ
14	RX_SOF_DET_IRQ_STAT	R	0*, 1	RX SOF Detection IRQ
13	TIMER2_IRQ_STAT	R	0*, 1	Timer2 IRQ
12	TIMER1_IRQ_STAT	R	0*, 1	Timer1 IRQ
11	TIMER0_IRQ_STAT	R	0*, 1	Timer0 IRQ
10	RF_ACTIVE_ERROR_IRQ_STAT	R	0*, 1	RF active error IRQ
9	TX_RFON_IRQ_STAT	R	0*, 1	RF Field ON in PCD IRQ
8	TX_RFOFF_IRQ_STAT	R	0*, 1	RF Field OFF in PCD IRQ
7	RFON_DET_IRQ_STAT	R	0*, 1	RF Field ON detection IRQ
6	RFOFF_DET_IRQ_STAT	R	0*, 1	RF Field OFF detection IRQ
5	STATE_CHANGE_IRQ_STAT	R	0*, 1	State Change in the transceive state machine IRQ
4	CARD_ACTIVATED_IRQ_STAT	R	0*, 1	Activated as a Card IRQ
3	MODE_DETECTED_IRQ_STAT	R	0*, 1	External modulation scheme detection IRQ
2	IDLE_IRQ_STAT	R	0*, 1	IDLE IRQ
1	TX_IRQ_STAT	R	0*, 1	End of RF transmission IRQ
0	RX_IRQ_STAT	R	0*, 1	End of RF reception IRQ

Table 77. IRQ_CLEAR register (address 0003h) bit description

Bit	Symbol	Access	Value	Description
31-20	RFU	R	0*, 1	-

Bit	Symbol	Access	Value	Description
19	LPCD_IRQ_CLR	R/W	0*, 1	Clear Low-Power Card Detection IRQ
18	HV_ERROR_IRQ_CLR	R/W	0*, 1	Clear EEPROM Failure during Programming IRQ
17	GENERAL_ERROR_IRQ_CLR	R/W	0*, 1	Clear General Error IRQ
16	TEMPSENS_ERROR_IRQ_CLR	R/W	0*, 1	Clear Temperature Sensor IRQ
15	RX_SC_DET_IRQ_CLR	R/W	0*, 1	Clear RX Subcarrier Detection IRQ
14	RX_SOF_DET_IRQ_CLR	R/W	0*, 1	Clear RX SOF Detection IRQ
13	TIMER2_IRQ_CLR	R/W	0*, 1	Clear Timer2 IRQ
12	TIMER1_IRQ_CLR	R/W	0*, 1	Clear Timer1 IRQ
11	TIMER0_IRQ_CLR	R/W	0*, 1	Clear Timer0 IRQ
10	RF_ACTIVE_ERROR_IRQ_CLR	R/W	0*, 1	Clear RF active error IRQ
9	TX_RFON_IRQ_CLR	R/W	0*, 1	Clear RF Field ON in PCD IRQ
8	TX_RFOFF_IRQ_CLR	R/W	0*, 1	Clear RF Field OFF in PCD IRQ
7	RFON_DET_IRQ_CLR	R/W	0*, 1	Clear RF Field ON detection IRQ
6	RFOFF_DET_IRQ_CLR	R/W	0*, 1	Clear RF Field OFF detection IRQ
5	STATE_CHANGE_IRQ_CLR	R/W	0*, 1	Clear State Change in the transceive state machine IRQ
4	CARD_ACTIVATED_IRQ_CLR	R/W	0*, 1	Clear Activated as a Card IRQ
3	MODE_DETECTED_IRQ_CLR	R/W	0*, 1	Clear External modulation scheme detection IRQ
2	IDLE_IRQ_CLR	R/W	0*, 1	Clear IDLE IRQ
1	TX_IRQ_CLR	R/W	0*, 1	Clear End of RF transmission IRQ
0	RX_IRQ_CLR	R/W	0*, 1	Clear End of RF reception IRQ

Table 78. TRANSCEIVE_CONTROL register (address 0004h) bit description

Bit	Symbol	Access	Value	Description
4-9	STATE_TRIGGER_SELECT	R/W	00000*	Register to select the state to trigger the STATE_CHANGE_IRQ flag. Each bit of the bit field enables one state - several states are possible. Note: If all bits are 0 no IRQ is triggered.
			xxxxx1	IDLE state enabled to trigger IRQ
			xxxx1x	WaitTransmit state enabled to trigger IRQ
			xxx1xx	Transmitting state enabled to trigger IRQ
			xx1xxx	WaitReceive state enabled to trigger IRQ
			x1xxxx	WaitForData state enabled to trigger IRQ
			1xxxxx	Receiving state enabled to trigger IRQ
3	TX_SKIP_SEND_ENABLE	R/W	0*, 1	If set, not transmission is started after tx_wait is expired and START_SEND was set Note: The bit is cleared by HW when the WaitReceive state is entered.

Bit	Symbol	Access	Value	Description
2	TX_FRAMESTEP_ENABLE	R/W	0*, 1	If set, at every start of transmission; each byte of data is sent in a separate frame. SOF and EOF are appended to the data byte according to the framing settings. After one byte is transmitted; the TxEncoder waits for a new start trigger to continue with the next byte.
1	RX_MULTIPLE_ENABLE	R/W	0*, 1	If set, the receiver is reactivated after the end of a reception. A status byte is written to the RAM containing all relevant status information of the frame. Note: Data in RAM is word aligned therefore empty bytes of a data Word in RAM are padded with 0x00 bytes. SW has to calculate the correct address for the following frame.
0	INITIATOR	R/W	0*, 1	If set, the CLIF is configured for initiator mode. Depending on this setting, the behavior of the transceive command is different

Table 79. PINCONFIG register (address 0005h) bit description

Bit	Symbol	Access	Value	Description
7	EN_SLEW_RATE_CONTROL	R/W	0*, 1	Enables slew rate control of digital pads: The Rise/Fall Time can be adjusted by the slew rate control. The slew reate value 0 is for slow slew rate with a value between 2-10ns (depending on load, cap) and the value 1 is for fast slew with a value between 1-3ns (also depending on load, cap....)
6	GPO7_DIR	R/W	0*, 1	Enables the output driver of GPO7. The GPO is only available for the package TFBGA64
5	GPO6_DIR	R/W	0*, 1	Enables the output driver of GPO6. The GPO is only available for the package TFBGA64
4	GPO5_DIR	R/W	0*, 1	Enables the output driver of GPO5. The GPO is only available for the package TFBGA64
3	GPO4_DIR	R/W	0*, 1	Enables the output driver of GPO4. The GPO is only available for the package TFBGA64
2	GPO3_DIR	R/W	0*, 1	Enables the output driver of GPO3. The GPO is only available for the package TFBGA64
1	GPO2_DIR	R/W	0*, 1	Enables the output driver of GPO2. The GPO is only available for the package TFBGA64
0	GPO1_DIR	R/W	0*, 1	Enables the output driver of GPO1. The GPO is only available for the package TFBGA64 and HVQFN40

Table 80. PIN_OUT register (address 0007h) bit description

Bit	Symbol	Access	Value	Description
6	GPO7_OUT	R/W	0*, 1	Output value of GPO7. The GPO is only available for the package TFBGA64
5	GPO6_OUT	R/W	0*, 1	Output value of GPO6. The GPO is only available for the package TFBGA64

Bit	Symbol	Access	Value	Description
4	GPO5_OUT	R/W	0*, 1	Output value of GPO5. The GPO is only available for the package TFBGA64
3	GPO4_OUT	R/W	0*, 1	Output value of GPO4. The GPO is only available for the package TFBGA64
2	GPO3_OUT	R/W	0*, 1	Output value of GPO3. The GPO is only available for the package TFBGA64
1	GPO2_OUT	R/W	0*, 1	Output value of GPO2. The GPO is only available for the package TFBGA64
0	GPO1_OUT	R/W	0*, 1	Output value of GPO1. The GPO is only available for the package TFBGA64 and HVQFN40

Table 81. TIMER0_STATUS register (address 0008h) bit description

Bit	Symbol	Access	Value	Description
20	T0_RUNNING	R	0*, 1	Indicates that timer T0 is running (busy)
19:0	T0_VALUE	R	00000h* - FFFFFh	Value of 20bit counter in timer T0

Table 82. TIMER1_STATUS register (address 0009h) bit description

Bit	Symbol	Access	Value	Description
20	T1_RUNNING	R	0*, 1	Indicates that timer T1 is running (busy)
19:0	T1_VALUE	R	00000h* - FFFFFh	Value of 20bit counter in timer T1

Table 83. TIMER2_STATUS register (address 000Ah) bit description

Bit	Symbol	Access	Value	Description
20	T2_RUNNING	R	0*, 1	Indicates that timer T2 is running (busy)
19:0	T2_VALUE	R	00000h* - FFFFFh	Value of 20bit counter in timer T2

Table 84. TIMER0_RELOAD register (address 000Bh) bit description

Bit	Symbol	Access	Value	Description
20:32	-			RFU
19:0	T0_RELOAD_VALUE	R/W	00000h* - FFFFFh	Reload value of the timer T0.

Table 85. TIMER1_RELOAD register (address 000Ch) bit description

Bit	Symbol	Access	Value	Description
20:32	-			RFU

Bit	Symbol	Access	Value	Description
19:0	T1_RELOAD_VALUE	R/W	00000h* - FFFFFh	Reload value of the timer T1.

Table 86. TIMER2_RELOAD register (address 000Dh) bit description

Bit	Symbol	Access	Value	Description
20:32	-			RFU
19:0	T2_RELOAD_VALUE	R/W	00000h* - FFFFFh	Reload value of the timer T2.

Table 87. TIMER0_CONFIG register (address 000Eh) bit description

Bit	Symbol	Access	Value	Description
20	T0_STOP_ON_RX_STARTED	R/W	0*	T0_STOP_EVENT: If set; the timer T0 is stopped when a data reception begins and the first 4 bits had been received. The additional delay of the timer is protocol-dependent and listed in the appendix.
19	T0_STOP_ON_TX_STARTED	R/W	0*	T0_STOP_EVENT: If set; the timer T0 is stopped when a data transmission begins.
18	T0_STOP_ON_RF_ON_EXT	R/W	0*	T0_STOP_EVENT: If set; the timer T0 is stopped when the external RF field is detected.
17	T0_STOP_ON_RF_OFF_EXT	R/W	0*	T0_STOP_EVENT: If set; the timer T0 is stopped when the external RF field vanishes.
16	T0_STOP_ON_RF_ON_INT	R/W	0*	T0_STOP_EVENT: If set; the timer T0 is stopped when the internal RF field is turned on.
15	T0_STOP_ON_RF_OFF_INT	R/W	0*	T0_STOP_EVENT: If set; the timer T0 is stopped when the internal RF field is turned off.
14	T0_START_ON_RX_STARTED	R/W	0*	T0_START_EVENT: If set; the timer T0 is started when a data reception begins (first bit is received).
13	T0_START_ON_RX_ENDED	R/W	0*	T0_START_EVENT: If set; the timer T0 is started when a data reception ends.
12	T0_START_ON_TX_STARTED	R/W	0*	T0_START_EVENT: If set; the timer T0 is started when a data transmission begins.
11	T0_START_ON_TX_ENDED	R/W	0*	T0_START_EVENT: If set; the timer T0 is started when a data transmission ends.
10	T0_START_ON_RF_ON_EXT	R/W	0*	T0_START_EVENT: If set; the timer T0 is started when the external RF field is detected.
9	T0_START_ON_RF_OFF_EXT	R/W	0*	T0_START_EVENT: If set; the timer T0 is started when the external RF field is not detected any more.
8	T0_START_ON_RF_ON_INT	R/W	0*	T0_START_EVENT: If set; the timer T0 is started when an internal RF field is turned on.
7	T0_START_ON_RF_OFF_INT	R/W	0*	T0_START_EVENT: If set; the timer T0 is started when an internal RF field is turned off.
6	T0_START_NOW	R/W	0*	T0_START_EVENT: If set; the timer T0 is started immediately.

Bit	Symbol	Access	Value	Description
3:5	T0_PRESCALE_SEL	R/W	000b*	Controls frequency/period of the timer T0 when the prescaler is activated in T0_MODE_SEL:
			000b	6.78 MHz counter
			001b	3.39 MHz counter
			010b	1.70 MHz counter
			011b	848 kHz counter
			100b	424 kHz counter
			101b	212 kHz counter
			110b	106 kHz counter
111b	53 kHz counter			
2	T0_MODE_SEL	R/W	0*	Configuration of the timer T0 clock. 0b* Prescaler is disabled: the timer frequency matches CLIF clock frequency (13.56 MHz). 1b Prescaler is enabled: the timer operates on the prescaler signal frequency (chosen by T0_PRESCALE_SEL).
1	T0_RELOAD_ENABLE	R/W	0*	If set to 0; the timer T0 stops on expiration. 0* After expiration the timer T0 stops counting; i.e.; remain zero; reset value. 1 After expiration the timer T0 reloads its preset value and continues counting down.
0	T0_ENABLE	R/W	0*	Enables the timer T0

Table 88. TIMER1_CONFIG register (address 000Fh) bit description

Bit	Symbol	Access	Value	Description
20	T1_STOP_ON_RX_STARTED	R/W	0*	T1_STOP_EVENT: If set; the timer T1 is stopped when a data reception begins and the first 4 bits had been received. The additional delay of the timer is protocol-dependent and listed in the appendix.
19	T1_STOP_ON_TX_STARTED	R/W	0*	T1_STOP_EVENT: If set; the timer T1 is stopped when a data transmission begins.
18	T1_STOP_ON_RF_ON_EXT	R/W	0*	T1_STOP_EVENT: If set; the timer T1 is stopped when the external RF field is detected.
17	T1_STOP_ON_RF_OFF_EXT	R/W	0*	T1_STOP_EVENT: If set; the timer T1 is stopped when the external RF field vanishes.
16	T1_STOP_ON_RF_ON_INT	R/W	0*	T1_STOP_EVENT: If set; the timer T1 is stopped when the internal RF field is turned on.
15	T1_STOP_ON_RF_OFF_INT	R/W	0*	T1_STOP_EVENT: If set; the timer T1 is stopped when the internal RF field is turned off.
14	T1_START_ON_RX_STARTED	R/W	0*	T1_START_EVENT: If set; the timer T1 is started when a data reception begins (first bit is received).
13	T1_START_ON_RX_ENDED	R/W	0*	T1_START_EVENT: If set; the timer T1 is started when a data reception ends.
12	T1_START_ON_TX_STARTED	R/W	0*	T1_START_EVENT: If set; the timer T1 is started when a data transmission begins.

Bit	Symbol	Access	Value	Description
11	T1_START_ON_TX_ENDED	R/W	0*	T1_START_EVENT: If set; the timer T1 is started when a data transmission ends.
10	T1_START_ON_RF_ON_EXT	R/W	0*	T1_START_EVENT: If set; the timer T1 is started when the external RF field is detected.
9	T1_START_ON_RF_OFF_EXT	R/W	0*	T1_START_EVENT: If set; the timer T1 is started when the external RF field is not detected any more.
8	T1_START_ON_RF_ON_INT	R/W	0*	T1_START_EVENT: If set; the timer T1 is started when an internal RF field is turned on.
7	T1_START_ON_RF_OFF_INT	R/W	0*	T1_START_EVENT: If set; the timer T1 is started when an internal RF field is turned off.
6	T1_START_NOW	R/W	0*	T1_START_EVENT: If set; the timer T1 is started immediately.
3:5	T1_PRESCALE_SEL	R/W	000b*	Controls frequency/period of the timer T1 when the prescaler is activated in T1_MODE_SEL:
			000b	6.78 MHz counter
			001b	3.39 MHz counter
			010b	1.70 MHz counter
			011b	848 kHz counter
			100b	424 kHz counter
			101b	212 kHz counter
			110b	106 kHz counter
			111b	53 kHz counter
2	T1_MODE_SEL	R/W	0*	Configuration of the timer T1 clock. 0b* Prescaler is disabled: the timer frequency matches CLIF clock frequency (13.56 MHz). 1b Prescaler is enabled: the timer operates on the prescaler signal frequency (chosen by T1_PRESCALE_SEL).
1	T1_RELOAD_ENABLE	R/W	0*	If set to 0; the timer T1 stops on expiration. 0* After expiration the timer T1 stops counting; i.e.; remain zero; reset value. 1 After expiration the timer T1 reloads its preset value and continues counting down.
0	T1_ENABLE	R/W	0*	Enables the timer T1

Table 89. TIMER2_CONFIG register (address 0010h) bit description

Bit	Symbol	Access	Value	Description
20	T2_STOP_ON_RX_STARTED	R/W	0*	T2_STOP_EVENT: If set; the timer T2 is stopped when a data reception begins and the first 4 bits had been received. The additional delay of the timer is protocol-dependent and listed in the appendix.
19	T2_STOP_ON_TX_STARTED	R/W	0*	T2_STOP_EVENT: If set; the timer T2 is stopped when a data transmission begins.
18	T2_STOP_ON_RF_ON_EXT	R/W	0*	T2_STOP_EVENT: If set; the timer T2 is stopped when the external RF field is detected.

Bit	Symbol	Access	Value	Description
17	T2_STOP_ON_RF_OFF_EXT	R/W	0*	T2_STOP_EVENT: If set; the timer T2 is stopped when the external RF field vanishes.
16	T2_STOP_ON_RF_ON_INT	R/W	0*	T2_STOP_EVENT: If set; the timer T2 is stopped when the internal RF field is turned on.
15	T2_STOP_ON_RF_OFF_INT	R/W	0*	T2_STOP_EVENT: If set; the timer T2 is stopped when the internal RF field is turned off.
14	T2_START_ON_RX_STARTED	R/W	0*	T2_START_EVENT: If set; the timer T2 is started when a data reception begins (first bit is received).
13	T2_START_ON_RX_ENDED	R/W	0*	T2_START_EVENT: If set; the timer T2 is started when a data reception ends.
12	T2_START_ON_TX_STARTED	R/W	0*	T2_START_EVENT: If set; the timer T2 is started when a data transmission begins.
11	T2_START_ON_TX_ENDED	R/W	0*	T2_START_EVENT: If set; the timer T2 is started when a data transmission ends.
10	T2_START_ON_RF_ON_EXT	R/W	0*	T2_START_EVENT: If set; the timer T2T2 is started when the external RF field is detected.
9	T2_START_ON_RF_OFF_EXT	R/W	0*	T2_START_EVENT: If set; the timer T2 is started when the external RF field is not detected any more.
8	T2_START_ON_RF_ON_INT	R/W	0*	T2_START_EVENT: If set; the timer T2 is started when an internal RF field is turned on.
7	T2_START_ON_RF_OFF_INT	R/W	0*	T2_START_EVENT: If set; the timer T2 is started when an internal RF field is turned off.
6	T2_START_NOW	R/W	0*	T2_START_EVENT: If set; the timer T2 is started immediately.
3:5	T2_PRESCALE_SEL	R/W	000b*	Controls frequency/period of the timer T2 when the prescaler is activated in T2_MODE_SEL:
			000b	6.78 MHz counter
			001b	3.39 MHz counter
			010b	1.70 MHz counter
			011b	848 kHz counter
			100b	424 kHz counter
			101b	212 kHz counter
			110b	106 kHz counter
			111b	53 kHz counter
2	T2_MODE_SEL	R/W	0*	Configuration of the timer T2 clock. 0b* Prescaler is disabled: the timer frequency matches CLIF clock frequency (13.56 MHz). 1b Prescaler is enabled: the timer operates on the prescaler signal frequency (chosen by T2_PRESCALE_SEL).
1	T2_RELOAD_ENABLE	R/W	0*	If set to 0; the timer T2 stops on expiration. 0* After expiration the timer T2 stops counting; i.e.; remain zero; reset value. 1 After expiration the timer T2 reloads its preset value and continues counting down.
0	T2_ENABLE	R/W	0*	Enables the timer T2

Table 90. RX_WAIT_CONFIG (address 0011h) bit description

Bit	Symbol	Access	Value	Description
8:27	RX_WAIT_VALUE	R/W	0*	Defines the rx_wait timer reload value. Note: If set to 00000h, the rx_wait guard time is disabled. For I-CODE ILT-M the recommended setting at MAN2-848 (212Kbps) is 0xA0.
0:7	RX_WAIT_PRESCALER	R/W	0*	Defines the prescaler reload value for the rx_wait timer. For correct DPC operation, it is required to set the prescaler to 0x7F For type A communication, the prescaler has to be set to 0x7F as well.

Table 91. CRC_RX_CONFIG (address 0012h) bit description

Bit	Symbol	Access	Value	Description
31:16	RX_CRC_PRESET_VALUE	R/W	0*-FFFFh	Arbitrary preset value for the Rx-Encoder CRC calculation.
15:12	RFU	R	0	Reserved
11	RX_PARITY_TYPE	R/W	0*	Defines which type of the parity-bit is used Note: This bit is set by the mod-detector if automatic mode detection is enabled and ISO14443A communication is detected. 0 Even parity calculation is used 1 Odd parity calculation is used
10	RX_PARITY_ENABLE	R/W	0*	If set to 1; a parity-bit for each byte is expected; will be extracted from data stream and checked for correctness. In case the parity-bit is incorrect; the RX_DATA_INTEGRITY_ERROR flag is set. Nevertheless the reception is continued. Note: This bit is set by the mod-detector if automatic mode detection is enabled and ISO14443A communication is detected.
9	VALUES_AFTER_COLLISION	R/W	0*	This bit defined the value of bits received after a collision occurred. 0* All received bits after a collision will be cleared. 1 All received bits after a collision keep their value.
8:6	RX_BIT_ALIGN	R/W	0*	RxAlign defines the bit position within the byte for the first bit received. Further received bits are stored at the following bit positions.
5:3	RX_CRC_PRESET_SEL	R/W	000b*	Preset values of the CRC register for the Rx-Decoder. For a CRC calculation using 5bits, only the LSByte is used.
			000b*	0000h, reset value. This configuration is set by the Mode detector for FeliCa.
			001b	6363h, this configuration is set by the Mode detector for ISO14443 type A.
			010b	A671h
			011b	FFFFh, this configuration is set by the Mode detector for ISO14443 type B.

Bit	Symbol	Access	Value	Description
			100b	0012h
			101b	E012h
			110b	RFU
			111b	Use arbitrary preset value RX_CRC_PRESET_VALUE
2	RX_CRC_TYPE	R/W	0*	Controls the type of CRC calculation for the Rx-Decoder
			0	16-bit CRC calculation, reset value
			1	5-bit CRC calculation
1	RX_CRC_INV	R/W	0*	Controls the comparison of the CRC checksum for the Rx-Decoder
			0*	Not inverted CRC value. This bit is cleared by the Mode detector for ISO14443 type A and FeliCa.
			1	Inverted CRC value: F0B8h, this bit is set by the Mode detector for ISO14443 type B.
0	RX_CRC_ENABLE	R/W	0*	If set; the Rx-Decoder checks the CRC for correctness. Note: This bit is set by the Mode Detector when ISO14443 type B or FeliCa (212 kbit/s or 424 kbit/s) is detected.

Table 92. RX_STATUS register (address 0013h) bit description

Bit	Symbol	Access	Value	Description
26:31	RFU	R	0	Reserved
19:25	RX_COLL_POS	R	0*	These bits show the bit position of the first detected collision in a received frame (only data bits are interpreted). Note: This bits contains information for the bit position of the first detected collision in passive communication mode at 106 kbit/s, communication mode for ISO/IEC14443 type A and for MIFARE Classic or ISO/IEC15693 mode. Precondition: The CollPosValid bit is set. Note: If RX_ALIGN is set to a value different to 0, this value is included in the RX_COLL_POS.
18	RX_COLLISION_DETECTED	R	0*	This flag is set to 1, when a collision has occurred. The position of the first collision is shown in the register RX_COLLPOS
17	RX_PROTOCOL_ERROR	R	0*	This flag is set to 1, when a protocol error has occurred. A protocol error can be a wrong stop bit, a missing or wrong ISO/IEC14443 B EOF or SOF or a wrong number of received data bytes. Note: When a protocol error is detected, data reception is stopped. Note: The flag is automatically cleared at start of next reception.

Bit	Symbol	Access	Value	Description
16	RX_DATA_INTEGRITY_ERROR	R	0*	This flag is set to 1, if a data integrity error has been detected. Possible caused can be a wrong parity or a wrong CRC. Note: On a data integrity error, the reception is continued Note: The flag is automatically cleared at start of next reception. Note: If a reversed parity bit is a stop criteria, the flag is not set to 1 if there is a wrong parity.
13:15	RX_NUM_LAST_BITS	R	0*	Defines the number of valid bits of the last data byte received in bit-oriented communications. If zero the whole byte is valid.
9:12	RX_NUM_FRAMES_RECEIVED	R	0*	Indicates the number of frames received. The value is updated when the RxIRQ is raised. Note: This bit field is only valid when the RxMultiple is active (bit RX_MULTIPLE_ENABLE set)
8:0	RX_NUM_BYTES_RECEIVED	R	0*	Indicates the number of bytes received. The value is valid when the RxIRQ is raised until the receiver is enabled again.

Table 93. TX_UNDERSHOOT_CONFIG register (address 0014h) bit description

Bit	Symbol	Access	Value	Description
16:31	TX_UNDERSHOOT_PATTERN			Undershoot pattern which is transmitted after each falling edge.
5:15	RESERVED			-
1:4	TX_UNDERSHOOT_PATTERN_LEN			Defines length of the undershoot prevention pattern (value +1). The pattern is applied starting from the LSB of the defined pattern; all other bits are ignored.
0	TX_UNDERSHOOT_PROT_ENABLE			If set to 1; the undershoot protection is enabled

Table 94. TX_OVERSHOOT_CONFIG register (address 0015h) bit description

Bit	Symbol	Access	Value	Description
31:16	TX_OVERSHOOT_PATTERN	R/W	0* - FFFFh	Overshoot pattern which is transmitted after each rising edge.
15:5	RFU	R	0	Reserved
4:1	TX_OVERSHOOT_PATTERN_LEN	R/W	0*-Fh	Defines length of the overshoot prevention pattern (value +1). The pattern is applied starting from the MSB of the defined pattern, all other bits are ignored.
0	TX_OVERSHOOT_PROT_ENABLE	R/W	0*, 1	If set to 1, the overshoot protection is enabled.

Table 95. TX_DATA_MOD register (address 0016h) bit description

Bit	Symbol	Access	Value	Description
8:15	TX_DATA_MOD_WIDTH	R/W	0*-FFh	Specifies the length of a pulse for sending data with miller pulse modulation enabled. The length is given by the number of carrier clocks + 1.
0:7	TX_BITPHASE	R/W	0* - FFh	<p>Defines the number of 13.56 MHz cycles used for adjustment of TX_WAIT to meet the FDT. This is done by using this value as first counter initialization value instead of TX_WAIT_PRESCALER.</p> <p>These bits of TX_BITPHASE, together with TX_WAIT_VALUE and TX_WAIT_PRESCALER are defining the number of carrier frequency clocks which are added to the waiting period before transmitting data in all communication modes. TX_BITPHASE is used to adjust the TX bit synchronization during passive NFCIP-1 communication mode at 106 kbit and in ISO/IEC 14443 A.</p>

Table 96. TX_WAIT_CONFIG register (address 0017h) bit description

Bit	Symbol	Access	Value	Description
27:8	TX_WAIT_VALUE	D	0* - FFFFh	<p>Defines the tx_wait timer value.</p> <p>The values TX_WAIT_VALUE and TX_WAIT_PRESCALER are the initial counter values of two independent counters. The counter linked to TX_WAIT_PRESCALER is decremented at every 13.56 MHz clock.</p> <p>As soon as the counter TX_WAIT_PRESCALER overflows (transition from 00h to FFh), the counter linked to TX_WAIT is decremented. At the same time, the counter linked to TX_WAIT_PRESCALER is reloaded with the TX_WAIT_PRESCALER value.</p> <p>The first initial TX_WAIT_PRESCALER counter value is always using the data defined in TX_BITPHASE (in case of PICC operation). All other subsequent counter reload values are taken from TX_WAIT_PRESCALER.</p> <p>Note: If set to 00000h the tx_wait guard time is disabled</p> <p>Note: This bit is set by HW a protocol is detected in automatic mode detector.</p>
7:0	TX_WAIT_PRESCALER	D	0* - FFh	<p>Defines the prescaler reload value for the tx_wait timer.</p> <p>Note: This bit is set by HW a protocol is detected in automatic mode detector.</p> <p>For correct DPC operation, it is required to set the prescaler to 0x7F For type A communication, the prescaler has to be set to 0x7F as well.</p>

Table 97. TX_CONFIG register (address 0018h) bit description

Bit	Symbol	Access	Value	Description
14:31	RFU	R	0	Reserved
13	TX_PARITY_LAST_INV_ENABLE	R/W	0	If set to 1; the parity bit of last sent data byte is inverted
12	TX_PARITY_TYPE	R/W	0	Defines the type of the parity bit 0 Even Parity is calculated 1 Odd parity is calculated
11	TX_PARITY_ENABLE	R/W	0	If set to 1; a parity bit is calculated and appended to each byte transmitted. If the Transmission Of Data Is Enabled and TX_NUM_BYTES_2_SEND is zero; then a NO_DATA_ERROR occurs.
10	TX_DATA_ENABLE	R/W	0	If set to 1; transmission of data is enabled otherwise only symbols are transmitted.
8:9	TX_STOP_SYMBOL	R/W	0	Defines which pattern symbol is sent as frame stop-symbol 00b No symbol is sent 01b Symbol1 is sent 10b Symbol2 is sent 11b Symbol3 is sent
6:7	TX_START_SYMBOL	R/W	0	Defines which symbol pattern is sent as frame start-symbol 00b No symbol pattern is sent 01b Symbol0 is sent 10b Symbol1 is sent 11b Symbol2 is sent.
3:5	TX_LAST_BITS	R/W	0	Defines how many bits of the last data byte to be sent. If set to 000b all bits of the last data byte are sent. Note: Bits are skipped at the end of the byte
0:2	TX_FIRST_BITS	R/W	0	Defines how many bits of the first data byte to be sent. If set to 000b all bits of the last data byte are sent. Note: Bits are skipped at the beginning of the byte

Table 98. CRC_TX_CONFIG (address 0019h) bit description

Bit	Symbol	Access	Value	Description
31:16	TX_CRC_PRESET_VALUE	R/W	0*-FFFFh	Arbitrary preset value for the Tx-Encoder CRC calculation.
15:7	RFU	R	0	Reserved
6	TX_CRC_BYTE2_ENABLE	R/W	0	If set; the CRC is calculated from the second byte onwards (intended for HID). This option is used in the Tx-Encoder.
5:3	TX_CRC_PRESET_SEL	R/W	000-101b	Preset values of the CRC register for the Tx-Encoder. For a CRC calculation using 5 bits, only the LSByte is used.
			000b*	0000h, reset value
			001b	6363h
			010b	A671h
			011b	FFFFh
			100b	0012h
			101b	E012h
			110b	RFU

Bit	Symbol	Access	Value	Description
			111b	Use arbitrary preset value TX_CRC_PRESET_VALUE
2	TX_CRC_TYPE	R/W	0, 1	Controls the type of CRC calculation for the Tx-Encoder
			0*	16-bit CRC calculation, reset value
			1	5-bit CRC calculation
1	TX_CRC_INV	R/W	0, 1	Controls the sending of an inverted CRC value by the Tx-Encoder
			0*	Not inverted CRC checksum, reset value
			1	Inverted CRC checksum
0	TX_CRC_ENABLE	R/W	0*, 1	If set to one, the Tx-Encoder computes and transmits a CRC.

Table 99. SIGPRO_CONFIG register (address 001Ah) bit description

Bit	Symbol	Access	Value	Description
3:31	RFU	R	0	Reserved
2:0	BAUDRATE	D	000*-111	Defines the baud rate of the receiving signal. The MSB is only relevant for reader mode. Note: These bits are set by the mode-detector if automatic mode detector is enabled and the communication mode is detected.
			000*	Reserved
			001	Reserved
			010	Reserved
			011	Reserved
			100	106 kBd This configuration is set by the Mode detector for ISO/IEC14443 type A and B.
			101	212 kBd This configuration is set by the Mode detector for FeliCa 212 kBd.
			110	424 kBd This configuration is set by the Mode detector for FeliCa 424 kBd.
			111	848 kBd

Table 100. SIGPRO_CM_CONFIG register (address 001Bh) bit description

Bit	Symbol	Access	Value	Description
31	RFU	R	0	Reserved
29:30	RX_FRAMING			Defines the framing in card mode. These bits are set by the Mode detector if automatic mode detection is enabled and the communication mode is detected. 00b: ISO/IEC 14443 type A 01b: ISO/IEC 18092 (NFC - with Sync-byte 0xF0)

Bit	Symbol	Access	Value	Description
26:28	EDGE_DETECT_TAP_SEL			Selects the number of taps of the edge-detector filter. 000b: Edge detector filter with 4 taps 001b: Edge detector filter with 6 taps 010b: Edge detector filter with 8 taps 011b: Edge detector filter with 8 taps 100b: Edge detector filter with 16 taps 101b: Edge detector filter with 18 taps 110b: Edge detector filter with 24 taps 111b: Edge detector filter with 32 taps
13:25	EDGE_DETECT_TH			Threshold for the edge decision block of the ADCBCM.
0:12	BIT_DETECT_TH			Threshold for the "bit" decision block of the ADCBCM.

Table 101. SIGPRO_RM_CONFIG register (address 001Ch) bit description

Bit	Symbol	Access	Value	Description
24:31	RFU	R	0	Reserved
21:23	BPSK_IQ_MODE	R/W	000*-111	Defines signal processing of I- and Q-channel
			000*	Both channels (I and Q) are used for signal processing
			001	Use only I channel
			010	Use only Q channel
			011	RFU
			100	Use the strongest channel
			101	Use the first channel
			110-111	RFU
20	BPSK_FILT6	R/W	0*-1	Reserved for test
19	RESYNC_EQ_ON	R/W	0-1*	Resynchronization during the SOF for an equal correlation value is done (default = activated).
18	CORR_RESET_ON	R/W	0	The correlator is reset at a reset (default = activated).
17	VALID_FILT_OFF	R/W	0*-1	Disables a special filter in BPSK mode. If set to 0, the correlation of 0110 is filtered with the correlation of 1110 and 0111. Otherwise the demodulation is done using the correlation with 0110
16	DATA_BEFORE_MIN	R/W	0	Data is received even before the first minimum at the SOF (default: = deactivated).
15:12	MIN_LEVEL	R/W	0*-Fh	Defines the minimum level (threshold value) for the subcarrier detector unit. Note: The MinLevel should be higher than the noise level in the system Note: Used for BPSK and Manchester with Subcarrier communication types as MinLevel!
11:8	MIN_LEVELP	R/W	0*-Fh	Defines the minimum level (threshold value) for the phase-shift detector unit. Used for BPSK communication

Bit	Symbol	Access	Value	Description
7	USE_SMALL_EVAL	R	0	Defines the length of the evaluation period for the correlator for Manchester subcarrier communication types.
6:5	COLL_LEVEL	R/W	00*-11	Defines how strong a signal must be interpreted as a collision for Manchester subcarrier communication types.
			00*	>12.5 %
			01	>25 %
			10	>50 %
			11	No Collision
4	PRE_FILTER	R/W		If set to 1 four samples are combined to one data. (average)
3	RECT_FILTER	R/W	0	If set to one; the ADC-values are changed to a more rectangular waveshape.
2	SYNC_HIGH	R/W	0*-1	Defines if the bit grid is fixed at maximum (1) or at a minimum(0) value of the correlation.
1	FSK	R	0	If set to 1; the demodulation scheme is FSK.
0	BPSK	R/W	0*	If set to 1, the demodulation scheme is BPSK.

Table 102. RF_STATUS register (address 001Dh) bit description

Bit	Symbol	Access	Value	Description
27:31	RFU	R	0	-
26:24	TRANSCEIVE_STATE	R	0*	Holds the command bits 0* IDLE state 1 WaitTransmit state 2 Transmitting state 3 WaitReceive state 4 WaitForData state 5 Receiving state 6 LoopBack state 7 reserved
23:20	DPC_CURRENT_GEAR	R	0*	Current Gear of the DPC
19	DPLL_ENABLE	R	0*	This bit indicates that the DPLL Controller has enabled the DPLL (RF on, RF frequency ok, PLL locked)
18	CRC_OK	R	0	This bit indicates the status of the actual CRC calculation. If 1 the CRC is correct; meaning the CRC register has the value 0 or the residue value if inverted CRC is used. Note: This flag should only be evaluated at the end of a communication.
17	TX_RF_STATUS	R	0	If set to 1 this bit indicates that the drivers are turned on; meaning an RF-Field is created by the device itself.
16	RF_DET_STATUS	R	0	If set to 1 this bit indicates that an external RF-Field is detected by the RF-level detectors (after digital filtering)

Bit	Symbol	Access	Value	Description
13:15	RF_ACTIVE_ERROR_CAUSE	R	0 - 5	This status flag indicates the cause of an NFC-Active error. Note: These bits are only valid when the RF_ACTIVE_ERROR_IRQ is raised and is cleared as soon as the bit TX_RF_ENABLE is set to 1.
			0*	No Error; reset value
			1	External field was detected on within TIDT timing
			2	External field was detected on within TADT timing
			3	No external field was detected within TADT timings
			4	Peer did switch off RF-Field but no Rx event was raised (no data received)
			5 - 7	Reserved
12	RX_ENABLE			This bit indicates if the RxDecoder is enabled. If 1 the RxDecoder was enabled by the Transceiver Unit and is now ready for data reception
11	TX_ACTIVE			This bit indicates activity of the TxEncoder. If 1 a transmission is ongoing, otherwise the TxEncoder is in idle state.
10	RX_ACTIVE			This bit indicates activity of the RxDecoder. If 1 a data reception is ongoing; otherwise the RxDecoder is in idle state.
9:0	AGC_VALUE	R	0*-3FFh	Current value of the AGC
			0h*	Most sensitive: largest Rx-resistor, i.e., none of the switchable resistors are added in parallel
			3FFh	Most robust: smallest Rx-resistor, i.e., all switchable resistors are added in parallel

Table 103. AGC_CONFIG register (address 001Eh) bit description

Bit	Symbol	Access	Value	Description
16:31	RFU	R	0*	Reserved
14:15	AGC_VREF_SEL	R/W	0*	Select the set value for the AGC control: 00b: 1.15 V 01b: 1.40 V 10b: 1.50 V 11b: RFU
4:13	AGC_TIME_CONSTANT	R/W	0*	Time constant for the AGC update. An AGC period is given by (AGC_TIME_CONSTANT+1) * 13.56 MHz. The minimum allowed value for the AGC_TIME_CONSTANT is 4.
3	AGC_INPUT_SEL	R/W	0*	Selects the AGC value to be loaded into the AGC and the data source for fix-mode operation: 0b: AGC_VALUE.AGC_CM_VALUE 1b: AGC_VALUE.AGC.RM_VALUE

Bit	Symbol	Access	Value	Description
2	AGC_LOAD	W	0*	If set; the RX divider setting is loaded from AGC_VALUE. AGC_INPUT_SEL defines the source of the data. This bit is automatically cleared.
1	AGC_MODE_SEL	R/W	0*	Selects the fix AGC value: 0b: Rx-divider is set according to AGC_VALUE dependent on bit AGC_INPUT_SEL 1b: The last RX divider setting before AGC control operation had been deactivated is used (AGC_ENABLE_CONTROL=0, last RX divider setting is frozen). This bit is not causing any loading of new Rx-divider data. Set the bit AGC_LOAD for updating the RX divider with a new value.
0	AGC_ENABLE_CONTROL	R/W	0*	0b: Fix mode operation. The RX divider is fixed to one value. The value is defined by AGC_MODE_SEL 1b: AGC control operation enabled

Table 104. AGC_VALUE register (address 001Fh) bit description

Bit	Symbol	Access	Value	Description
20:31	RFU	R	0	Reserved
10:19	AGC_RM_VALUE	R/W	0	Static AGC value used for reader mode
0:9	AGC_CM_VALUE	R/W	0	Static AGC value used for card mode

Table 105. RF_CONTROL_TX register (address 0020h) bit description

Bit	Symbol	Access	Value	Description
27:31	RFU	R	0	Reserved
26	TX_ALM_TYPE_SELECT	R/W	0*	0 ... Both drivers used for ALM 1 ... Single driver used for ALM
24:25	TX_CW_AMPLITUDE_ALM_CM	R/W	0*	set amplitude of unmodulated carrier at card mode
19:23	TX_RESIDUAL_CARRIER_OV_PREV	R/W	0*	Defines the value for the residual carrier for the period the overshoot prevention pattern is active.
18	TX_CW_TO_MAX_ALM_CM	R/W	0*	TX HI output is the maximum voltage obtainable from charge pump (CM setting); if set to 1 -> TX_CW_AMPLITUDE_CM is overruled.
13:17	TX_RESIDUAL_CARRIER	R/W	0*	set residual carrier (0=100 %, 1F = 0 %)
12	TX_BYPASS_SC_SHAPING	R/W	0*	Bypasses switched capacitor TX shaping of the Transmitter Signal and disables the shaping control for the rising edge. So this bit must be 0, if the TAU_MOD_RISING settings shall apply. The rising edge provides the fastest rise time, if TX_SET_BYPASS_SC_SHAPING = 1 (TAU_MOD_RISING does not matter).

Bit	Symbol	Access	Value	Description
8:11	TX_SLEW_SHUNTREG	R/W	0*	Set slew rate for shunt regulator. Set slew rate for Tx Shaping shunt regulator (0= slowest slew rate, 0xF = fastest slew rate) for both the falling and rising edge.
4:7	TX_TAU_MOD_FALLING	R/W	0*	Transmitter TAU setting for falling edge of modulation shape. In AnalogControl module, the output signal is switched with the tx_envelope. Only valid is TX_SINGLE_CP_MODE is set
0:3	TX_TAU_MOD_RISING	R/W	0*	Transmitter TAU setting for rising edge of modulation shape. In Analog Control module, the output signal is switched with the tx_envelope. Only valid is TX_SINGLE_CP_MODE is set

Table 106. RF_CONTROL_TX_CLK register (address 0021h) bit description

Bit	Symbol	Access	Value	Description
19:31	RFU	R	0*	Reserved
18	TX_ALM_ENABLE	R/W	0*	If set to 1 ALM (active load modulation) is used for transmission in card mode
14:17	RFU	R		RFU
11:13	CLOCK_CONFIG_DLL_ALM	R/W	0*	Configures the phase difference in integer multiples of 45° steps between the recovered and the transmitted RF clock
8:10	TX_CLK_MODE_OVUN_PREV	R/W	0*	Defines the TX clockmode for the period the overshoot/undershoot prevention is active
7	TX2_INV_RM	R/W	0*	If 1 -> TX2 output is inverted (clk_13m56_n is used); 0 -> clk_13m56 is used, this setting is active in reader mode only
6	TX2_INV_CM	R/W	0*	If 1 -> TX2 output is inverted (clk_13m56_n is used); 0 -> clk_13m56 is used, this setting is active in card emulation mode only
5	TX1_INV_RM	R/W	0*	If 1 -> TX1 output is inverted (clk_13m56_n is used); 0 -> clk_13m56 is used, this setting is active in reader mode only
4	TX1_INV_CM	R/W	0*	If 1 -> TX1 output is inverted (clk_13m56_n is used); 0 -> clk_13m56 is used, this setting is active in card emulation mode only
3:1	TX_CLK_MODE_RM	R/W	0*	TX clockmode: Allows to configure the transmitter for 1. High impedance (RF-OFF) 2. RF high side push 3. RF low side pull 4. 13.56 MHz clock derived from 27.12 MHz quartz divided by 2. See table 68: Settings for TX1 and TX2
0	CLOCK_ENABLE_DPLL	R/W	0*	Enables the DPLL

Table 107. RF_CONTROL_RX register (address 0022h) bit description

Bit	Symbol	Access	Value	Description
8:31	RFU	R	0*	Reserved
6:7	CM_MILLER_SENS	R/W		Configuration bits for reference level of Miller demodulator
4:5	RX_MIXER_CONTROL	R/W		Mixer Control Enable 00, 11 ... power down both mixer 01... reader mode mixer 10... card mode mixer,
2:3	RX_HPCF	R/W		High Pass Corner Frequency: 00->45 kHz, 01-> 85 kHz, 10->150 kHz, 11->250 kHz
1:0	RX_GAIN	R/W	0h*-3h	Gain Adjustment BBA: 00->33 dB, 01->40 dB, 10-> 50 dB, 11->57 dB

Table 108. RF_LEVEL_DETECTOR_CONTROL register (address 0023h) bit description

Bit	Symbol	Access	Value	Description
15:31	RFU	R	0*	Reserved
14	CM_PD_NFC_DET	R/W	0*	Power Down NFC level detector
12:13	RFDET_SOURCE_SEL	R/W	0*	Selects the source for RF-Field detection; 0* -> NFC-Level detector indication signal is used; 1 -> RF-Level detector indication signal is used 2; -> NFC- and RF-Level detector indication signal is used 3; -> Override - RF-Field detected is emulated
8:11	CM_RFL_NFC	R/W	0*	Programming of detection level
4:7	RFLD_REF_LO	R/W	0*	Higher Reference Value for RF Level Detector
0:3	RFLD_REF_HI	R/W	0*	Lower Reference Value for RF Level Detector

Table 109. SYSTEM_STATUS register (address 0024h) bit description

Bit	Symbol	Access	Value	Description
31:10	RFU	R	0	Reserved
9	LDO_TVDD_OK	R	0*	If set, bit indicates that LDO voltage is available on output pin LDO_OUT
8	PARAMETER_ERROR	R	0*	Parameter Error on Host Communication
7	SYNTAX_ERROR	R	0*	Syntax Error on Host Communication
6	SEMANTIC_ERROR	R	0*	Semantic Error on Host Communication
5	STBY_PREVENT_RFLD	R	0*	Entry of STBY mode prevented due to existing RFLD
4	BOOT_TEMP	R	0*	Boot Reason Temp Sensor
3	BOOT_SOFT_RESET	R	0*	Boot Reason due to SOFT RESET
2	BOOT_WUC	R	0*	Boot Reason wake-up Counter
1	BOOT_RFLD	R	0*	Boot Reason RF Level Detector
0	BOOT_POR	R	0*	Boot Reason Power on Reset / RESET_N

Table 110. TEMP_CONTROL register (address 0025h) bit description

Bit	Symbol	Access	Value	Description
4:31	RFU	R	0	Reserved
3	TEMP_ENABLE_HYST	R/W	0*	Enable hystereses of Temperature Sensor
2	TEMP_ENABLE	R/W	0*	Enable Temp Sensor
0:1	TEMP_DELTA	R/W	0*	selects temperature value: <ul style="list-style-type: none"> • 00b : 85 deg • 01b : 115 deg • 10b : 125 deg • 11b : 135 deg

Table 111. CECK_CARD_RESULT register (address 0026h) bit description

Bit	Symbol	Access	Value	Description
14:31	RFU	R	0	RFU
10:13	AGC_GEAR	R/W	0	Reading from this register starts a check card routine which is an LPCD with only one measurement point without entry to standby mode. The value contains the actual gear when DPC is used and the AGC value. Writing to this register is used as a reference value for the LPCD when LPCD mode 2 is used.
0:9	AGC_VALUE	R/W	0	

Table 112. DPC_CONFIG register (address 0027h) bit description

Bit	Symbol	Access	Value	Description
20:31		RFU	R	0
16:19	TX_GSN_CW_CM	R/W	0	GSN value for continuous wave in Card Mode
12:15	TX_GSN_MOD_CM	R/W	0	GSN value for modulation in Card Mode
8:11	TX_GSN_MOD_RM	R/W	0	GSN value for modulation in Reader Mode
4:7	TX_GSN_CW_RM	R/W	0	GSN value for continuous wave in Reader Mode
3	TX_CW_TO_MAX_RM	R/W	0	Maximum output voltage on TX driver
1:2	TX_CW_AMPLITUDE_RM	R/W	0	set amplitude of unmodulated carrier at reader mode
0	TX_CW_AMP_REF2TVDD	RW	0	If set to 1 the reference of the unmodulated carrier is defined relative to TVDD

Table 113. EMD_CONTROL register (address 0028h) bit description

Bit	Symbol	Access	Value	Description
10:31	RFU	R	0	Reserved
8:9	EMD_TRANSMISSION_TIMER_USED	R/W	0	Timer used for RF communication. 00 Timer0, 01 Timer1, 10 Timer 2, 11 RFU
7	EMD_MISSING_CRC_IS_PROT OCOL_ERROR_TYPE_B	R/W	0	RFU

Bit	Symbol	Access	Value	Description
6	EMD_MISSING_CRC_IS_PROT OCOL_ERROR_TYPE_A	R/W	0	RFU
2:5	EMD_NOISE_BYTES_THRESH OLD	R/W	0	Defines the threshold under which transmission errors are treated as noise. Note: CRC bytes are NOT included/counted!
1	EMD_TRANSMISSION_ERROR _ABOVE_NOISE_THRESHOLD_ IS_NO_EMD	R/W	0	Transmission errors with received byte length >= EMD_NOISE_BYTES_THRESHOLD is never treated as EMD (EMVCo 2.5 standard). All transmission with number of received bytes < 4 bytes are treated as EMD noise, (ignored). For transmission errors >= 4 bytes the host is notified.
0	EMD_ENABLE	R/W	0	Enable EMD handling

Recommended EMD_CONTROL register value for EMVCo 2.6 compliancy; 0x187

Recommended timer for all EMVCo compliant EMD error handlings: Timer 1

Table 114. ANT_CONTROL register (address 0029h) bit description

Bit	Symbol	Access	Value	Description
8:31	RFU	R	0	Reserved
7	ANT_INVERT_ON_TXACTIVE	R/W	0	If set to 1, the ANT short interface in card mode is inverted when tx_active is asserted (i.e. while transmission). Note: this bit is only valid in card mode. Note: if it ANT_ALM_AUTO_SWITCH_ENABLE is set this setting is ignored
6	ANT_ALM_AUTO_SWITCH_EN ABLE	R/W	0	If set to 1, the ANT setting for ALM is switched automatically by HW. By default for ALM the ANT_short and ANT_mod uses the same settings as for PLM.
5	ANT_ALM_FW_RESET	R/W	0	If set to 1 the ANT setting for ALM is reset to its initial receive configuration
4	ANT_SHORT_SELECT_RM	R/W	0	Selects the control of the ANT modulation interface in reader mode
2:3	ANT_SHORT_SELECT	R/W	0	Selects the control of the ANT short interface in cardmode for PLM; in reader mode and ALM the analog control signals are switched by digital logic. 00b Constant 0 (ANT open) 01b Constant 1 (ANT short) 10b TxEnvelope used (idle = 1, modulation = 0) 11b Inverted TxEnvelope used (idle = 0, modulation = 1)
0:1	ANT_MOD_SELECT	R/W	0	Selects the control of the ANT modulation interface in cardmode for PLM; in reader mode and ALM the analog control signals are switched by digital logic. 00b Constant 0 (No modulation on ANT mod) 01b Constant 1 (modulation on ANT mod) 10b TxEnvelope used (idle = 1, modulation = 0) 11b Inverted TxEnvelope used (idle = 0, modulation = 1)

Table 115. TX_CONTROL register (address 0036h) bit description

Bit	Symbol	Access	Value	Description
31:2	RFU	RW	0	-
1	TX_CM_GSN_TXACTIVE	RW	0	If set, CM GSN value is switched with tx_active instead of envelope
0	TX_INVERT	RW	0	If this bit is set, the resulting signal is inverted

Table 116. SIGPRO_RM_CONFIG_EXTENSION register (address 0039h) bit description

Bit	Symbol	Access	Value	Description
31:16	SYNC_VAL	R/W	0	Defines the Sync Pattern; which is expected to be sent as preamble before the actual data.
15:12	SYNC_LEN	R/W	0	Defines how many Bits of Sync_Val are valid. Example: 0 configures 1 Bit to be valid.
11	SYNC_NEGEDGE	R/W	0	Defines a SOF with no min or max in correlation. The bitgrid will be defined by the negative edge (EPC; UID).
10	LAST_SYNC_HALF	R/W	0	The last Bit of the Synccode has only half of the length compared to all other bits (EPC V2).
9:8	SYNC_TYPE	R/W	0	Set to 0 all 16 bits of SyncVal are interpreted as bits. Set to 1 a nippel of bits is interpreted as one bit in following way: {data; coll} data=zero or one; coll=1 means a collision on this bit. Note: if Coll=1 the vale of data is ignored. Set to 2 the synchronisation is done at every startbit of each byte (TypeB)
7:0	RFU	R/W	0	-

Sync pattern is fixed to B24D and it is configurable via the SIGPRO_RM_CONFIG_EXTENSION, bits 16:31 (16 bits).

At LoadRfConfig for Felica Reader (212 / 424 kbit/s), the value SYNC_VAL is set to 0xB24D. This value can be modified by writing to the bit-field Sync_Val (16:31). This is required after each LoadRfConfig command. SYNC_LEN = 0xF (1111b).

12 Secure Firmware Update

12.1 General functionality

The PN5180 supports a secure update of the implemented firmware. The secure firmware download mode is using a dedicated command set and framing which is different from the standard host interface commands used for NFC operation of the device.

In Secure Firmware update mode, the PN5180 requires a dedicated physical handling of the SPI interface lines and the BUSY line.

The secure firmware download mode is entered by setting the DWL_REQ pin to high during startup of the device. This pin can be used for any other functionality after startup, the level of this pin has no impact on the download functionality after startup during standard NFC operation.

The firmware binary file which is used to update the PN5180 is protected with a signature. This prevents a download of any other software which is not signed by NXP.

An anti-tearing function is implemented in order to detect supply voltage removal or memory fault.

During the secure firmware download, the normal mode NFC operation is not available and only the command set defined for the secure firmware download is valid.

In case of any failure or exception during the download, the PN5180 remains in the secure firmware download mode until a full firmware update sequence has been performed successfully.

Updating the firmware of the PN5180 programs the memories for user EEPROM and RF configuration with default values. Any previous user configuration will be overwritten. The user has to take care to restore the data of these memories after a secure firmware update.

The PN5180 can be used for firmware update as follows:

1. Set DWL_REQ pin to high
2. Reset
3. The PN1580 boots in download mode
4. Download new firmware version
5. Execute the check integrity command to verify the successful update (The CheckIntegrity command cannot be called while a download session is open)
6. Reset the PN5180
7. The device starts in NFC operation mode

12.2 Physical Host Interface during Secure Firmware Download

In Secure Firmware update mode, the PN5180 is using a different physical host interface signaling than in NFC operation mode.

The BUSY line is used in a different way than for NFC operation mode, and the data is packed in frames protected by a CRC16 checksum.

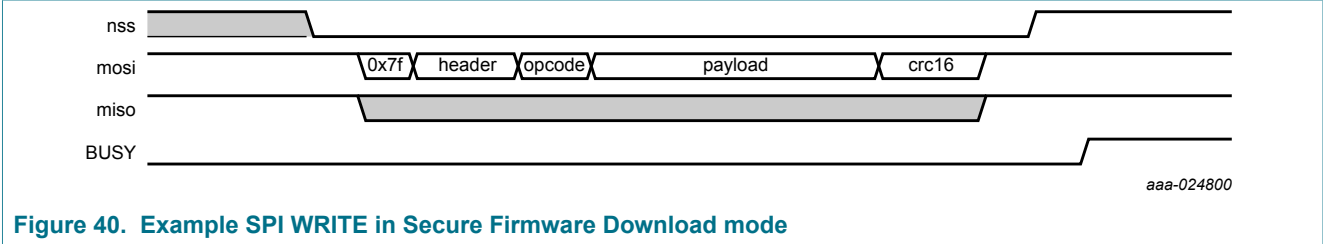


Figure 40. Example SPI WRITE in Secure Firmware Download mode

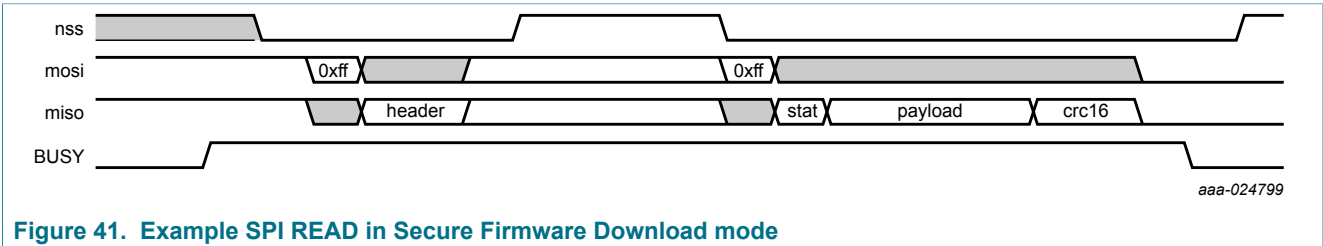


Figure 41. Example SPI READ in Secure Firmware Download mode

A complete frame transmitted in Secure Firmware Update mode consists of

For the WRITE:

1. 1 byte direction (0x7F)
2. 2 byte header (chunk bit + length of (Payload + command))
3. 1 byte command
4. (LENGTH-1) byte payload (the LENGTH in the header includes the 1byte command, therefore the length of the payload needs to be reduced by 1)
5. 2 byte CRC16 (is not included in the header length number)

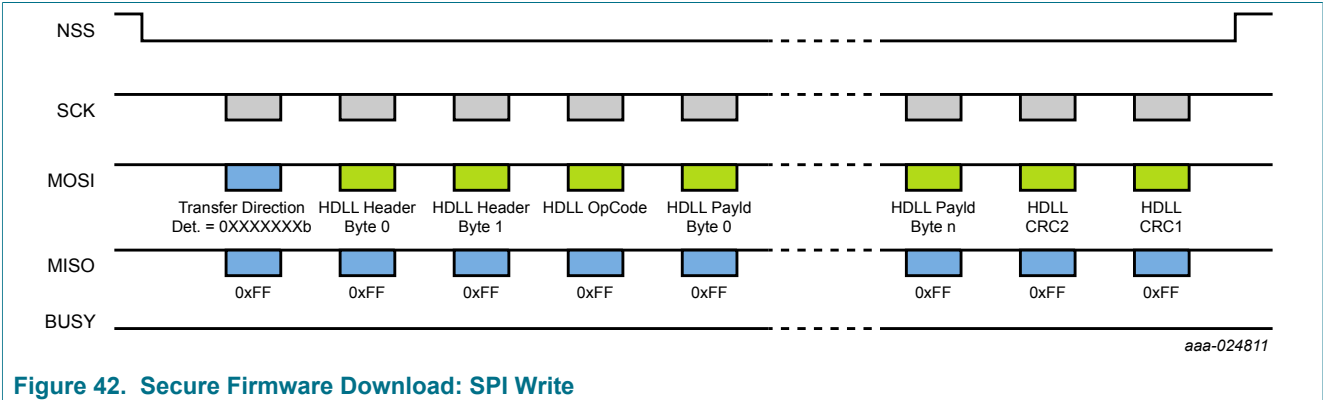


Figure 42. Secure Firmware Download: SPI Write

For the READ:

1. 1 byte direction (0xFF)
2. 2 byte header (chunk bit + length of (Payload + status))
3. 1 byte status
4. (LENGTH-1) byte payload (the LENGTH in the header includes the 1byte status, therefore the length of the payload needs to be reduced by 1)
5. 2 byte CRC16 (is not included in the header length number)

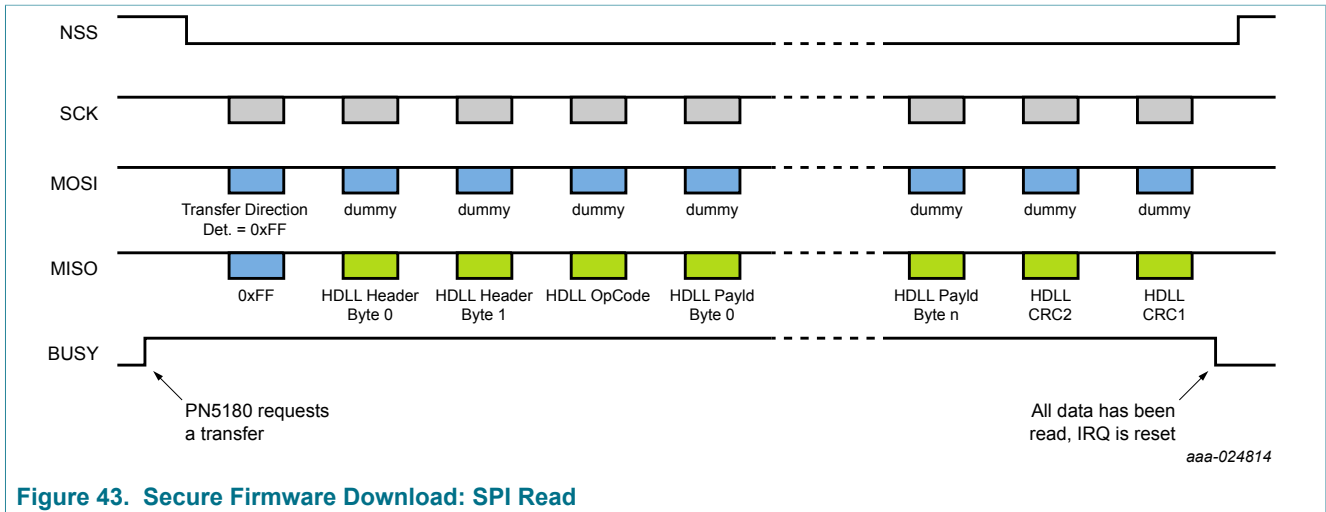


Figure 43. Secure Firmware Download: SPI Read

12.3 Download Protection

Data of the PN5180 like firmware version numbers, are protected against any tearing attempt.

The PN5180 uses a chained hash approach having the first command hash protected with an RSA signature. The chained hash sequence binds each frame with the next one comparable to an S/KEY mechanism. Hence authenticity of the downloaded code can be ensured due to secrecy of the RSA private key. Any firmware which is not issued and signed by NXP, is rejected by the security system of the PN5180 and cannot be loaded into the memory of the device.

The security system of the PN5180 assures that no firmware data can be overwritten without verifying the authenticity and integrity of the new data beforehand.

During the secure firmware download, a new firmware version number is sent. The firmware version number is composed of a major and a minor number:

1. Major number: 8 bit (MSB)
2. Minor number: 8 bit (LSB)

The PN5180 checks if the new major version number is equal or higher than the current one. In case the current major version number is larger than the already installed version number of the firmware, the secure firmware update is rejected. Downgrading major firmware versions is therefore not possible.

An integrity check command is available which can be executed by the host immediately after a firmware update to check if the update had been successful.

The major and minor firmware version numbers can be read out at any time using the host interface and commands in NFC mode to identify exactly which firmware is installed on a dedicated hardware. It is not required to enter the secure firmware download mode to retrieve this firmware version information.

An already started firmware download may be interrupted for any of the following reasons:

- Reset (hard or soft)
- Failure of the Signature verification of the first secure write command

- Hash chain is broken during the download between two consecutive secure write commands
- Protocol error in framing
- Address mismatch
- critical memory failure

The PN5180 provides comprehensive mechanisms to recover from all these conditions.

12.4 Commands

12.4.1 Frame format

All messages transmitted between the host and the PN5180 have always the following frame format: Header - Frame - CRC

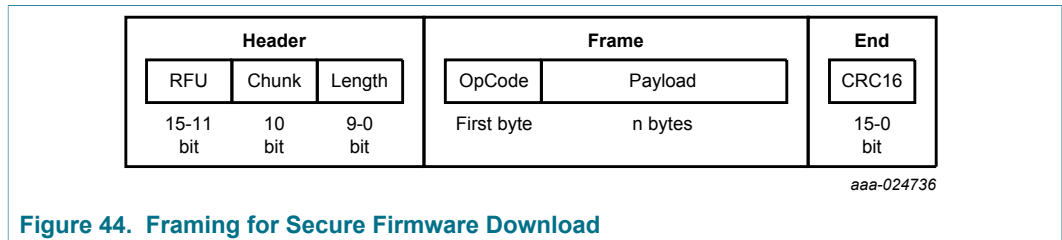


Figure 44. Framing for Secure Firmware Download

Header (2 bytes)

- RFU (bit 11..15)
- Chunk flag used for fragmentation (bit 10)
- length of the frame (bit 0..9 bit)

Frame ((n+1) byte)

- Command (1 byte)
- Payload of the command : (n-byte)

CRC (2 bytes)

- The CRC16 is compliant to X.25 (CRC-CCITT, ISO/IEC13239) standard with polynomial $x^{16} + x^{12} + x^5 + 1$ and preload value 0xFFFF.

The payload of one command consists of

- Memory block address: 3 bytes Memory block size: 2 bytes
- Memory data block: 512 bytes maximum
- Hash of the next frame: 32 bytes

The first write command used for a secure firmware download includes the version number, and a hash value over the following command and the RSA signature. Every following command includes the actual data block to be updated and the hash value over the following command and data. The last command does not contain any hash value.

The Payload including command can be split into chunks which allows the transfer of large payloads.

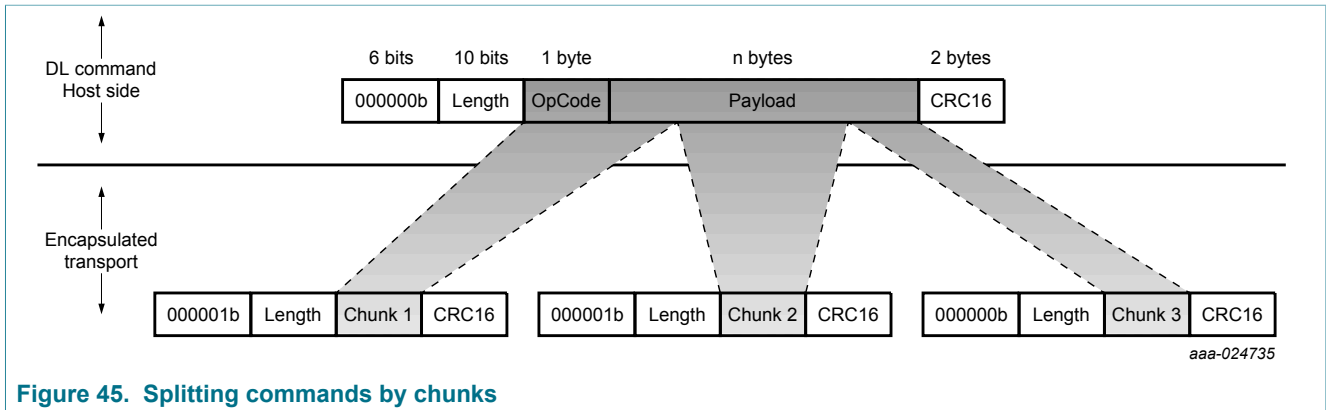


Figure 45. Splitting commands by chunks

12.4.2 Command Code Overview

The following commands are supported in Secure Firmware Download Mode

Table 117. Secure Firmware Download Commands

Command	Command code (hex)	Description
RESET	F0	This command resets the IC
GET_VERSION	F1	This command provides the IC version and firmware version
SECURE_WRITE	C0	Writes chunks of data to the IC
GET_DIE_ID	F4	The command returns the die Identifier
-	all other	RFU

The Firmware Download Mode uses a data structure which consists of header (indicating the packet length), frame (opcode/command-code and payload) and end (CRC16). Please refer to the related application note for a description how the firmware update files for new firmware versions (*.SFwu binary files) are internally organized and how to use the secure firmware download commands for downloading of the *.SFwu data to the PN5180.

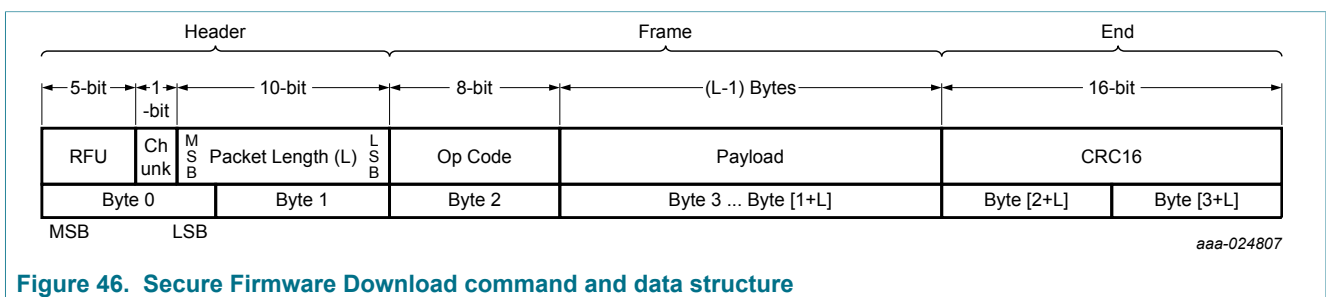


Figure 46. Secure Firmware Download command and data structure

12.4.3 Command Code Response

A response message is always a multiple of 4 bytes. The first byte of the response is used to indicate the status of the last executed command.

Table 118. Secure Firmware Command Status Return Codes

Command	Command code (hex)	Description
OK	00	command processed properly
ERROR	01-FF	any response different from 0x00 indicates an error

12.4.4 Command Code Description

12.4.4.1 RESET

Command code: 0xF0

Frame format exchange:

Host -> PN5180 [0x00 0x04 0xF0 0x00 0x00 0x00 0x18 0x5B]

Host <- PN5180 [0x00 0x04 STAT 0x00 0x00 0x00 CRC16]

The reset prevents the PN5180 from sending the OK return code. Only error codes are sent. STAT is the status return code.

12.4.4.2 GET_VERSION

Command code: 0xF1

Frame format exchange:

Host -> PN5180 [0x00 0x04 0xF1 0x00 0x00 0x00 0x6E 0xEF]

Host <- PN5180 [0x00 0x0A STAT MD FM1V FM2V CRC16]

The payload of the GetVersion command response is:

Table 119. Secure Firmware update: GetVersion command response

Field	size (Byte)	Description
STAT	1	Status return code
MD	6	Manufacturer Data
FM1V	1	Firmware major version
FM2V	1	Firmware minor version

12.4.4.3 SECURE_WRITE

Command code: 0xC0

The secure write function differs between first, middle and last write frames.

To ease the usage of the download, the Firmware binaries provided by NXP are already prepared in such a way that only the CRC16 needs to be added. All other data can be packed in the Frames without further need of e.g. HASH calculations. The provided binaries include the command code as well. The first 3 bytes of each data block to be transferred contain always the 2-byte length information and the one-byte command code 0xC0

Host -> PN5180 [Data **CRC16**]

Host <- PN5180 [0x00 0x04 STAT 0x00 0x00 0x00 CRC16]

Table 120. Secure Firmware update: First Secure Write Command response

Field	size (Byte)	Description
STAT	1	Status return code

12.4.4.4 GET_DIE_ID

Command code: 0xF4

This command returns the die Identifier (Unique chip serial number):

Host -> PN5180 [0x00 0x04 0xF4 0x00 0x00 0x00 0xD2 0xAA]

Host <- PN5180 [0x00 0x14 STAT 0x00 0x00 0x00 ID0 ID2 ID3 ID4 ID5 ID6 ID7 ID8 ID9 ID10 ID11 ID12 ID13 ID14 ID15 ID16 CRC16]

12.4.5 Error handling

If the last firmware download was not completed without error, the PN5180 responds to all commands with an answer 0x2A. No additional parameters are transmitted. In this error case, a new firmware download is required.

13 Limiting values

Stress above one or more of the limiting values may cause permanent damage to the device.

Table 121. Limiting Values

In accordance with the Absolute Maximum Rating System (IEC 60134).

Symbol	Parameter	Conditions	Min	Max	Unit
$V_{DD(PVDD)}$	supply voltage on pin PVDD	-	-	3.6	V
$V_{DD(TVDD)}$	supply voltage on pin TVDD	-	-	5.5	V
V_{ESD}	electrostatic discharge voltage	Human Body Model (HBM); 1500 Ω , 100 pF; JESD22-A114-B	-	1500	V
T_{stg}	storage temperature	no supply voltage applied	-55	+150	$^{\circ}\text{C}$
P_{tot}	total power dissipation	in still air with exposed pins soldered on a 4 layer JEDEC PCB	-	1125	mW
$I_{DD(TVDD)}$	supply current on pin TVDD		-	300	mA
$I_{OUT(LDO_OUT)}$	output current of pin LDO_OUT	$V_{(OUT)LDO_OUT}=3.3\text{V}$, $I_{DD(TVDD)} = 250\text{mA}$	0.0	100	mA
T_j	junction temperature	-	-	150	$^{\circ}\text{C}$

14 Recommended operating conditions

Exposure of the device to other conditions than specified in the Recommended Operating Conditions section for extended periods may affect device reliability.

Electrical parameters (minimum, typical and maximum) of the device are guaranteed only when it is used within the recommended operating conditions.

Table 122. Recommended Operating Conditions

Symbol	Parameter	Conditions	Min	Typ	Max	Unit
$V_{DD(VBAT)}$	supply voltage on pin VBAT	-	2.7	3.3	5.5	V
$V_{DD(PVDD)}$	supply voltage on pin PVDD	1.8 V supply	1.65	1.8	1.95	V
		3.3 V supply	2.7	3.3	3.6	V
$V_{DD(TVDD)}$	supply voltage on pin TVDD	-	2.7	5.0	5.5	V
$I_{DD(TVDD)}$	supply current on pin TVDD	in still air with exposed pins soldered on a 4 layer JEDEC PCB	-	180	250	mA
$V_{OUT(LDO_OUT)}$	output voltage of pin LDO_OUT	$I_{(OUT)LDO_OUT} = 0...100mA$	3.2	3.3	3.6	V
T_{amb}	ambient temperature	in still air with exposed pins soldered on a 4 layer JEDEC PCB	-30	+25	+85	°C

The system design shall consider that maximum supply voltages are not exceeded during power-on of the system.

15 Thermal characteristics

Table 123. Thermal characteristics HVQFN40 package

Symbol	Parameter	Conditions	Typ	Unit
$R_{th(j-a)}$	thermal resistance from junction to ambient	in free air with exposed pad soldered on a 4 layer JEDEC PCB, package HVQFN40	40	K/W

Table 124. Thermal characteristics TFBGA64 package

Symbol	Parameter	Conditions	Typ	Unit
$R_{th(j-a)}$	thermal resistance from junction to ambient	in free air with exposed pad soldered on a 4 layer JEDEC PCB, package HVQFN40	66	K/W

Table 125. Junction Temperature

Symbol	Parameter	Conditions	Max	Unit
T_j	junction temperature	-	125	°C

16 Characteristics

Table 126. Current consumption

Symbol	Parameter	Conditions	Min	Typ	Max	Unit
$I_{DD(PVDD)}$	supply current on pin PVDD	$V_{DD(PVDD)} = 3.3$ V	-	20	-	mA
$I_{DD(VBAT)}$	supply current on pin VBAT	$V_{DD(VBAT)} = 3.3$ V max current includes current of all GPO's	-	-	20	mA
I_{pd}	power-down current	$V_{DD(TVDD)} =$ $V_{DD(PVDD)}$ $=V_{DD(VDD)}$ 3.0 V; hard power-down; pin RESET_N set LOW, $T_{amb} = 25\text{ }^{\circ}\text{C}$	-	10	-	μA
I_{stb}	standby current	$T_{amb} = 25\text{ }^{\circ}\text{C}$	-	15	-	μA

Table 127. Reset pin RESET_N

Symbol	Parameter	Conditions	Min	Typ	Max	Unit
$t_{(reset)}$	reset time		10	-	-	μs
V_{IH}	HIGH-level input voltage	$V_{DD(PVDD)} \leq$ $V_{DD(VBAT)}$	1.1	-	$V_{DD(PVDD)}$	V
V_{IL}	LOW-level input voltage		0	-	0.4	V
I_{IH}	HIGH-level input current	$V_I = V_{DD(VBAT)}$	-	-	1	mA
I_{IL}	LOW-level input current	$V_I = 0$ V	-1	-	-	mA
C_i	input capacitance		-	5	-	pF

Table 128. Input Pin AUX2 /DWL_REQ

Symbol	Parameter	Conditions	Min	Typ	Max	Unit
V_{IH}	HIGH-level input voltage	$V_{DD(PVDD)} \leq$ $V_{DD(VBAT)}$	$0.65 \times$ P_{VDD}	-	$V_{DD(PVDD)}$	V
V_{IL}	LOW-level input voltage	-	0	-	0.4	V
I_{IH}	HIGH-level input current	$V_I = V_{DD(VBAT)}$	-	-	1	mA
I_{IL}	LOW-level input current	$V_I = 0$ V	-1	-	-	mA
C_i	input capacitance	-	-	5	-	pF
$t_{(RESET_N-AUX2/$ $DWL_REQ)}$	time from RESET_N high to AUX2 /DWL_REQ high	-	0	-	50	μs

High-performance multi-protocol full NFC frontend, supporting all NFC Forum modes

Table 129. GPO pin characteristics

Symbol	Parameter	Conditions	Min	Typ	Max	Unit
$V_{i(p-p)}$	peak-to-peak input voltage	-	-	-	$V_{DD(PVDD)}$	V
I_{OH}	HIGH-level output current	$V_{DD(PVDD)} = 3.3\text{ V}$	-	-	3	mA
I_{IL}	LOW-level input current	$V_{DD(PVDD)} = 3.3\text{ V}$	-	-	3	mA

Table 130. CLK1, CLK2 pin characteristics

Symbol	Parameter	Conditions	Min	Typ	Max	Unit
$V_{i(p-p)}$	peak-to-peak input voltage	-	0.2	-	1.65	V
I_{IH}	HIGH-level input current	$V_I = 1.65\text{ V}$	-	-	1	μA
I_{IL}	LOW-level input current	$V_I = 0\text{ V}$	1	-	-	μA
δ	duty cycle	-	35	-	65	%
$C_{i(CLK1)}$	input capacitance on pin CLK1	$V_{DD} = 1.8\text{ V}$, $V_{DC} = 0.65\text{ V}$, $V_{AC} = 0.9\text{ V (p-p)}$	-	2	-	pF
$C_{i(CLK2)}$	input capacitance on pin CLK2	$V_{DD} = 1.8\text{ V}$, $V_{DC} = 0.65\text{ V}$, $V_{AC} = 0.9\text{ V (p-p)}$	-	2	-	pF

Table 131. Output pin characteristics IRQ

Symbol	Parameter	Conditions	Min	Typ	Max	Unit
V_{OH}	HIGH-level output voltage	$I_{OH} < 3\text{ mA}$	$V_{DD(PVDD)}$ -0.4	-	$V_{DD(PVDD)}$	V
V_{OL}	LOW-level output voltage	$I_{OL} < 3\text{ mA}$	0	-	0.4	V
C_L	load capacitance		-	-	20	pF
t_f	fall time	$C_L = 12\text{ pF max}$	1	-	3	ns
t_r	rise time	$C_L = 12\text{ pF max}$	1	-	3	ns
R_{pd}	pull-down resistance		0.4	-	0.7	M Ω

Table 132. Input pins SCLK, MOSI, NSS

Symbol	Parameter	Conditions	Min	Typ	Max	Unit
V_{IH}	HIGH-level input voltage		$0.65 \times V_{DD(PVDD)}$	-	$V_{DD(PVDD)}$	V
V_{IL}	LOW-level input voltage		0	-	$0.35 \times V_{DD(PVDD)}$	V
C_i	input capacitance		-	5	-	pF
I_{IH}	HIGH-level input current	$V_I = P_{VDD}$	-	-	1	mA
I_{IL}	LOW-level input current	$V_I = 0\text{ V}$	-	-	1	mA

High-performance multi-protocol full NFC frontend, supporting all NFC Forum modes

Table 133. Output pin MISO

Symbol	Parameter	Conditions	Min	Typ	Max	Unit
V_{OH}	HIGH-level output voltage	$I_{OH} < 3 \text{ mA}$	$V_{DD(PVDD)} - 0.4$	-	$V_{DD(PVDD)}$	V
V_{OL}	LOW-level output voltage	$I_{OL} < 3 \text{ mA}$	0	-	0.4	V
C_L	load capacitance		-	-	20	pF
t_f	fall time	$C_L = 12 \text{ pF max}$	1	-	3	ns
t_r	rise time	$C_L = 12 \text{ pF max}$	1	-	3	ns

Table 134. Timing conditions SPI

Symbol	Parameter	Min	Typ	Max	Unit
t_{SCKL}	SCK LOW time	72	-	-	ns
t_{SCKH}	SCK HIGH time	72	-	-	ns
$t_{h(SCKH-D)}$	SCK HIGH to data input hold time	25	-	-	ns
$t_{su(D-SCKH)}$	data input to SCK HIGH set-up time	25	-	-	ns
$t_{h(SCKL-Q)}$	SCK LOW to data output hold time	-	-	25	ns
$t_{(SCKL-NSSH)}$	SCK LOW to NSS HIGH time	0	-	-	ns
t_{NSSH}	NSS HIGH time	72	-	-	ns

Table 135. Output pins ANT1 and ANT2

Symbol	Parameter	Conditions	Min	Typ	Max	Unit
$Z_{i(\text{diff})}$	differential impedance from ANT1 to ANT2	Low impedance configuration	-	10	17	Ohm
$V_{i(\text{start})(\text{lim})(\text{ANT1})}$	limiter start input voltage on ANT1	$I=10 \text{ mA}$	-	3.3	-	V
$V_{i(\text{start})(\text{lim})(\text{ANT2})}$	limiter start input voltage on ANT2	$I=10 \text{ mA}$	-	3.3	-	V

Table 136. Input pins RXp and RXn

Symbol	Parameter	Conditions	Min	Typ	Max	Unit
$V_{i(\text{dyn})}$	dynamic input voltage		-	-	1.8	V
C_i	input capacitance		-	12	-	pF
Z_i	input impedance from RXN, RXP pins to VMID	Reader, Card and P2P modes	0	-	15	k Ω

Table 137. Output pins TX1 and TX2

Symbol	Parameter	Conditions	Min	Typ	Max	Unit
V_{OH}	HIGH-level output voltage	$V_{DD(TVDD)}=5 \text{ V}$	-	$V_{DD(TVDD)} - 150 \text{ mV}$	$V_{DD(TVDD)}$	V

High-performance multi-protocol full NFC frontend, supporting all NFC Forum modes

Symbol	Parameter	Conditions	Min	Typ	Max	Unit
V _{OL}	LOW-level output voltage	V _{DD(TVDD)} =5 V	0	200	-	mV

Table 138. Start-up time

Symbol	Parameter	Conditions	Min	Typ	Max	Unit
t _{boot}	start-up time ^[1]	RESET_N = High	2.3	2.5	dependent on configuration of XTAL_BOOT_TIME in EEPROM	ms

[1] (PN5180 ready to receive commands on the host interface). The PN5180 indicates the ability to receive commands from a host by raising an IDLE IRQ.

Table 139. Crystal requirements for ISO/IEC14443 compliant operation

Symbol	Parameter	Conditions	Min	Typ	Max	Unit
f _{xtal}	crystal frequency	-	-100	-	+100	ppm
ESR	equivalent series resistance	-	-	50	100	Ω
C _L	load capacitance	-	-	10	-	pF
P _{xtal}	crystal power dissipation	-	-	-	100	μW

Table 140. Reference input frequency requirements for 8 MHz, 12 MHz, 16 MHz and 24 MHz

Symbol	Parameter	Conditions	Min	Typ	Max	Unit
φ _n	phase noise	Input noise floor at 50 kHz offset	-	-	-140	dBc/Hz
V _{i(p-p)}	peak-to-peak input voltage	sinus signal	0.2	-	1.8	V
V _{i(p-p)}	peak-to-peak input voltage	square signal	0	1.8	1.98	V
f _{i(ref)acc}	reference input frequency accuracy	-	-100	-	+100	ppm

17 Application information

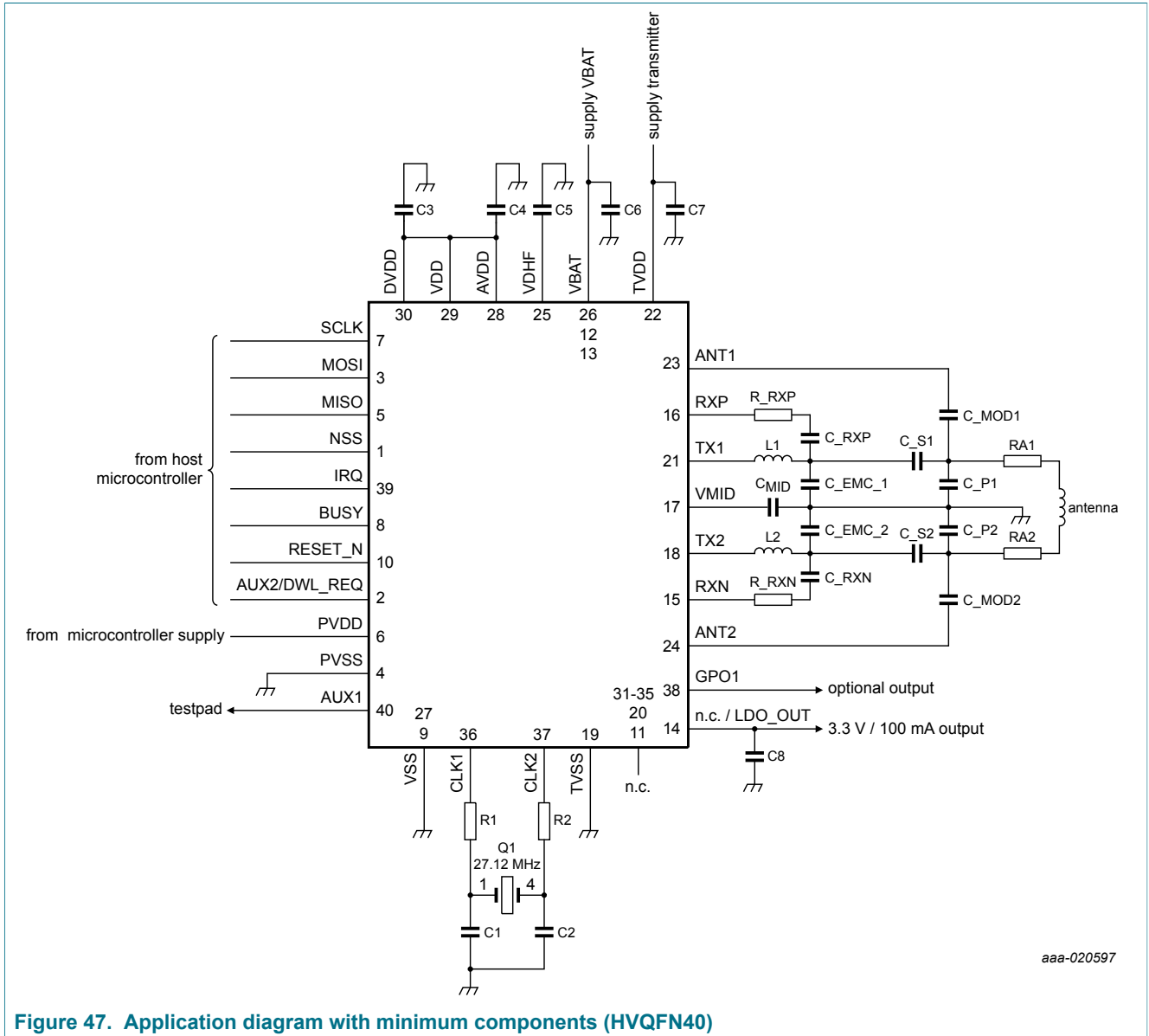


Figure 47. Application diagram with minimum components (HVQFN40)

17.1 Typical component values

The following component values are typical values for a design. Refer to the Application note "PN5180 Antenna Design Guide" how to determine the values listed to be dependent on antenna design.

Table 141. Table 140.

Component	Value
C1,C2	15 pF
C3	1 nF
C4	2.2 μF

Component	Value
C5	470 nF
C6	100 nF
C7	6.8 μ F, additional blocking capacitors 100 nF might be required dependent on PCB layout and supply characteristics
C8	10 μ F (only required in case 3.3V regulated output is used)
L1,L2	470 nH
C_EMCC_1, C_EMCC_2	220 pF
C_RCXP, C_RXN	1 nF
R_RXP, R_RXN	Dependent on antenna design
C_MOD	82 pF
C_S1, C_S2, C_P1, C_P2	Dependent on antenna design

17.2 Power supply of a microcontroller by the PN5180 / LDO_OUT

The PN5180 is able to provide an regulated 3.3V voltage with currents of up to 100mA. This regulated voltage is available on pin LDO_OUT.

The PN5180 needs to be configured properly to enable the output of the regulated 3.3 V Voltage output.

The output of the 3.3 V can be enabled either by a register configuration after boot or by EEPROM configuration at startup:

Register: SYSTEM_CONFIG.LDO_ENABLE (bit 11)

EEPROM Address 0xE8, Misc_Config (bit 3) - if set the 3.3 V output is enabled.

The supply voltage will be available during Idle mode.

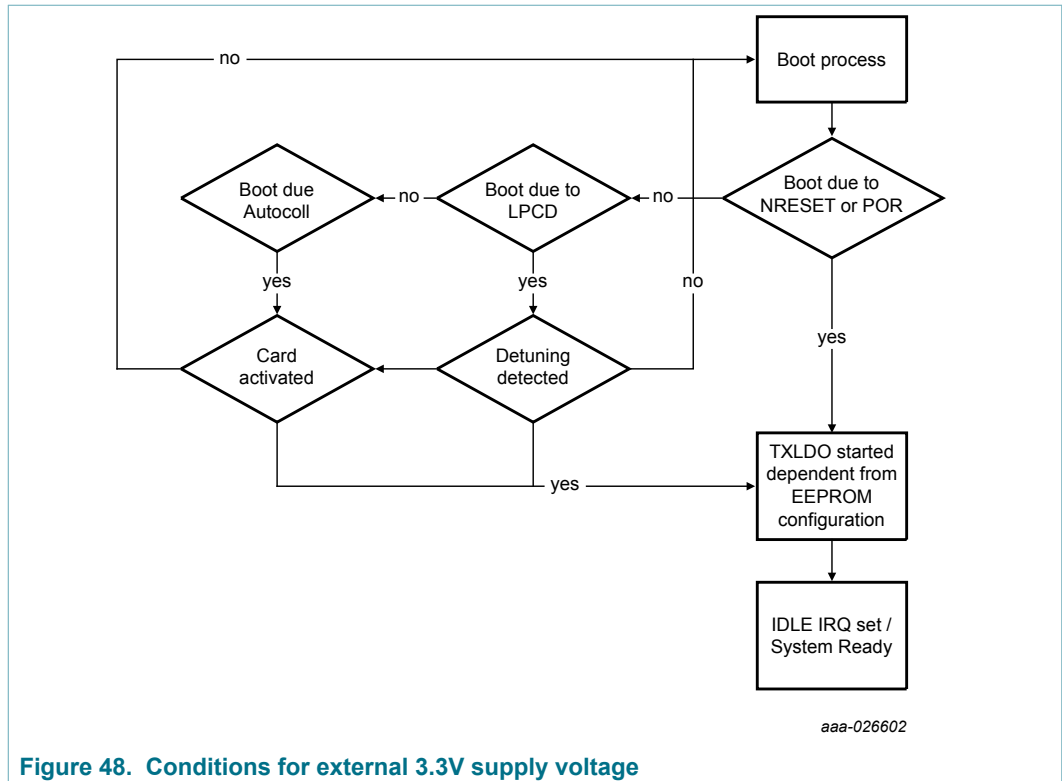


Figure 48. Conditions for external 3.3V supply voltage

17.3 Zero Power Wakeup

The PN5180 allows to use the energy of an external reader RF field to provide an output voltage on the pin VDHF, even if the chip is not otherwise supplied with power. This voltage generated from the external RF field allows to trigger a silicon main switch to supply the chip. Any NFC mobile phone polling for cards is generating periodically such an RF field which can be used to toggle this silicon main switch.

No configuration of registers is required to use this functionality.

This feature allows to develop systems with a power consumption close to zero during power-off.

17.4 Extended LPCD support

As power-saving feature the PN5180 allows using a general-purpose output to control an external DC/DC during Low-Power Card Detection.

A system might use a DC/DC for supply of the transmitters from a battery is in low power card detection mode. Typically, the DC/DC will be permanently active resulting in a high average current consumption. There is no way to use a power saving feature of a DC/DC, because the time of RF-on of a low power card detection cycle is not known to the DC/DC.

The solution is now to use a GPO to wake up the DC/DC from power down before the RF of an low power card detection cycle is switched on. The DC/DC needs to be woken up sufficiently early to allow a settling of the supplied output.

The sequence will be as follows:

1. The GPO wakes up the DC/DC
2. The PN5180 switches on the RF (low power card detection cycle)
3. If no card had been detected, the RF is switched off
4. The GPO sets the DC/DC in power saving mode

The GPO function as such can be enabled by the EEPROM register:
LPCD_REFVAL_GPO_CONTROL.

- The time between trigger of the DC/DC and RF-OFF is configured by the EEPROM register: LPCD_GPO_TOGGLE_AFTER_FIELD_OFF
- The time between trigger of the DC/DC and RF-ON is configured by the EEPROM register: LPCD_GPO_TOGGLE_BEFORE_FIELD_ON

This functionality allows to implement a power efficient LPCD function even in case of a required DC/DC.

18 Packaging information

Moisture Sensitivity Level (MSL) evaluation has been performed according to SNW-FQ-225B rev.04/07/07 (JEDEC J-STD-020C).

MSL for the HVQFN40 package is level 3 which means 260 °C convection reflow temperature.

- 1-week out-of-pack floor life at maximum ambient temperature 30°C/ 60 % RH (Relative Humidity) to limit possible moisture intrusion.
- When used in production, stored under nitrogen conditions for not more than 8 days

MSL for the TFBGA64 package is level 1:

- No dry pack is required.
- No out-of-pack floor live spec. required.

19 Package outline

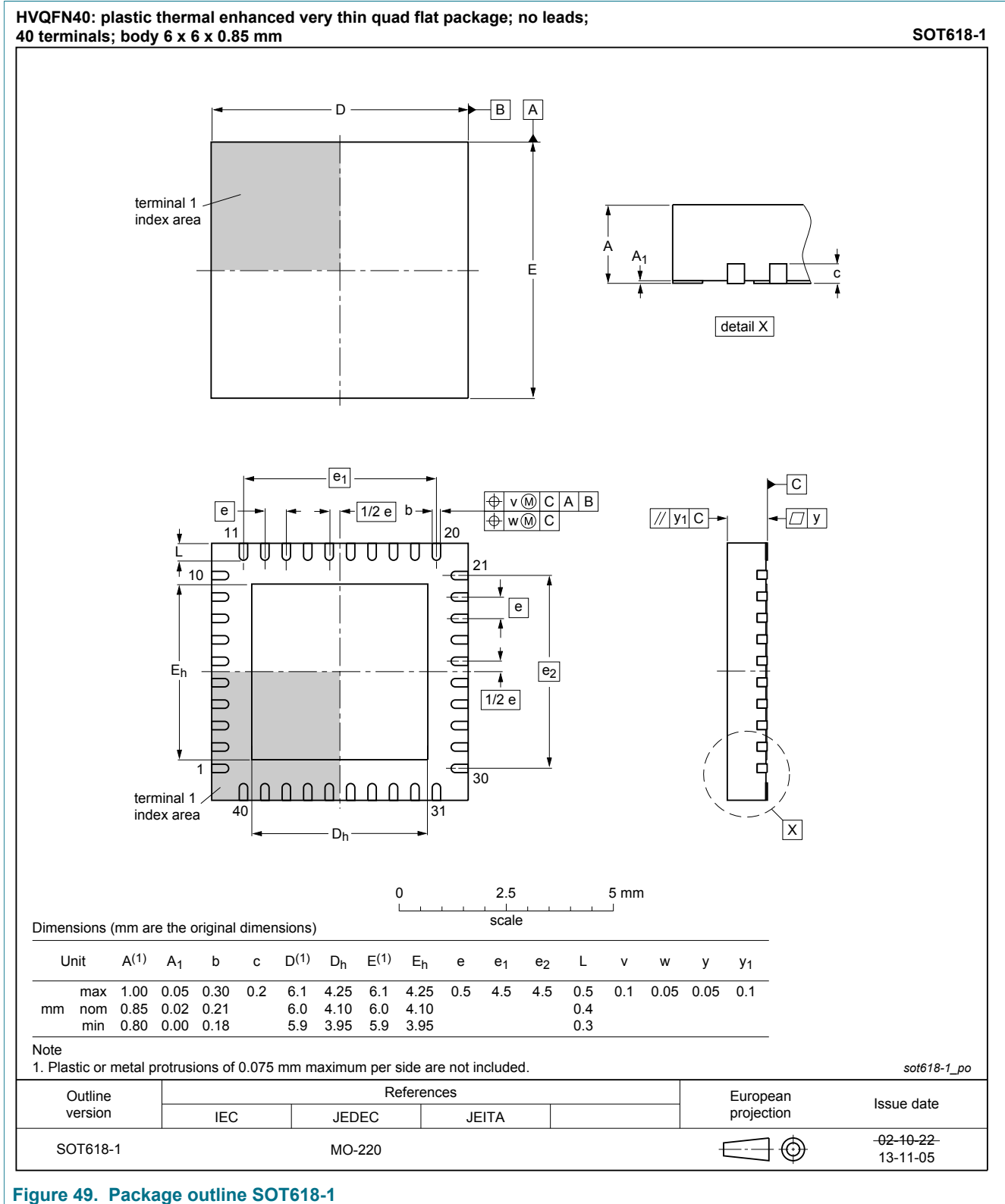
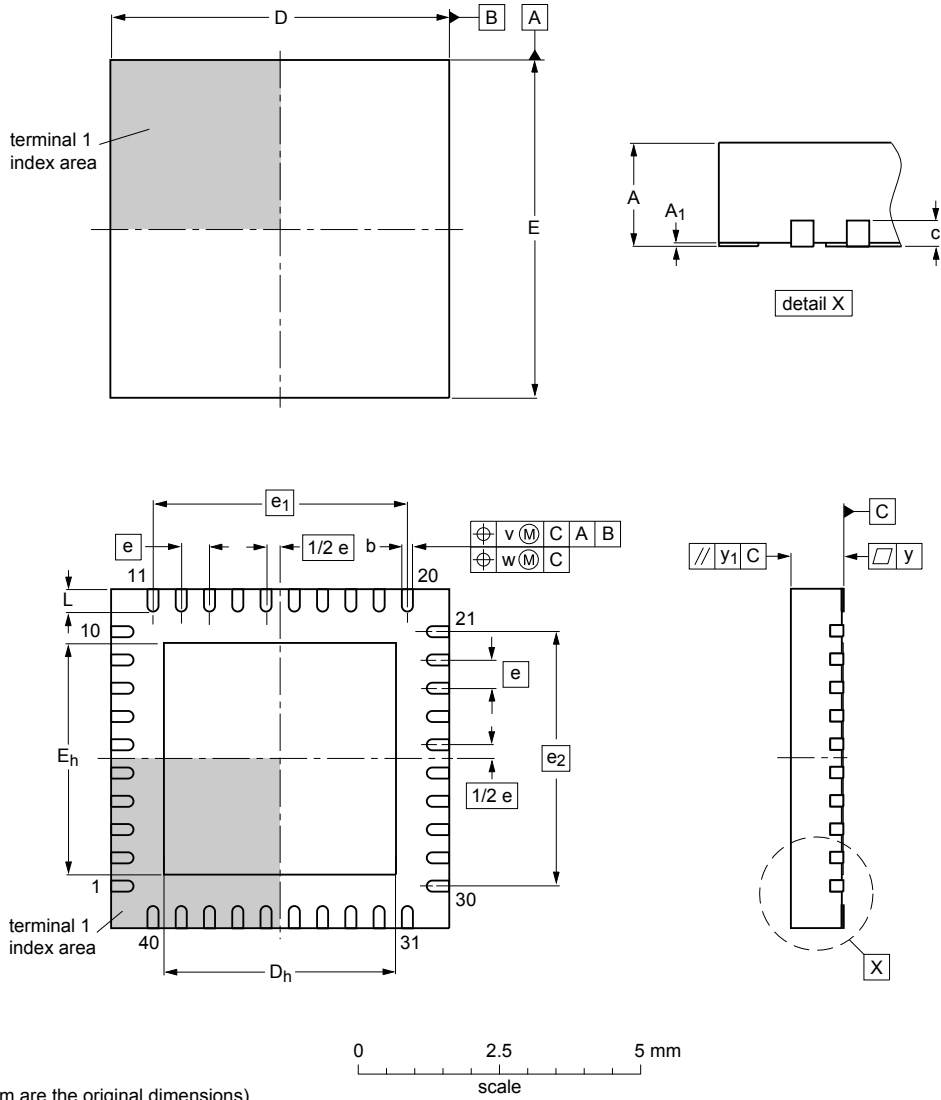


Figure 49. Package outline SOT618-1

HVQFN40: plastic thermal enhanced very thin quad flat package; no leads;
40 terminals; body 6 x 6 x 0.85 mm

SOT618-1



Dimensions (mm are the original dimensions)

Unit	A ⁽¹⁾	A ₁	b	c	D ⁽¹⁾	D _h	E ⁽¹⁾	E _h	e	e ₁	e ₂	L	v	w	y	y ₁
max	1.00	0.05	0.30	0.2	6.1	4.25	6.1	4.25	0.5	4.5	4.5	0.5	0.1	0.05	0.05	0.1
nom	0.85	0.02	0.21		6.0	4.10	6.0	4.10				0.4				
min	0.80	0.00	0.18		5.9	3.95	5.9	3.95				0.3				

Note

1. Plastic or metal protrusions of 0.075 mm maximum per side are not included.

sot618-1_po

Outline version	References				European projection	Issue date
	IEC	JEDEC	JEITA			
SOT618-1		MO-220				02-10-22 13-11-05

Figure 50. Package outline SOT1336-1

20 Appendix

20.1 Timer Delay for start of reception measurement

This table is valid until FW 3.6, from FW 3.8 this values are automatically set by Firmware.

Table 142. Timer delay for STOP_ON_RX_STARTED configuration

Setting	Protocol	Speed (kbit/s)	Modulation	delay (μ s)
0x80	ISO 14443-A	106	Manch. SubC	48
0x81	ISO 14443-A	212	BPSK	24
0x82	ISO 14443-A	424	BPSK	12
0x83	ISO 14443-A	848	BPSK	6
0x84	ISO 14443-B	106	BPSK	182
0x85	ISO 14443-B	212	BPSK	91
0x86	ISO 14443-B	424	BPSK	46
0x87	ISO 14443-B	848	BPSK	23
0x88	FeliCa	212	-	95
0x89	FeliCa	424	-	48
0x8A	NFC-Active Initiator	106	-	-
0x8B	NFC-Active Initiator	212	-	-
0x8C	NFC-Active Initiator	424	-	-
0x8D	ISO 15693	26	1 out 4 / SC	321
0x8E	ISO 15693	53	1 out 4 / SC	161
0x8F	ISO 18003M3 Manch. 424_4	106	Manch. 424 / 4 period	121
0x90	ISO 18003M3 Manch. 424_2	212	Manch. 424 / 2 period	75
0x91	ISO 18003M3 Manch. 848_4	212	Manch. 848 / 4 period	47
0x92	ISO 18003M3 Manch. 848_2	424	Manch. 848 / 2 period	11
0x93	ISO 14443-A PICC	106	Miller	48
0x94	ISO 14443-A PICC	212	Miller	24
0x95	ISO 14443-A PICC	424	Miller	12
0x96	ISO 14443-A PICC	848	Miller	6
0x97	NFC Passive Target 212	212	-	95
0x98	NFC Passive Target 424	424	-	48

20.2 Default protocol settings for LOAD_RF_CONFIG, Transmitter

20.2.1 ISO/IEC 14443 A-106

Table 143. ISO/IEC 14443 A-106

Register name	Initialization value
RF_CONTROL_TX_CLK	0x74
TX_DATA_MOD	0x2350
TX_UNDERSHOOT_CONFIG	0x17
TX_OVERSHOOT_CONFIG	0x0
RF_CONTROL_TX	0xDBCF43
ANT_CONTROL	0x10

20.2.2 ISO/IEC 14443 A-212

Table 144. ISO/IEC 14443 A-212

Register name	Initialization value
RF_CONTROL_TX_CLK	0x82
TX_DATA_MOD	0x2350
TX_UNDERSHOOT_CONFIG	0x17
TX_OVERSHOOT_CONFIG	0x0
RF_CONTROL_TX	0xDBCF043
ANT_CONTROL	0x10

20.2.3 ISO/IEC 14443 A-424

Table 145. ISO/IEC 14443 A-424

Register name	Initialization value
RF_CONTROL_TX_CLK	0x82
TX_DATA_MOD	0x650
TX_UNDERSHOOT_CONFIG	0x5
TX_OVERSHOOT_CONFIG	0x0
RF_CONTROL_TX	0xDBCF43
ANT_CONTROL	0x10

20.2.4 ISO/IEC 14443 A-848

Table 146. ISO/IEC 14443 A-848

Register name	Initialization value
RF_CONTROL_TX_CLK	0x82
TX_DATA_MOD	0x150
TX_UNDERSHOOT_CONFIG	0x1
TX_OVERSHOOT_CONFIG	0x0

High-performance multi-protocol full NFC frontend, supporting all NFC Forum modes

Register name	Initialization value
RF_CONTROL_TX	0xF9EF45
ANT_CONTROL	0x10

20.2.5 ISO/IEC 14443 B-106

Table 147. ISO/IEC 14443 B-106

Register name	Initialization value
RF_CONTROL_TX_CLK	0x8E
TX_DATA_MOD	0x0
TX_UNDERSHOOT_CONFIG	0x0
TX_OVERSHOOT_CONFIG	0x0
RF_CONTROL_TX	0x3A4756
ANT_CONTROL	0x10

20.2.6 ISO/IEC 14443 B-212

Table 148. ISO/IEC 14443 B-212

Register name	Initialization value
RF_CONTROL_TX_CLK	0x8E
TX_DATA_MOD	0x0
TX_UNDERSHOOT_CONFIG	0x0
TX_OVERSHOOT_CONFIG	0x0
RF_CONTROL_TX	0x39C746
ANT_CONTROL	0x10

20.2.7 ISO/IEC 14443 B-424

Table 149. ISO/IEC 14443 B-424

Register name	Initialization value
RF_CONTROL_TX_CLK	0x78E
TX_DATA_MOD	0x0
TX_UNDERSHOOT_CONFIG	0x0
TX_OVERSHOOT_CONFIG	0x1FE0013
RF_CONTROL_TX	0x71CF54
ANT_CONTROL	0x10

20.2.8 ISO/IEC 14443 B-848

Table 150. ISO/IEC 14443 B-848

Register name	Initialization value
RF_CONTROL_TX_CLK	0x78E
TX_DATA_MOD	0x0
TX_UNDERSHOOT_CONFIG	0x0
TX_OVERSHOOT_CONFIG	0x7E000D
RF_CONTROL_TX	0x69AF32
ANT_CONTROL	0x10

20.2.9 Felica-212

Table 151. Felica-212

Register name	Initialization value
RF_CONTROL_TX_CLK	0x8E
TX_DATA_MOD	0x0
TX_UNDERSHOOT_CONFIG	0x0
TX_OVERSHOOT_CONFIG	0x0
RF_CONTROL_TX	0x39E744
ANT_CONTROL	0x10

20.2.10 Felica-424

Table 152. Felica-424

Register name	Initialization value
RF_CONTROL_TX_CLK	0x8E
TX_DATA_MOD	0x0
TX_UNDERSHOOT_CONFIG	0x0
TX_OVERSHOOT_CONFIG	0x0
RF_CONTROL_TX	0x39EF33
ANT_CONTROL	0x10

20.2.11 NFC active initiator A-106

Table 153. NFC active initiator A-106

Register name	Initialization value
RF_CONTROL_TX_CLK	0x8782
TX_DATA_MOD	0x2350
TX_UNDERSHOOT_CONFIG	0x17
TX_OVERSHOOT_CONFIG	0x0

High-performance multi-protocol full NFC frontend, supporting all NFC Forum modes

Register name	Initialization value
RF_CONTROL_TX	0xDBCF43
ANT_CONTROL	0x10

20.2.12 NFC active initiator A-212

Table 154. NFC active initiator A-212

Register name	Initialization value
RF_CONTROL_TX_CLK	0x808E
TX_DATA_MOD	0x0
TX_UNDERSHOOT_CONFIG	0x0
TX_OVERSHOOT_CONFIG	0x0
RF_CONTROL_TX	0x39E744
ANT_CONTROL	0x10

20.2.13 NFC active initiator A-424

Table 155. NFC active initiator A-424

Register name	Initialization value
RF_CONTROL_TX_CLK	0x808E
TX_DATA_MOD	0x0
TX_UNDERSHOOT_CONFIG	0x0
TX_OVERSHOOT_CONFIG	0x0
RF_CONTROL_TX	0x39EF33
ANT_CONTROL	0x10

20.2.14 ISO/IEC15693-26

Table 156. ISO/IEC15693-26

Register name	Initialization value
RF_CONTROL_TX_CLK	0x782
TX_DATA_MOD	0x0
TX_UNDERSHOOT_CONFIG	0xF00001F
TX_OVERSHOOT_CONFIG	0x0
RF_CONTROL_TX	0xDBCF45
ANT_CONTROL	0x10

20.2.15 ISO/IEC15693-53**Table 157. ISO/IEC15693-53**

Register name	Initialization value
RF_CONTROL_TX_CLK	0x8E
TX_DATA_MOD	0x0
TX_UNDERSHOOT_CONFIG	0xFF000F
TX_OVERSHOOT_CONFIG	0x0
RF_CONTROL_TX	0x3A4F44
ANT_CONTROL	0x10

20.2.16 ISO/IEC18003M3 - TARI=18.88 μ s**Table 158. ISO/IEC18003M3 - TARI=18.88us**

Register name	Initialization value
RF_CONTROL_TX_CLK	0x8E
TX_DATA_MOD	0x0
TX_UNDERSHOOT_CONFIG	0xFF000F
TX_OVERSHOOT_CONFIG	0x0
RF_CONTROL_TX	0x3A2734
ANT_CONTROL	0x10

20.2.17 ISO/IEC18003M3 - TARI=9.44 μ s**Table 159. ISO/IEC18003M3 - TARI=9.44 μ s**

Register name	Initialization value
RF_CONTROL_TX_CLK	0x8E
TX_DATA_MOD	0x0
TX_UNDERSHOOT_CONFIG	0xFF000F
TX_OVERSHOOT_CONFIG	0x0
RF_CONTROL_TX	0x3A4734
ANT_CONTROL	0x10

20.2.18 PICC ISO/IEC14443-A 106**Table 160. PICC ISO/IEC14443-A 106**

Register name	Initialization value
RF_CONTROL_TX_CLK	0x8000
TX_DATA_MOD	0x72
RF_CONTROL_TX	0x0
ANT_CONTROL	0xC

20.2.19 PICC ISO/IEC14443-A 212**Table 161. PICC ISO/IEC14443-A 212**

Register name	Initialization value
RF_CONTROL_TX_CLK	0x8000
TX_DATA_MOD	0x72
RF_CONTROL_TX	0x0
ANT_CONTROL	0xC

20.2.20 PICC ISO/IEC14443-A 424**Table 162. PICC ISO/IEC14443-A 424**

Register name	Initialization value
RF_CONTROL_TX_CLK	0x8000
TX_DATA_MOD	0x72
RF_CONTROL_TX	0x0
ANT_CONTROL	0xC

20.2.21 PICC ISO/IEC14443-A 848**Table 163. PICC ISO/IEC14443-A 848**

Register name	Initialization value
RF_CONTROL_TX_CLK	0x8000
TX_DATA_MOD	0x72
RF_CONTROL_TX	0x0
ANT_CONTROL	0xC

20.2.22 NFC passive target 212**Table 164. NFC passive target 212**

Register name	Initialization value
RF_CONTROL_TX_CLK	0x8000
TX_DATA_MOD	0x0
TX_UNDERSHOOT_CONFIG	0x0
TX_OVERSHOOT_CONFIG	0x0
RF_CONTROL_TX	0x0
ANT_CONTROL	0xC

20.2.23 NFC passive target 424**Table 165. NFC passive target 424**

Register name	Initialization value
RF_CONTROL_TX_CLK	0x8000
TX_DATA_MOD	0x0
TX_UNDERSHOOT_CONFIG	0x0
TX_OVERSHOOT_CONFIG	0x0
RF_CONTROL_TX	0x0
ANT_CONTROL	0xC

20.2.24 NFC active target 106**Table 166. NFC active target 106**

Register name	Initialization value
RF_CONTROL_TX_CLK	0x8782
TX_DATA_MOD	0x2350
TX_UNDERSHOOT_CONFIG	0x17
TX_OVERSHOOT_CONFIG	0x0
RF_CONTROL_TX	0xDBCF43
ANT_CONTROL	0x10

20.2.25 NFC active target 212**Table 167. NFC active target 212**

Register name	Initialization value
RF_CONTROL_TX_CLK	0x0808E
TX_DATA_MOD	0x0
TX_UNDERSHOOT_CONFIG	0x0
TX_OVERSHOOT_CONFIG	0x0
RF_CONTROL_TX	0x39E744
ANT_CONTROL	0x10

20.2.26 NFC active target 424**Table 168. NFC active target 424**

Register name	Initialization value
RF_CONTROL_TX_CLK	0x808E
TX_DATA_MOD	0x0
TX_UNDERSHOOT_CONFIG	0x0
TX_OVERSHOOT_CONFIG	0x0

High-performance multi-protocol full NFC frontend, supporting all NFC Forum modes

Register name	Initialization value
RF_CONTROL_TX	0x39EF33
ANT_CONTROL	0x10

20.2.27 NFC general target mode - all data rates

Table 169. NFC general target mode - all data rates

Register name	Initialization value
RF_CONTROL_TX_CLK	0x8000
TX_DATA_MOD	0x72

20.3 Default protocol settings for LOAD_RF_CONFIG, Receiver

20.3.1 ISO/IEC 14443 A-106

Table 170. ISO/IEC 14443 A-106

Register name	Initialization value
AGC_VALUE	0x801F0
AGC_CONFIG	0x804B
ANA_RX_POWER_CONTROL_RFU	0x200
SIGPRO_CM_CONFIG	0x0
SIGPRO_RM_CONFIG	0x430DC
RF_CONTROL_RX	0x1E

20.3.2 ISO/IEC 14443 A-212

Table 171. ISO/IEC 14443 A-212

Register name	Initialization value
AGC_VALUE	0x0x801F0801F0
AGC_CONFIG	0x860B
SIGPRO_CM_CONFIG	0x0
SIGPRO_RM_CONFIG	0x430DC
RF_CONTROL_RX	0x1E

20.3.3 ISO/IEC 14443 A-424

Table 172. ISO/IEC 14443 A-424

Register name	Initialization value
AGC_VALUE	0x801F0
AGC_CONFIG	0x860B
SIGPRO_CM_CONFIG	0x0

High-performance multi-protocol full NFC frontend, supporting all NFC Forum modes

Register name	Initialization value
SIGPRO_RM_CONFIG	0x192905
RF_CONTROL_RX	0x16

20.3.4 ISO/IEC 14443 A-848

Table 173. ISO/IEC 14443 A-848

Register name	Initialization value
AGC_VALUE	0x801F0
AGC_CONFIG	0x860B
SIGPRO_CM_CONFIG	0x0
SIGPRO_RM_CONFIG	0xF2505
RF_CONTROL_RX	0x11

20.3.5 ISO/IEC 14443 B-106

Table 174. ISO/IEC 14443 B-106

Register name	Initialization value
AGC_VALUE	0x801F0
AGC_CONFIG	0x860B
SIGPRO_CM_CONFIG	0x0
SIGPRO_RM_CONFIG	0x1F2415
RF_CONTROL_RX	0x16

20.3.6 ISO/IEC 14443 B-212

Table 175. ISO/IEC 14443 B-212

Register name	Initialization value
AGC_VALUE	0x801F0
AGC_CONFIG	0x860B
SIGPRO_CM_CONFIG	0x0
SIGPRO_RM_CONFIG	0x192805
RF_CONTROL_RX	0x16

20.3.7 ISO/IEC 14443 B-424

Table 176. ISO/IEC 14443 B-424

Register name	Initialization value
AGC_VALUE	0x801F0
AGC_CONFIG	0x860B
SIGPRO_CM_CONFIG	0x0

High-performance multi-protocol full NFC frontend, supporting all NFC Forum modes

Register name	Initialization value
SIGPRO_RM_CONFIG	0x192A05
RF_CONTROL_RX	0x16

20.3.8 ISO/IEC 14443 B-848

Table 177. ISO/IEC 14443 B-848

Register name	Initialization value
AGC_VALUE	0x801F0
AGC_CONFIG	0x860B
SIGPRO_CM_CONFIG	0x0
SIGPRO_RM_CONFIG	0xF2505
RF_CONTROL_RX	0x1A

20.3.9 Felica 212

Table 178. Felica 212

Register name	Initialization value
AGC_VALUE	0x801F0
AGC_CONFIG	0x860B
SIGPRO_CM_CONFIG	0x0
SIGPRO_RM_CONFIG	0xF2605
RF_CONTROL_RX	0x11

20.3.10 FeliCa 424

Table 179. FeliCa 424

Register name	Initialization value
AGC_VALUE	0x801F0
AGC_CONFIG	0x860B
SIGPRO_CM_CONFIG	0x0
SIGPRO_RM_CONFIG	0x2605
RF_CONTROL_RX	0x15

20.3.11 NFC Active Initiator 106

Table 180. NFC Active Initiator 106

Register name	Initialization value
AGC_VALUE	0xC0150
AGC_CONFIG	0xA00B
RX_RFU	0x1

High-performance multi-protocol full NFC frontend, supporting all NFC Forum modes

Register name	Initialization value
SIGPRO_CM_CONFIG	0x0
RF_CONTROL_RX	0x23

20.3.12 NFC Active Initiator 212

Table 181. NFC Active Initiator 212

Register name	Initialization value
AGC_VALUE	0xC0150
AGC_CONFIG	0xA00B
SIGPRO_CM_CONFIG	0x50010060
RF_CONTROL_RX	0x23

20.3.13 NFC Active Initiator 424

Table 182. NFC Active Initiator 424

Register name	Initialization value
AGC_VALUE	0xC0150
AGC_CONFIG	0xA00B
SIGPRO_CM_CONFIG	0x50010060
RF_CONTROL_RX	0x23

20.3.14 ISO/IEC 15693-26

Table 183. ISO/IEC 15693-26

Register name	Initialization value
AGC_VALUE	0x801F0
AGC_CONFIG	0x804B
SIGPRO_CM_CONFIG	0x0
SIGPRO_RM_CONFIG	0x4010
RF_CONTROL_RX	0x1A

20.3.15 ISO/IEC 15693-53

Table 184. ISO/IEC 15693-53

Register name	Initialization value
AGC_VALUE	0x801F0
AGC_CONFIG	0x804B
SIGPRO_CM_CONFIG	0x0
SIGPRO_RM_CONFIG	0xC4010
RF_CONTROL_RX	0x1A

20.3.16 ISO 18003M3- Tari 18.88**Table 185. ISO 18003M3- Tari 18.88**

Register name	Initialization value
AGC_VALUE	0x801F0
AGC_CONFIG	0x860B
SIGPRO_CM_CONFIG	0x0
SIGPRO_CM_CONFIG_RFU	0x0
SIGPRO_RM_CONFIG	0x8014
RF_CONTROL_RX	0x1A

20.3.17 ISO 18003M3- Tari 9.44 848_2**Table 186. ISO 18003M3- Tari 9.44 848_2**

Register name	Initialization value
AGC_VALUE	0x801F0
AGC_CONFIG	0x860B
SIGPRO_CM_CONFIG	0x0
SIGPRO_RM_CONFIG	0xC6014
SIGPRO_CM_CONFIG2_RFU	0x1

20.3.18 ISO 18003M3- Tari 9.44 -848_4**Table 187. ISO18003M3- Tari 9.44 -848_4**

Register name	Initialization value
AGC_VALUE	0x801F0
AGC_CONFIG	0x860B
SIGPRO_CM_CONFIG	0x0
SIGPRO_RM_CONFIG	0xC8094
RF_CONTROL_RX	0x1F

20.3.19 ISO 14443A-PICC 106**Table 188. ISO 14443A-PICC 106**

Register name	Initialization value
AGC_CONFIG	0xA003
RX_RFU	0x1
SIGPRO_CM_CONFIG	0x1000801C
RF_CONTROL_RX	0x23

20.3.20 ISO 14443A-PICC 212

Table 189. ISO 14443A-PICC 212

Register name	Initialization value
AGC_CONFIG	0xA003
SIGPRO_CM_CONFIG	0x1C0600E0
RF_CONTROL_RX	0xE3

20.3.21 ISO 14443A-PICC 424

Table 190. ISO 14443A-PICC 424

Register name	Initialization value
AGC_CONFIG	0xA003
SIGPRO_CM_CONFIG	0x14040040
RF_CONTROL_RX	0x23

20.3.22 ISO 14443A-PICC 848

Table 191. ISO 14443A-PICC 848

Register name	Initialization value
AGC_CONFIG	0xA003
SIGPRO_CM_CONFIG	0x8030040
RF_CONTROL_RX	0x2F

20.3.23 NFC-Passive target -212

Table 192. NFC-Passive target -212

Register name	Initialization value
AGC_CONFIG	0xA003
SIGPRO_CM_CONFIG	0x50010060
RF_CONTROL_RX	0x23

20.3.24 NFC-Passive target -424

Table 193. NFC-Passive target -424

Register name	Initialization value
AGC_CONFIG	0xA003
SIGPRO_CM_CONFIG	0x50010060
RF_CONTROL_RX	0x23

20.3.25 NFC-active target - 106**Table 194. NFC-active target - 106**

Register name	Initialization value
AGC_VALUE	0xC0150
AGC_CONFIG	0xA00B
SIGPRO_CM_CONFIG	0x0
RF_CONTROL_RX	0x23

20.3.26 NFC-active target - 212**Table 195. NFC-active target - 212**

Register name	Initialization value
AGC_VALUE	0xC0150
AGC_CONFIG	0xA00B
SIGPRO_CM_CONFIG	0x50010060
RF_CONTROL_RX	0x23

20.3.27 NFC-active target - 424**Table 196. NFC-active target - 424**

Register name	Initialization value
AGC_VALUE	0xC0150
AGC_CONFIG	0xA00B
SIGPRO_CM_CONFIG	0x50010060
RF_CONTROL_RX	0x23

20.3.28 NFC-General target mode - all data rates**Table 197. NFC-General target mode - all data rates**

Register name	Initialization value
AGC_VALUE	0xC0150
AGC_CONFIG	0xA003
SIGPRO_CM_CONFIG	0x10010060
RF_CONTROL_RX	0x23

21 Abbreviations

Table 198. Abbreviations

Acronym	Description
ADC	Analog-to-Digital Converter
AWC	Adaptive Waveform Control
BPSK	Binary Phase Shift Keying
BBA	Base Band Amplifier
CRC	Cyclic Redundancy Check
DPC	Dynamic Power Control
EGT	Extra Guard Time
EMC	ElectroMagnetic Compatibility
EMD	ElectroMagnetic Disturbance
EOF	End Of Frame
ETU	Elementary Time Unit
HBM	Human Body Model
LFO	Low Frequency Oscillator
LPCD	Low-Power Card Detection
LSB	Least Significant Bit
MISO	Master In Slave Out
MOSI	Master Out Slave In
MSB	Most Significant Bit
NRZ	Not Return to Zero
NSS	Not Slave Select
PCD	Proximity Coupling Device
PLL	Phase-Locked Loop
RZ	Return To Zero
RX	Receiver
SOF	Start Of Frame
SPI	Serial Peripheral Interface
SW	Software
TX	Transmitter
UART	Universal Asynchronous Receiver Transmitter
UID	Unique Identification

22 References

[1]

ISO/IEC 14443

parts 2: 2001 COR 1 2007 (01/11/2007), part 3: 2001 COR 1 2006 (01/09/2006) and part 4: 2nd edition 2008 (15/07/2008)

23 Revision history

Table 199. Revision history

Document ID	Release date	Data sheet status	Change notice	Supersedes
PN5180A0xx/C1/C2 v. 3.6	20180507	Product data sheet	-	PN5180A0xx/C1/C2 v. 3.5
Modifications:	<ul style="list-style-type: none"> Improved description of EEPROM configuration RF_DEBOUNCE_TIMEOUT in Section 11.5.2 			
PN5180A0xx/C1/C2 v. 3.5	20180417	Product data sheet	-	PN5180 v. 3.4
Modifications:	<ul style="list-style-type: none"> Line B1, B2 in Section 8 updated, description of line B2 added Editorial updates 			
PN5180A0xx/C1/C2 v. 3.4	20171220	Product data sheet	-	PN5180 v. 3.3
Modifications:	<ul style="list-style-type: none"> Descriptive title upated EEPROM clock configuration updated ANALOG TEST SIGNALS description updated Figure 47: updated Commend UPDATE_RF_CONFIG - 0x12 length byte info updated from 42 to 42 x 6 bytes Condition for VBAT deleted in Section 16 "Characteristics" 			
PN5180A0xx/C1/C2 v. 3.3	20170727	Product data sheet	-	PN5180 v. 3.2
Modifications:	<ul style="list-style-type: none"> Removed references to PN5180A0xxC3, a dedicated data sheet is available for this product version PN5180A0xxC3 FW information from 2.4 to 3.4. corrected Figure 3 and Figure 2 updated 			
PN5180 v. 3.2	20170301	Product data sheet	-	PN5180 v. 3.2
Modifications:	<ul style="list-style-type: none"> Added description of Firmware functionality until FW 3.9 Added description: Zero Power Wakeup Added description: Extended LPCD support Added description for supplying a microcontroller by PN5180 Correction of number of terminals for HVQFN40 package in ordering info Corrected bit positions for IRQ_ENABLE register, IRQ_clear register 			
PN5180 v. 3.1	20161107	Product data sheet	-	PN5180 v. 3.0
Modifications:	<ul style="list-style-type: none"> Description of Secure Firmware Update added Description of analog debug functionality added Page 39: Added sequence for host interface handling during debug interface (AUX) enabled Figure 47 "Application diagram with minimum components (HVQFN40)": updated 			
PN5180 v. 3.0	20161006	Product data sheet	-	PN5180 v. 2.2
Modifications:	<ul style="list-style-type: none"> Data sheet status changed into Product data sheet Section 6 "Versions" added General update 			
PN5180 v. 2.2	20151217	Preliminary data sheet	-	PN5180 v. 2.1
Modifications:	<ul style="list-style-type: none"> Section 11.4.3.2 "Transmission Buffer": Size of RX buffer corrected to 508 bytes Waveform control description added Figure 47 "Application diagram with minimum components": updated 			
PN5180 v. 2.1	20151126	Preliminary data sheet	-	PN5180 v. 2.0

High-performance multi-protocol full NFC frontend, supporting all NFC Forum modes

Document ID	Release date	Data sheet status	Change notice	Supersedes
Modifications:	• Minor updates			
PN5180 v. 2.0	20151124	Preliminary data sheet	-	-

24 Legal information

24.1 Data sheet status

Document status ^{[1][2]}	Product status ^[3]	Definition
Objective [short] data sheet	Development	This document contains data from the objective specification for product development.
Preliminary [short] data sheet	Qualification	This document contains data from the preliminary specification.
Product [short] data sheet	Production	This document contains the product specification.

- [1] Please consult the most recently issued document before initiating or completing a design.
- [2] The term 'short data sheet' is explained in section "Definitions".
- [3] The product status of device(s) described in this document may have changed since this document was published and may differ in case of multiple devices. The latest product status information is available on the Internet at URL <http://www.nxp.com>.

24.2 Definitions

Draft — The document is a draft version only. The content is still under internal review and subject to formal approval, which may result in modifications or additions. NXP Semiconductors does not give any representations or warranties as to the accuracy or completeness of information included herein and shall have no liability for the consequences of use of such information.

Short data sheet — A short data sheet is an extract from a full data sheet with the same product type number(s) and title. A short data sheet is intended for quick reference only and should not be relied upon to contain detailed and full information. For detailed and full information see the relevant full data sheet, which is available on request via the local NXP Semiconductors sales office. In case of any inconsistency or conflict with the short data sheet, the full data sheet shall prevail.

Product specification — The information and data provided in a Product data sheet shall define the specification of the product as agreed between NXP Semiconductors and its customer, unless NXP Semiconductors and customer have explicitly agreed otherwise in writing. In no event however, shall an agreement be valid in which the NXP Semiconductors product is deemed to offer functions and qualities beyond those described in the Product data sheet.

24.3 Disclaimers

Limited warranty and liability — Information in this document is believed to be accurate and reliable. However, NXP Semiconductors does not give any representations or warranties, expressed or implied, as to the accuracy or completeness of such information and shall have no liability for the consequences of use of such information. NXP Semiconductors takes no responsibility for the content in this document if provided by an information source outside of NXP Semiconductors. In no event shall NXP Semiconductors be liable for any indirect, incidental, punitive, special or consequential damages (including - without limitation - lost profits, lost savings, business interruption, costs related to the removal or replacement of any products or rework charges) whether or not such damages are based on tort (including negligence), warranty, breach of contract or any other legal theory. Notwithstanding any damages that customer might incur for any reason whatsoever, NXP Semiconductors' aggregate and cumulative liability towards customer for the products described herein shall be limited in accordance with the Terms and conditions of commercial sale of NXP Semiconductors.

Right to make changes — NXP Semiconductors reserves the right to make changes to information published in this document, including without limitation specifications and product descriptions, at any time and without notice. This document supersedes and replaces all information supplied prior to the publication hereof.

Suitability for use — NXP Semiconductors products are not designed, authorized or warranted to be suitable for use in life support, life-critical or safety-critical systems or equipment, nor in applications where failure or malfunction of an NXP Semiconductors product can reasonably be expected to result in personal injury, death or severe property or environmental damage. NXP Semiconductors and its suppliers accept no liability for inclusion and/or use of NXP Semiconductors products in such equipment or applications and therefore such inclusion and/or use is at the customer's own risk.

Applications — Applications that are described herein for any of these products are for illustrative purposes only. NXP Semiconductors makes no representation or warranty that such applications will be suitable for the specified use without further testing or modification. Customers are responsible for the design and operation of their applications and products using NXP Semiconductors products, and NXP Semiconductors accepts no liability for any assistance with applications or customer product design. It is customer's sole responsibility to determine whether the NXP Semiconductors product is suitable and fit for the customer's applications and products planned, as well as for the planned application and use of customer's third party customer(s). Customers should provide appropriate design and operating safeguards to minimize the risks associated with their applications and products. NXP Semiconductors does not accept any liability related to any default, damage, costs or problem which is based on any weakness or default in the customer's applications or products, or the application or use by customer's third party customer(s). Customer is responsible for doing all necessary testing for the customer's applications and products using NXP Semiconductors products in order to avoid a default of the applications and the products or of the application or use by customer's third party customer(s). NXP does not accept any liability in this respect.

Limiting values — Stress above one or more limiting values (as defined in the Absolute Maximum Ratings System of IEC 60134) will cause permanent damage to the device. Limiting values are stress ratings only and (proper) operation of the device at these or any other conditions above those given in the Recommended operating conditions section (if present) or the Characteristics sections of this document is not warranted. Constant or repeated exposure to limiting values will permanently and irreversibly affect the quality and reliability of the device.

Terms and conditions of commercial sale — NXP Semiconductors products are sold subject to the general terms and conditions of commercial sale, as published at <http://www.nxp.com/profile/terms>, unless otherwise agreed in a valid written individual agreement. In case an individual agreement is concluded only the terms and conditions of the respective agreement shall apply. NXP Semiconductors hereby expressly objects to applying the customer's general terms and conditions with regard to the purchase of NXP Semiconductors products by customer.

No offer to sell or license — Nothing in this document may be interpreted or construed as an offer to sell products that is open for acceptance or the grant, conveyance or implication of any license under any copyrights, patents or other industrial or intellectual property rights.

Quick reference data — The Quick reference data is an extract of the product data given in the Limiting values and Characteristics sections of this document, and as such is not complete, exhaustive or legally binding.

Export control — This document as well as the item(s) described herein may be subject to export control regulations. Export might require a prior authorization from competent authorities.

Non-automotive qualified products — Unless this data sheet expressly states that this specific NXP Semiconductors product is automotive qualified, the product is not suitable for automotive use. It is neither qualified nor tested in accordance with automotive testing or application requirements. NXP Semiconductors accepts no liability for inclusion and/or use of non-automotive qualified products in automotive equipment or applications. In the event that customer uses the product for design-in and use in automotive applications to automotive specifications and standards, customer (a) shall use the product without NXP Semiconductors' warranty of the product for such automotive applications, use and specifications, and (b) whenever customer uses the product for automotive applications beyond NXP Semiconductors' specifications such use shall be solely at customer's own risk, and (c) customer fully indemnifies NXP Semiconductors for any liability, damages or failed product claims resulting from customer design and use of the product for automotive applications beyond NXP Semiconductors' standard warranty and NXP Semiconductors' product specifications.

Translations — A non-English (translated) version of a document is for reference only. The English version shall prevail in case of any discrepancy between the translated and English versions.

24.4 Licenses

Purchase of NXP ICs with ISO/IEC 14443 type B functionality



**RATP/Innovatron
Technology**

This NXP Semiconductors IC is ISO/IEC 14443 Type B software enabled and is licensed under Innovatron's Contactless Card patents license for ISO/IEC 14443 B.

The license includes the right to use the IC in systems and/or end-user equipment.

Purchase of NXP ICs with NFC technology

Purchase of an NXP Semiconductors IC that complies with one of the Near Field Communication (NFC) standards ISO/IEC 18092 and ISO/IEC 21481 does not convey an implied license under any patent right infringed by implementation of any of those standards. Purchase of NXP Semiconductors IC does not include a license to any NXP patent (or other IP right) covering combinations of those products with other products, whether hardware or software.

24.5 Trademarks

Notice: All referenced brands, product names, service names and trademarks are the property of their respective owners.

ICODE and I-CODE — are trademarks of NXP B.V.

MIFARE Classic — is a trademark of NXP B.V.

Tables

Tab. 1.	Quick reference data	5	Tab. 50.	ANALOG TEST SIGNALS	47
Tab. 2.	Ordering information	8	Tab. 51.	EEPROM Addresses	48
Tab. 3.	Marking codes HVQFN40	9	Tab. 52.	Debug Signal Group Selection	57
Tab. 4.	Pin description HVQFN40	12	Tab. 53.	Clock Signal Group	57
Tab. 5.	1-Byte Direct Commands and Direct Command Codes	22	Tab. 54.	Transmitter Encoder Group	58
Tab. 6.	WRITE_REGISTER	23	Tab. 55.	Timer Group	58
Tab. 7.	WRITE_REGISTER	24	Tab. 56.	Card mode Protocol Group	58
Tab. 8.	WRITE_REGISTER_AND_MAKSK	24	Tab. 57.	Transceive Group	59
Tab. 9.	WRITE_REGISTER_MULTIPLE	24	Tab. 58.	Receiver Data Transfer Group	59
Tab. 10.	READ_REGISTER	26	Tab. 59.	Receiver Error Group	59
Tab. 11.	READ_REGISTER_MULTIPLE	26	Tab. 60.	Debug Signal Output Pin Configuration	60
Tab. 12.	WRITE_EEPROM	27	Tab. 61.	Communication overview for ISO/IEC 14443 type A and read/write mode for MIFARE Classic	61
Tab. 13.	READ_EEPROM	27	Tab. 62.	Communication overview for ISO/IEC 14443 B reader/writer	62
Tab. 14.	WRITE_DATA	28	Tab. 63.	Communication for FeliCa reader/writer	63
Tab. 15.	SEND_DATA	28	Tab. 64.	Communication for ISO/IEC 15693 reader/writer "reader to card"	65
Tab. 16.	Coding of 'valid bits in last byte'	29	Tab. 65.	Communication for ISO/IEC 15693 reader/writer "card to reader"	65
Tab. 17.	READ_DATA	29	Tab. 66.	Communication overview for active communication mode	67
Tab. 18.	SWITCH_MODE	29	Tab. 67.	Communication overview for passive communication mode	68
Tab. 19.	Standby configuration	30	Tab. 68.	Settings for TX1 and TX2	70
Tab. 20.	Standby wake-up counter configuration	30	Tab. 69.	Modulation degree configuration	71
Tab. 21.	LPCD wake-up counter configuration	31	Tab. 70.	Wave shaping lookup table	76
Tab. 22.	Autocoll wake-up counter configuration	31	Tab. 71.	Table 71.	81
Tab. 23.	Autocoll parameter	31	Tab. 72.	Low-Power Card Detection: EEPROM configuration	85
Tab. 24.	Autocoll bit mask indicating the RF technologies	31	Tab. 73.	Register address overview	87
Tab. 25.	MIFARE_AUTHENTICATE	32	Tab. 74.	SYSTEM_CONFIG register (address 0000h) bit description	88
Tab. 26.	Authentication status return value	32	Tab. 75.	IRQ_ENABLE register (address 0001h) bit description	89
Tab. 27.	EPC_INVENTORY_PARAMETERS	33	Tab. 76.	IRQ_STATUS register (address 0002h) bit description	90
Tab. 28.	EPC_RESUME_INVENTORY_PARAMETERS	35	Tab. 77.	IRQ_CLEAR register (address 0003h) bit description	90
Tab. 29.	EPC_RETRIEVE_INVENTORY_RESULT_SIZE_PARAMETERS	36	Tab. 78.	TRANSCIVE_CONTROL register (address 0004h) bit description	91
Tab. 30.	EPC_RETRIEVE_INVENTORY_RESULT_PARAMETERS	36	Tab. 79.	PINCONFIG register (address 0005h) bit description	92
Tab. 31.	LOAD_RF_CONFIG_PARAMETERS	37	Tab. 80.	PIN_OUT register (address 0007h) bit description	92
Tab. 32.	LOAD_RF_CONFIG: Selection of protocol register settings	39	Tab. 81.	TIMER0_STATUS register (address 0008h) bit description	93
Tab. 33.	UPDATE_RF_CONFIG_PARAMETERS	40	Tab. 82.	TIMER1_STATUS register (address 0009h) bit description	93
Tab. 34.	RETRIEVE_RF_CONFIG_SIZE_PARAMETERS	40	Tab. 83.	TIMER2_STATUS register (address 000Ah) bit description	93
Tab. 35.	RETRIEVE_RF_CONFIG_PARAMETERS	41	Tab. 84.	TIMER0_RELOAD register (address 000Bh) bit description	93
Tab. 36.	RFU	41	Tab. 85.	TIMER1_RELOAD register (address 000Ch) bit description	93
Tab. 37.	RF_ON	41			
Tab. 38.	RF_OFF	42			
Tab. 39.	CONFIGURE_TESTBUS_DIGITAL	42			
Tab. 40.	TB_POS	43			
Tab. 41.	Debug Signal Group Selection	43			
Tab. 42.	Clock Signal Group	44			
Tab. 43.	Transmitter Encoder Group	44			
Tab. 44.	Timer Group	44			
Tab. 45.	Card mode Protocol Group	45			
Tab. 46.	Transceive Group	45			
Tab. 47.	Receiver Data Transfer Group	45			
Tab. 48.	Receiver Error Group	46			
Tab. 49.	CONFIGURE_TESTBUS_ANALOG	46			

Tab. 86.	TIMER2_RELOAD register (address 000Dh) bit description	94	Tab. 115.	TX_CONTROL register (address 0036h) bit description	112
Tab. 87.	TIMER0_CONFIG register (address 000Eh) bit description	94	Tab. 116.	SIGPRO_RM_CONFIG_EXTENSION register (address 0039h) bit description	112
Tab. 88.	TIMER1_CONFIG register (address 000Fh) bit description	95	Tab. 117.	Secure Firmware Download Commands	117
Tab. 89.	TIMER2_CONFIG register (address 0010h) bit description	96	Tab. 118.	Secure Firmware Command Status Return Codes	118
Tab. 90.	RX_WAIT_CONFIG (address 0011h) bit description	98	Tab. 119.	Secure Firmware update: GetVersion command response	118
Tab. 91.	CRC_RX_CONFIG (address 0012h) bit description	98	Tab. 120.	Secure Firmware update: First Secure Write Command response	119
Tab. 92.	RX_STATUS register (address 0013h) bit description	99	Tab. 121.	Limiting Values	120
Tab. 93.	TX_UNDERSHOOT_CONFIG register (address 0014h) bit description	100	Tab. 122.	Recommended Operating Conditions	121
Tab. 94.	TX_OVERSHOOT_CONFIG register (address 0015h) bit description	100	Tab. 123.	Thermal characteristics HVQFN40 package	122
Tab. 95.	TX_DATA_MOD register (address 0016h) bit description	101	Tab. 124.	Thermal characteristics TFBGA64 package	122
Tab. 96.	TX_WAIT_CONFIG register (address 0017h) bit description	101	Tab. 125.	Junction Temperature	122
Tab. 97.	TX_CONFIG register (address 0018h) bit description	102	Tab. 126.	Current consumption	123
Tab. 98.	CRC_TX_CONFIG (address 0019h) bit description	102	Tab. 127.	Reset pin RESET_N	123
Tab. 99.	SIGPRO_CONFIG register (address 001Ah) bit description	103	Tab. 128.	Input Pin AUX2 /DWL_REQ	123
Tab. 100.	SIGPRO_CM_CONFIG register (address 001Bh) bit description	103	Tab. 129.	GPO pin characteristics	124
Tab. 101.	SIGPRO_RM_CONFIG register (address 001Ch) bit description	104	Tab. 130.	CLK1, CLK2 pin characteristics	124
Tab. 102.	RF_STATUS register (address 001Dh) bit description	105	Tab. 131.	Output pin characteristics IRQ	124
Tab. 103.	AGC_CONFIG register (address 001Eh) bit description	106	Tab. 132.	Input pins SCLK, MOSI, NSS	124
Tab. 104.	AGC_VALUE register (address 001Fh) bit description	107	Tab. 133.	Output pin MISO	125
Tab. 105.	RF_CONTROL_TX register (address 0020h) bit description	107	Tab. 134.	Timing conditions SPI	125
Tab. 106.	RF_CONTROL_TX_CLK register (address 0021h) bit description	108	Tab. 135.	Output pins ANT1 and ANT2	125
Tab. 107.	RF_CONTROL_RX register (address 0022h) bit description	109	Tab. 136.	Input pins RXp and RXn	125
Tab. 108.	RF_LEVEL_DETECTOR_CONTROL register (address 0023h) bit description	109	Tab. 137.	Output pins TX1 and TX2	125
Tab. 109.	SYSTEM_STATUS register (address 0024h) bit description	109	Tab. 138.	Start-up time	126
Tab. 110.	TEMP_CONTROL register (address 0025h) bit description	110	Tab. 139.	Crystal requirements for ISO/IEC14443 compliant operation	126
Tab. 111.	CECK_CARD_RESULT register (address 0026h) bit description	110	Tab. 140.	Reference input frequency requirements for 8 MHz, 12 MHz, 16 MHz and 24 MHz	126
Tab. 112.	DPC_CONFIG register (address 0027h) bit description	110	Tab. 141.	Table 140.	127
Tab. 113.	EMD_CONTROL register (address 0028h) bit description	110	Tab. 142.	Timer delay for STOP_ON_RX_STARTED configuration	134
Tab. 114.	ANT_CONTROL register (address 0029h) bit description	111	Tab. 143.	ISO/IEC 14443 A-106	135
			Tab. 144.	ISO/IEC 14443 A-212	135
			Tab. 145.	ISO/IEC 14443 A-424	135
			Tab. 146.	ISO/IEC 14443 A-848	135
			Tab. 147.	ISO/IEC 14443 B-106	136
			Tab. 148.	ISO/IEC 14443 B-212	136
			Tab. 149.	ISO/IEC 14443 B-424	136
			Tab. 150.	ISO/IEC 14443 B-848	137
			Tab. 151.	Felica-212	137
			Tab. 152.	Felica-424	137
			Tab. 153.	NFC active initiator A-106	137
			Tab. 154.	NFC active initiator A-212	138
			Tab. 155.	NFC active initiator A-424	138
			Tab. 156.	ISO/IEC15693-26	138
			Tab. 157.	ISO/IEC15693-53	139
			Tab. 158.	ISO/IEC18003M3 - TARI=18.88us	139
			Tab. 159.	ISO/IEC18003M3 - TARI=9.44 μs	139
			Tab. 160.	PICC ISO/IEC14443-A 106	139
			Tab. 161.	PICC ISO/IEC14443-A 212	140
			Tab. 162.	PICC ISO/IEC14443-A 424	140
			Tab. 163.	PICC ISO/IEC14443-A 848	140
			Tab. 164.	NFC passive target 212	140
			Tab. 165.	NFC passive target 424	141

Tab. 166. NFC active target 106	141	Tab. 183. ISO/IEC 15693-26	145
Tab. 167. NFC active target 212	141	Tab. 184. ISO/IEC 15693-53	145
Tab. 168. NFC active target 424	141	Tab. 185. ISO 18003M3- Tari 18.88	146
Tab. 169. NFC general target mode - all data rates	142	Tab. 186. ISO 18003M3- Tari 9.44 848_2	146
Tab. 170. ISO/IEC 14443 A-106	142	Tab. 187. ISO18003M3- Tari 9.44 -848_4	146
Tab. 171. ISO/IEC 14443 A-212	142	Tab. 188. ISO 14443A-PICC 106	146
Tab. 172. ISO/IEC 14443 A-424	142	Tab. 189. ISO 14443A-PICC 212	147
Tab. 173. ISO/IEC 14443 A-848	143	Tab. 190. ISO 14443A-PICC 424	147
Tab. 174. ISO/IEC 14443 B-106	143	Tab. 191. ISO 14443A-PICC 848	147
Tab. 175. ISO/IEC 14443 B-212	143	Tab. 192. NFC-Passive target -212	147
Tab. 176. ISO/IEC 14443 B-424	143	Tab. 193. NFC-Passive target -424	147
Tab. 177. ISO/IEC 14443 B-848	144	Tab. 194. NFC-active target - 106	148
Tab. 178. Felica 212	144	Tab. 195. NFC-active target - 212	148
Tab. 179. FeliCa 424	144	Tab. 196. NFC-active target - 424	148
Tab. 180. NFC Active Initiator 106	144	Tab. 197. NFC-General target mode - all data rates	148
Tab. 181. NFC Active Initiator 212	145	Tab. 198. Abbreviations	149
Tab. 182. NFC Active Initiator 424	145	Tab. 199. Revision history	151

Figures

Fig. 1.	Marking PN5180 in HVQFN40	10	Fig. 29.	PN5180 Output driver	70
Fig. 2.	PN5180 Block diagram	11	Fig. 30.	Overshoot/Undershoot prevention	73
Fig. 3.	Pin configuration for HVQFN40 (SOT618-1) ...	12	Fig. 31.	AGC value defining the RF output power configuration	74
Fig. 4.	Power-up voltages	15	Fig. 32.	AGC value defining the waveshape configuration	74
Fig. 5.	Connection of crystal	17	Fig. 33.	Lookup tables for AGC value-dependent dynamic configuration	75
Fig. 6.	Read RX of SPI data using BUSY line	20	Fig. 34.	Transmitter supply voltage configuration, VDD(TVDD) > 3.5 V	75
Fig. 7.	Writing data to the PN5180	20	Fig. 35.	DPC, AGC and AWC configuration	77
Fig. 8.	Reading data from the PN5180	20	Fig. 36.	Transceive state machine	79
Fig. 9.	Connection to host with SPI	21	Fig. 37.	Autocall state machine	80
Fig. 10.	Instruction Payload	21	Fig. 38.	PN5180 Receiver Block diagram	82
Fig. 11.	Instruction Response	22	Fig. 39.	LPCD configuration	84
Fig. 12.	Write_Register_Multiple	25	Fig. 40.	Example SPI WRITE in Secure Firmware Download mode	114
Fig. 13.	WRITE_REGISTER_OR_MASK	25	Fig. 41.	Example SPI READ in Secure Firmware Download mode	114
Fig. 14.	WRITE_REGISTER_AND_MASK	26	Fig. 42.	Secure Firmware Download: SPI Write	114
Fig. 15.	EPC GEN2 Inventory command	34	Fig. 43.	Secure Firmware Download: SPI Read	115
Fig. 16.	Get Handle	35	Fig. 44.	Framing for Secure Firmware Download	116
Fig. 17.	Timeslot order EPC Gen2	35	Fig. 45.	Splitting commands by chunks	117
Fig. 18.	LoadRFConfig	38	Fig. 46.	Secure Firmware Download command and data structure	117
Fig. 19.	Read/write mode for ISO/IEC 14443 A and read/write mode for MIFARE Classic	61	Fig. 47.	Application diagram with minimum components (HVQFN40)	127
Fig. 20.	Data coding and framing according to ISO/IEC 14443 type A card response	62	Fig. 48.	Conditions for external 3.3V supply voltage ...	129
Fig. 21.	ISO/IEC 14443 type B read/write mode communication diagram	62	Fig. 49.	Package outline SOT618-1	132
Fig. 22.	FeliCa read/write communication diagram	63	Fig. 50.	Package outline SOT1336-1	133
Fig. 23.	RxMultiple data format	64			
Fig. 24.	EPC_GEN2 Card presence check	66			
Fig. 25.	EPC_GEN2 possible timeslot answers	66			
Fig. 26.	Active communication mode	67			
Fig. 27.	Passive communication mode	68			
Fig. 28.	Target Mode case: Timer stop for started reception	69			

Contents

1	Introduction	1	11.8.1.6	NFCIP-1 modes	67
2	General description	2	11.8.1.7	ISO/IEC 14443 type A Card operation mode ...	69
3	Features and benefits	3	11.8.1.8	NFC Configuration	69
4	Applications	4	11.8.1.9	Mode Detector	69
5	Quick reference data	5	11.8.2	RF-field handling	70
6	Versions	6	11.8.3	Transmitter TX	70
7	Ordering information	8	11.8.3.1	100 % Modulation	70
8	Marking	9	11.8.3.2	10 % Amplitude Modulation	71
8.1	Package marking drawing	10	11.8.3.3	TX Wait	72
9	Block diagram	11	11.8.3.4	Over- and Undershoot prevention	73
10	Pinning information	12	11.8.4	Dynamic Power Control (DPC)	73
10.1	Pin description	12	11.8.5	Adaptive Waveform Control (AWC)	75
11	Functional description	14	11.8.6	Adaptive Receiver Control (ARC)	77
11.1	Introduction	14	11.8.7	Transceive state machine	78
11.2	Power-up and Clock	14	11.8.8	Autocoll	79
11.2.1	Power Management Unit	14	11.8.9	Receiver RX	81
11.2.1.1	Supply Connections and Power-up	14	11.8.9.1	Reader Mode Receiver	81
11.2.1.2	Power-down	15	11.8.9.2	Automatic Gain Control	82
11.2.1.3	Standby	16	11.8.9.3	RX Wait	82
11.2.1.4	Temperature Sensor	16	11.8.9.4	EMD Error handling	83
11.2.2	Reset and start-up time	16	11.8.10	Low-Power Card Detection (LPCD)	83
11.2.3	Clock concept	17	11.8.10.1	Check Card register	86
11.3	Timer and Interrupt system	17	11.9	Register overview	87
11.3.1	General Purpose Timer	17	11.9.1	Register overview	87
11.3.2	Interrupt System	18	11.9.2	Register description	88
11.3.2.1	IRQ PIN	18	12	Secure Firmware Update	113
11.3.2.2	IRQ_STATUS Register	18	12.1	General functionality	113
11.4	SPI Host Interface	18	12.2	Physical Host Interface during Secure Firmware Download	113
11.4.1	Physical Host Interface	19	12.3	Download Protection	115
11.4.2	Timing Specification SPI	20	12.4	Commands	116
11.4.3	Logical Host Interface	21	12.4.1	Frame format	116
11.4.3.1	Host Interface Command	21	12.4.2	Command Code Overview	117
11.4.3.2	Transmission Buffer	22	12.4.3	Command Code Response	117
11.4.3.3	Host Interface Command List	22	12.4.4	Command Code Description	118
11.5	Memories	47	12.4.4.1	RESET	118
11.5.1	Overview	47	12.4.4.2	GET_VERSION	118
11.5.2	EEPROM	48	12.4.4.3	SECURE_WRITE	118
11.5.3	RAM	56	12.4.4.4	GET_DIE_ID	119
11.5.4	Register	56	12.4.5	Error handling	119
11.6	Debug Signals	56	13	Limiting values	120
11.6.1	General functionality	56	14	Recommended operating conditions	121
11.6.2	Digital Debug Configuration	57	15	Thermal characteristics	122
11.6.2.1	Debug signal groups	57	16	Characteristics	123
11.6.2.2	Digital Debug Output Pin Configuration	60	17	Application information	127
11.6.3	Analog Debug Configuration	60	17.1	Typical component values	127
11.7	AUX2 / DWL_REQ	60	17.2	Power supply of a microcontroller by the PN5180 / LDO_OUT	128
11.7.1	Firmware update	60	17.3	Zero Power Wakeup	129
11.7.2	Firmware update command set	61	17.4	Extended LPCD support	129
11.8	RF Functionality	61	18	Packaging information	131
11.8.1	Supported RF Protocols	61	19	Package outline	132
11.8.1.1	Communication mode for ISO/IEC14443 type A and for MIFARE Classic	61	20	Appendix	134
11.8.1.2	ISO/IEC14443 type B functionality	62	20.1	Timer Delay for start of reception measurement	134
11.8.1.3	FeliCa RF functionality	63			
11.8.1.4	ISO/IEC 15693 functionality	65			
11.8.1.5	ISO/IEC 18000-3 Mode 3 functionality	65			