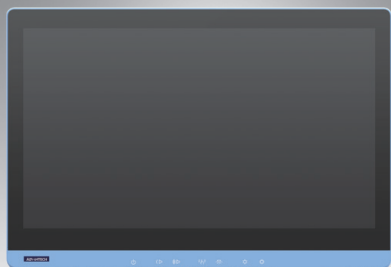


POC-621

21" Point-of-Care Terminal with 8th Generation Intel® Processor



DeviceOn/iService

Features

- 8th generation Intel® Core™ i5/i7 processor
- 21.5" full HD display with multi-touch P-CAP control
- Multiple I/O, including USB 3.2 Gen 2 (Type A), USB 3.2 Gen 2 (Type C) with display function, and HDMI
- PCIe x4, mini PCIe, M.2 expansion slots for integrating add-on modules
- Fanless design with IP54-rated protection for superior hygiene and infection control
- Equipped with Advantech's DeviceOn device management software
- Optional Wi-Fi, Bluetooth, RFID, smart card reader, Li-ion battery pack, and auto-focus 5 megapixel camera
- Optional hot-swapping battery module with up to 180Wh capacity for mobile applications
- Equipped with DeviceOn/iService software for remote device management



Introduction

POC-621 is equipped with an integrated NVME SSD that facilitates real-time data processing and storage. Compliant with IEC 60601-1 medical safety standards for electrical devices, POC-6 terminals are built for reliable operation in a wide range of healthcare environments. Moreover, POC-621 is equipped with Advantech's DeviceOn/iService software, which is a next-generation unified device management solution based on the WISE-DeviceOn platform. With support for batch operations and multi-device control, DeviceOn/iService enables easy device configuration and deployment for convenient remote device management.

Specifications

System	Processor*	Intel® Core™ i7-8665UE (8M cache, up to 4.40 GHz) Intel® Core™ i5-8365UE (6M cache, up to 4.10 GHz)
	Memory (default)	8GB DDR4 (supports up to 32GB DDR4 SODIMM)
	Operating System (optional)	Windows 10 IoT Ent (64 bits only), Linux (supported upon request)
Storage	Primary Storage (default)	NVME SSD 256GB (M.2 2280)
	Secondary Storage (optional)	2.5" SATA SSD available (choose either 2.5" SSD or backup battery)
Display	Size	21.5 inch
	Max. Resolution	1920 x 1080
Touch	Type	10-point multi touch P-CAP (clear glass); optional AG/AR support upon request
I/O	USB 3.2 Gen 2 (Type A)	2
	USB 3.2 Gen 2 (Type C)	1 (with display function)
	USB 2.0 Type A	4
	HDMI	1
	LAN isolation, 1.5KV	2
	Mic-In/ Headphone-Out	1/1
	COM (RS232) 1.5KV	2
Expansion Slots	PCIe x4**	1 (card length: 167.65 mm/6.6 in)
	M.2 2230	1 (for Wi-Fi/Bluetooth module)
	Mini PCIe	1 (full size)
Other Functions	Speaker	2 x 2W
	LED Book Light	2
	Camera	1 x 5 megapixel (optional)
	TPM 1.2/2.0	2.0 (default via software)
Power Input	DC/AC	DC model: 18V, max. 100W/AC model: 100 ~ 240V, max. 150W (choose either DC or AC model)
IP Rating	Front Panel	IP65
	System	IP54
Authentication Solution (Choose 1)	RFID Reader	Optional (choose either RFID or smart card reader)
	Smart Card Reader	Optional (choose either RFID or smart card reader)
Battery Solutions (Choose 1)	Backup Battery**	Optional (choose either 1 backup battery or PCIe x4)
	Hot-Swapping Battery Module	Optional with 2 x batteries (choose either backup battery or battery module)
Certification	EMC & Safety	Medical CE, FCC (IEC 60601-1-2, 4th edition) EN 60601-1 Compliance UL 60601-1
Physical Characteristics	Dimensions (W x H x D)	524 x 357 x 62 mm/20.63 x 14.06 x 2.44 in
	VESA Mount	100 x 100; 75 x 75
	Weight	6.29 kg/13.86 lb
Environment	Operating Temperature	0 ~ 35 °C/32 ~ 95 °F
	Storage Temperature	0 ~ 50 °C/32 ~ 122 °F
Warranty	System	3 years
	Battery Pack	1 year or capacity 70% and 300 cycles (whichever happens first)

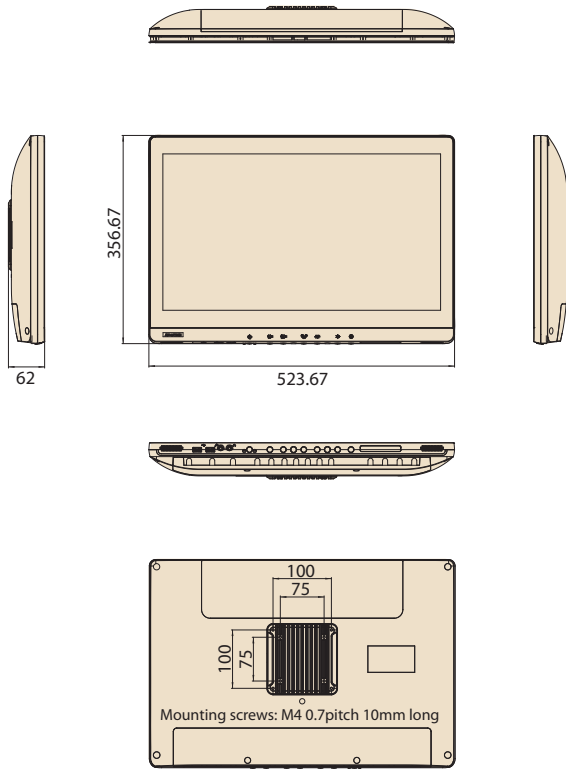
*Intel® Celeron® processor available upon request.

**Either PCIe x4 or backup battery can be chosen.

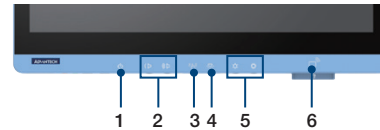
***If backup battery is chosen, neither a 2.5" SSD nor battery module can be installed.

Dimensions

Unit: mm

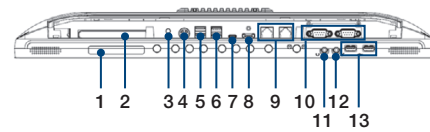


Front Function Keys



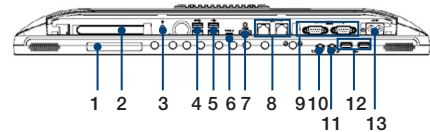
- 1. Power button
- 2. Volume down/up
- 3. Touchscreen status control
- 4. Read light control
- 5. Brightness down/up
- 6. RFID or smart card reader slot

I/O Ports (DC Model)



- 1. RFID or smart card reader slot
- 2. PCIe x4 slot
- 3. Equipotential terminal pin
- 4. DC-in
- 5. 2 x USB 3.2 (Type A)
- 6. 2 x USB 2.0
- 7. 1 x USB 3.2 (Type C)
- 8. HDMI
- 9. 2 x Gigabit Ethernet
- 10. 2 x COM (RS-232)
- 11. Headphone-out
- 12. Mic-in
- 13. 2 x USB 2.0

I/O Ports (AC Model)



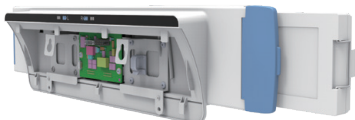
- 1. RFID or smart card reader slot
- 2. PCIe x4 slot
- 3. Equipotential terminal pin
- 4. 2 x USB 3.2
- 5. 2 x USB 2.0
- 6. 1 x USB 3.2
- 7. HDMI
- 8. 2 x Gigabit Ethernet
- 9. 2 x COM (RS-232)
- 10. Headphone-out
- 11. Mic-in
- 12. 2 x USB 2.0
- 13. AC-in

Ordering Information

Part Number (DC Model)	Part Number (AC Model)	PN Description	CPU	DRAM	Touch	SSD	RFID
POC-621-11A11D-CA	POC-621-01A11D-CA	Intel® Core i7, 8GB memory, 256GB SSD, IP54, 2 x COM 1.5KV, and clear glass with P-CAP touch	i7	8GB	P-CAP	256GB	
POC-621-11A11R-CA	POC-621-01A11R-CA	Intel® Core i7, 8GB memory, 256GB SSD, IP54, 2 x COM 1.5KV, RFID reader, and clear glass with P-CAP touch	i7	8GB	P-CAP	256GB	Yes
POC-621-11B11D-CA	POC-621-01B11D-CA	Intel® Core i5, 8GB memory, 256GB SSD, IP54, 2 x COM 1.5KV, and clear glass with P-CAP touch	i5	8GB	P-CAP	256GB	
POC-621-11B11R-CA	POC-621-01B11R-CA	Intel® Core i5, 8GB memory, 256GB SSD, IP54, 2 x COM 1.5KV, RFID reader, and clear glass with P-CAP touch	i5	8GB	P-CAP	256GB	Yes

Accessories

Hot-Swapping Battery Module



LED Indicator



Battery module contains 2 x battery packs



Backup Battery (Internal)



Charging Station



Battery Packs



Battery Module

Part Number	Description
POC-BAT-101-6A*	Backup battery (internal)
POC-BAT-201-62*	Hot-swapping battery module for POC-621/624
POC-IPSM90B2	Battery pack (2 x pcs) of POC power system
POC-IPSM90CS3	Charging station (3 x slots) of POC power system

*Choose either a backup battery or hot-swapping battery module.

Power Cord

Region	Part Number (DC Model)
USA (Thailand, Philippines)	1702002600
Europe (Indonesia)	1702002605
Europe	1700022936-01 (Length: 3-meter)
UK (Singapore, Malaysia)	1700018704
Japan (PSE)	1700000237


Battery Pack Specification

Battery Pack Type	Lithium-ion battery
Battery Pack Capacity	90Wh
Total Capacity	180W (2 x batteries, 90W per battery)
Battery Runtime	6 ~ 8 hours
Battery Lifespan	300 cycle time \geq 70%
Capacity Indicator	LED indicator with button
Weight	540g/1.2lb

*Backup battery is 1 piece.

*Hot swap batteries are 2 pieces.

Recommended Mounting Solution

Model Name	ARES-2423R
Part Number	ARES-2423R-A741L00
Photo	
Max. Support Weight	6 - 12kg
Max. Support Panel Size	\leq 27"
VESA Information	75 x 75 mm 100x100 mm

For more information, please click this link: <https://bit.ly/3T7dLMR>

CTOS Service

Ordering Information (Barebone Units)

Part Number (DC Model)	Part Number (AC Model)	Description	CPU	RAM	Touch	SSD
POC-621-11A110-CA	POC-621-01A110-CA	Intel® Core i7, IP54, 2 x COM 1.5KV, and clear glass with P-CAP touch (without memory and SSD)	i7	NA	P-CAP	NA
POC-621-11B110-CA	POC-621-01B110-CA	Intel® Core i5, IP54, 2 x COM 1.5KV, and clear glass with P-CAP touch (without memory and SSD)	i5	NA	P-CAP	NA

Component Offerings

Memory

Part Number	Description
SQR-SD4N4G2K6SNEFB	260-pin SODIMM DDR4 2666 4GB
SQR-SD4N8G2K6SNBCB	260-pin SODIMM DDR4 2666 8GB
SQR-SD4N16G2K6SNCB	260-pin SODIMM DDR4 2666 16GB
SQR-SD4M4G2K4SNEEB	260-pin SODIMM DDR4 2400 4GB
SQR-SD4M8G2K4SNEEB	260-pin SODIMM DDR4 2400 8GB
SQR-SD4M16G2K4SNBB	260-pin SODIMM DDR4 2400 16GB
AQD-SD4U4GN24-SG	260-pin SODIMM DDR4 2400 4GB
AQD-SD4U8GN24-SE	260-pin SODIMM DDR4 2400 8GB
AQD-SD4U16N24-SE	260-pin SODIMM DDR4 2400 16GB

Wi-Fi + BT Module

Part Number	Description
EWM-W192M201E	Intel® Dual Band Wireless-AC 9260
EWM-W192M202E	
968AD00078	Intel® Dual Band Wireless-AC 8265

NVME SSD Storage

Part Number	Description
SQF-CM8V2-128G-E8C	SQF M.2 2280 710 128GB 3D NAND
SQF-CM8V4-256G-E8C	SQF M.2 2280 710 256GB 3D NAND
SQF-CM8V4-512G-E8C	SQF M.2 2280 710 512GB 3D NAND

Power Cord

Region	Part Number (DC Model)	Part Number (AC Model)
USA (Thailand, Philippines)	1702002600	1700001524
Europe (Indonesia)	1702002605	170203183C
UK (Singapore, Malaysia)	1700018704	170203180A
Japan (PSE)	1700000237	1700008921

DeviceOn/iService

Unified Remote Device Management Software



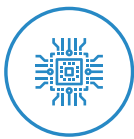
Features

- Supports Advantech devices equipped with Windows, Android, and Linux OS
- Flexible device, location, user, and permissions management
- Enables remote monitoring and control of hardware, software, and peripherals
- Supports over-the-air (OTA) firmware and software updates
- Ensures quick, easy, and secure device onboarding
- RESTful APIs for third-party system integration

Introduction

Advantech's DeviceOn/iService is a next-generation unified device management solution based on the WISE-DeviceOn platform. Designed to enable centralized monitoring and remote management, DeviceOn/iService supports Advantech devices equipped with Windows, Linux, or Android operating systems. The software also supports the management of applications and integrated peripherals, such as a barcode scanner, card reader, camera, and printer. Users can remotely access and control connected devices, take screenshots, rollout OTA upgrades, and use remote desktop capabilities for troubleshooting from any location at any time. Moreover, DeviceOn/iService supports batch operations to facilitate the management of multiple devices simultaneously for easy and convenient device configuration and deployment.

Total Management



Devices & Hardware

- Windows, Linux, Android
- Hardware, storage, battery



Software & Peripherals

- Software monitoring & access
- Screens, USB devices, printers



Open for Expansion

- Peripheral integration
- Open APIs for integration

Remote Access



Real-Time Monitoring

- Connection/hardware status
- Software/peripheral status
- Failure notifications



Remote Controls

- Power controls
- Audio, backlight controls
- Software controls



Troubleshooting

- Screenshots
- Remote desktop support

Operational Efficiency



OTA updates

- System/software updates
- File repository management
- App store



Batch Controls

- 1-to-many batch reboot, etc.
- Time-saving tasks



Setup Booster

- Software/peripheral watchlist
- Roles, rule templates

Note: Some functions may vary according to the product

System Architecture

