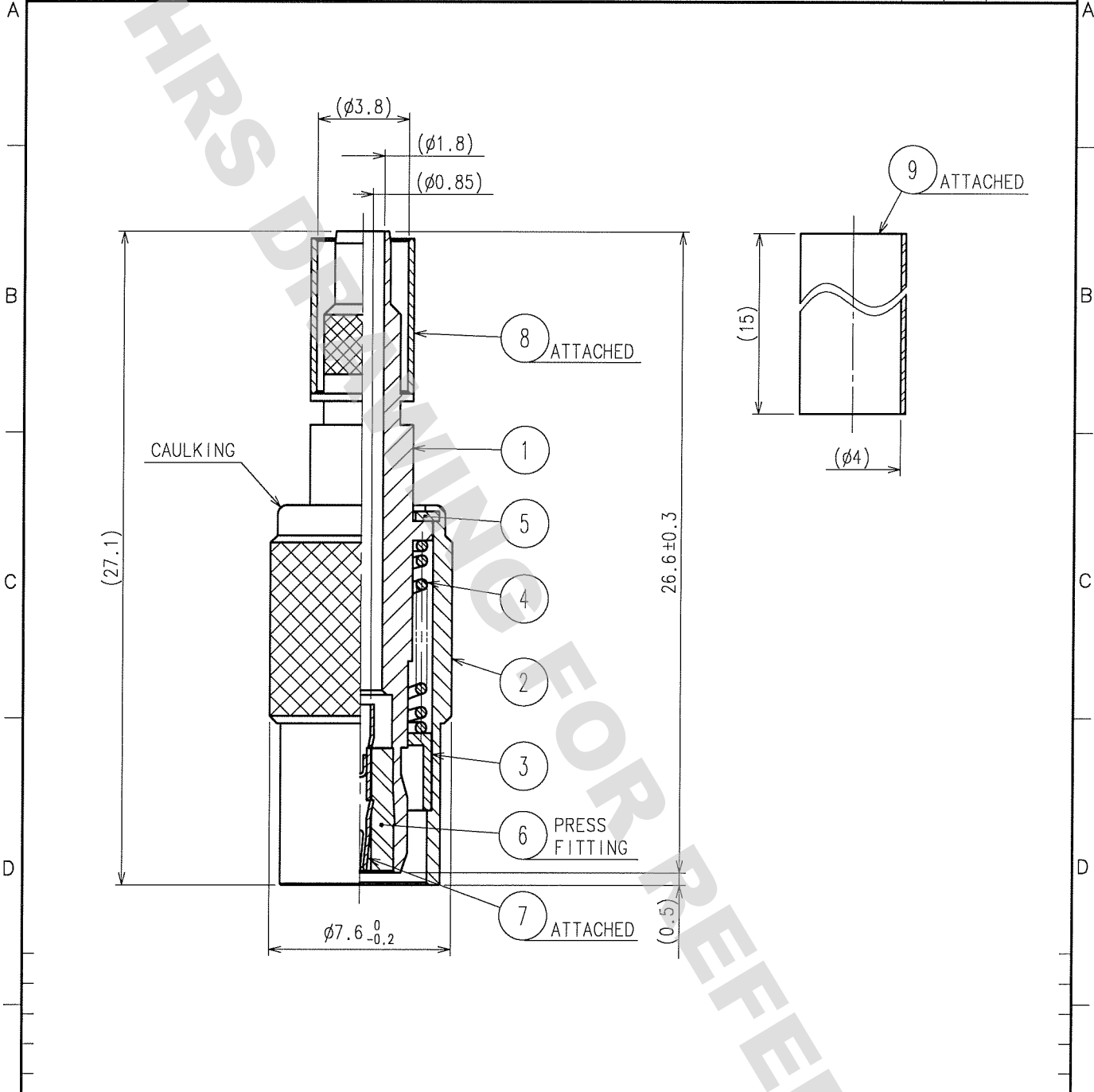


1		2			3			4		
COUNT	DESCRIPTION OF REVISIONS	BY	CHKD	DATE	COUNT	DESCRIPTION OF REVISIONS	BY	CHKD	DATE	
△				. . .	△				. . .	
△				. . .	△				. . .	
△				. . .	△				. . .	



5	STAINLESS STEEL		9	POLYOLEFIN	(BLACK, HEAT SHRINK TUBING)
4	STEEL	NICKEL PLATING	8	COPPER	NICKEL PLATING
3	BRASS	NICKEL PLATING	7	BERYLLIUM COPPER	GOLD PLATING
2	BRASS	NICKEL PLATING	6	PTFE	
1	BRASS	NICKEL PLATING			
NO.	MATERIAL	FINISH, REMARKS	NO.	MATERIAL	FINISH, REMARKS

CODE NO. (OLD)		DRAWN	DESIGNED	CHECKED	APPROVED	RELEASED
RoHS COMPLIANT		<i>Y. Sugiyama</i>	<i>K. Maki</i>	<i>K. Shimizu</i>	<i>S. Mitani</i>	
		'06.01.07	'06.01.11	'06.01.11	'06.01.11	
DRAWING NO. EDC4-048279-40			PART NO. POD1-J-1.5V-C(40)			
SCALE 4 : 1			CODE NO. CL327-0127-5-40			1/1
UNITS mm			HRS HIROSE ELECTRIC CO., LTD.			

DRAWING FOR REFERENCE: This is subject to change without notice
08/11/2012

TO
RF