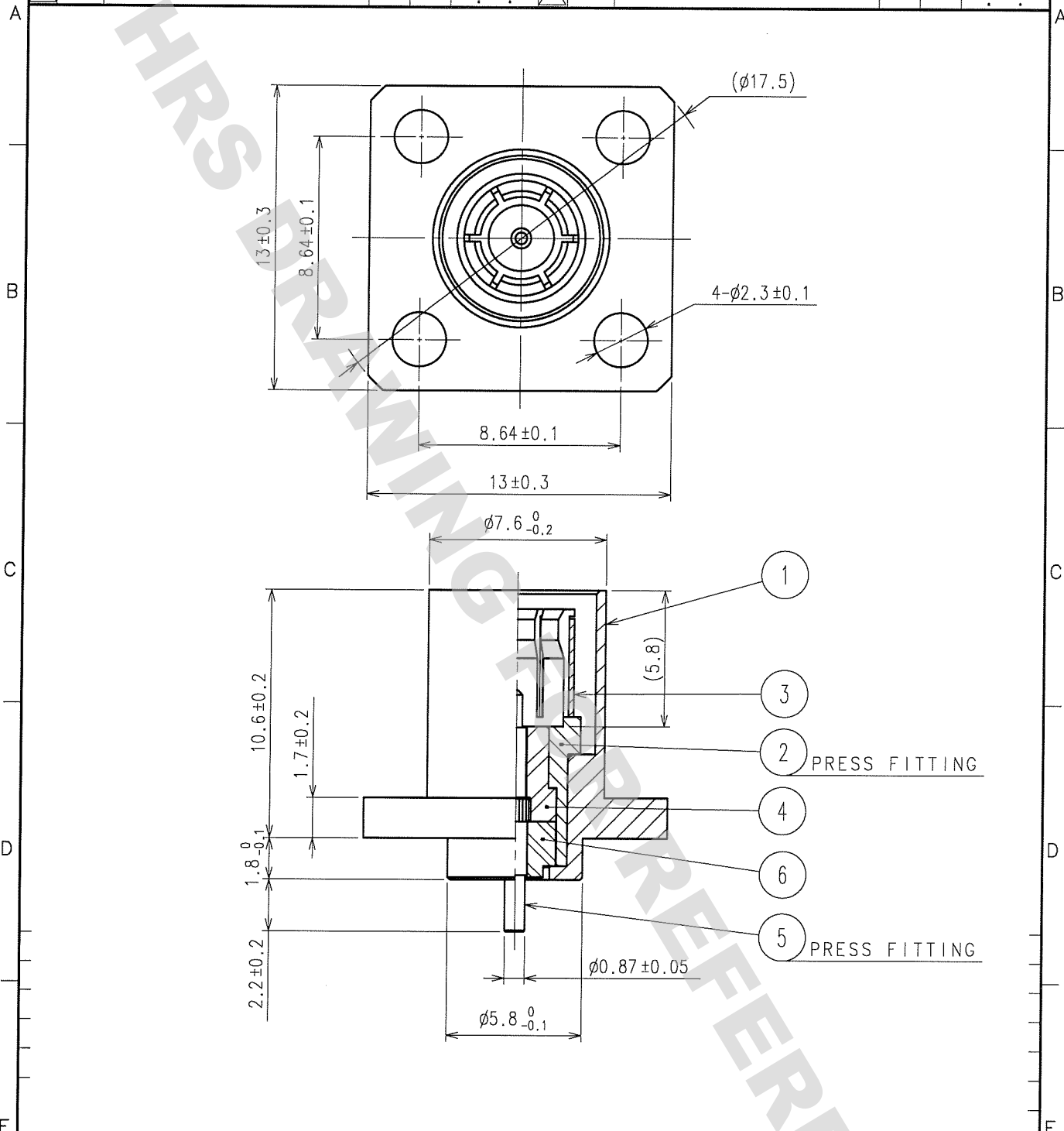


DRAWING FOR REFERENCE: This is subject to change without notice
08/11/2012

1		2			3			4		
COUNT	DESCRIPTION OF REVISIONS	BY	CHKD	DATE	COUNT	DESCRIPTION OF REVISIONS	BY	CHKD	DATE	
△					△					
△					△					
△					△					



3	BERYLLIUM COPPER	NICKEL PLATING	6	PTFE	
2	BRASS	NICKEL PLATING	5	BRASS	GOLD PLATING
1	BRASS	NICKEL PLATING	4	PTFE	
NO.	MATERIAL	FINISH, REMARKS	NO.	MATERIAL	FINISH, REMARKS

CODE NO. (OLD)	DRAWN	DESIGNED	CHECKED	APPROVED	RELEASED
RoHS COMPLIANT	<i>y. Sugiyama</i>	<i>Maki</i>	<i>H. Shimizu</i>	<i>I. Mitani</i>	
	'06.01.11	'06.01.11	'06.01.11	'06.01.11	

 SCALE 4 : 1 UNITS mm	DRAWING NO. EDC4-048313-40 HRS HIROSE ELECTRIC CO., LTD.	PART NO. POD1-PR-4(40) CODE NO. CL327-0123-4-40	1/1
-----------------------------------	--	--	-----

TO
RF