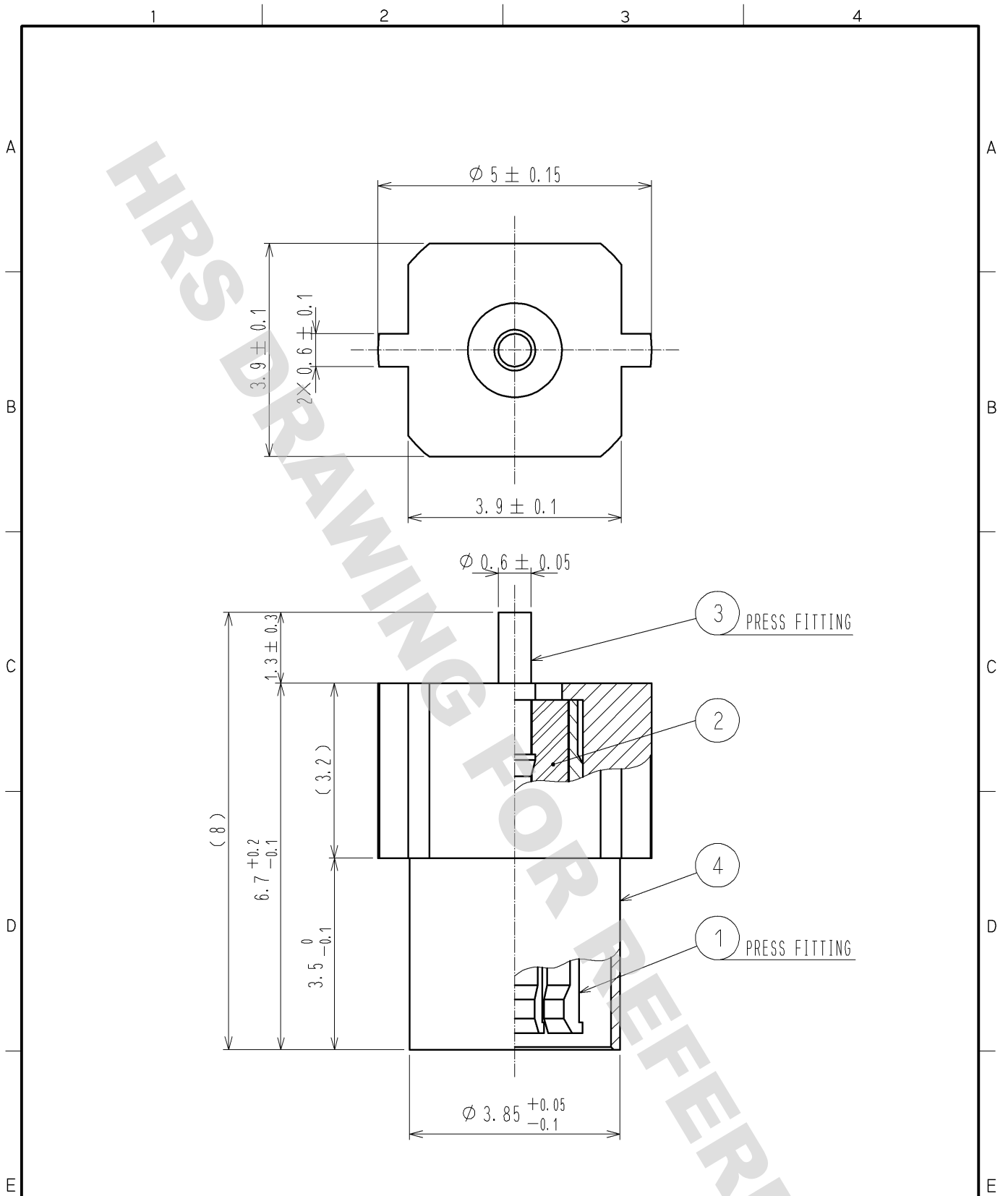


DRAWING FOR REFERENCE: This is subject to change without notice
08/11/2012



RoHS COMPLIANT

2	PTFE		4	BRASS	GOLD PLATING			
1	PHOSPHOR BRONZE	GOLD PLATING	3	PHOSPHOR BRONZE	GOLD PLATING			
NO.	MATERIAL	FINISH .	REMARKS	NO.	MATERIAL	FINISH .	REMARKS	
UNITS mm		SCALE 10 : 1	COUNT 	DESCRIPTION OF REVISIONS		DESIGNED	CHECKED	DATE
HIROSE ELECTRIC CO., LTD.		APPROVED : MH. YAMANE	11. 02. 16	DRAWING NO.		EDC4-130536-40		
		CHECKED : NK. NINOMIYA	11. 02. 16	PART NO.		POD3-PR-1(40)		
		DESIGNED : YI. FUNADA	11. 02. 14	CODE NO.		CL327-0153-5-40		
		DRAWN : YI. FUNADA	11. 02. 14			1/1		