

PART NAME

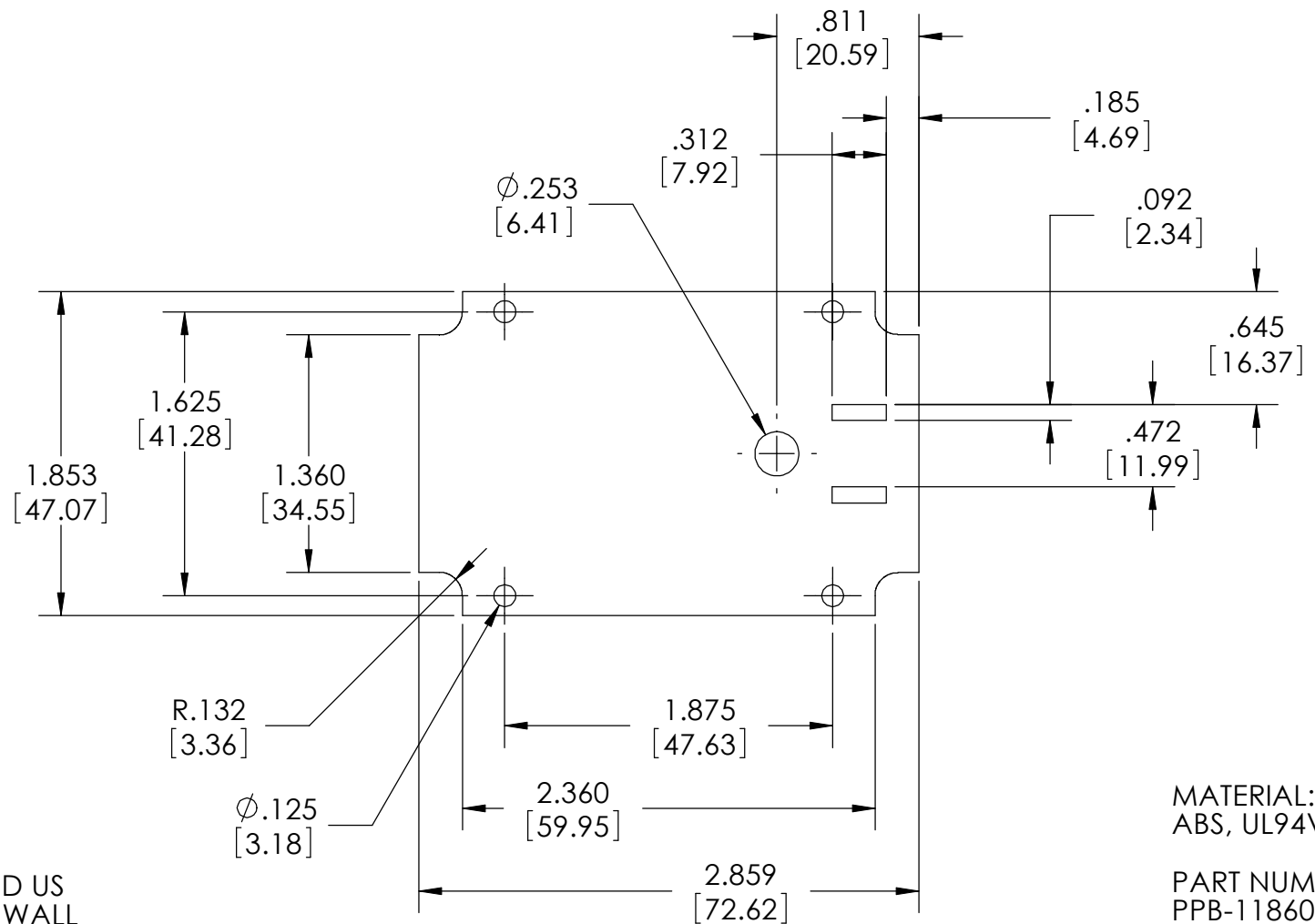
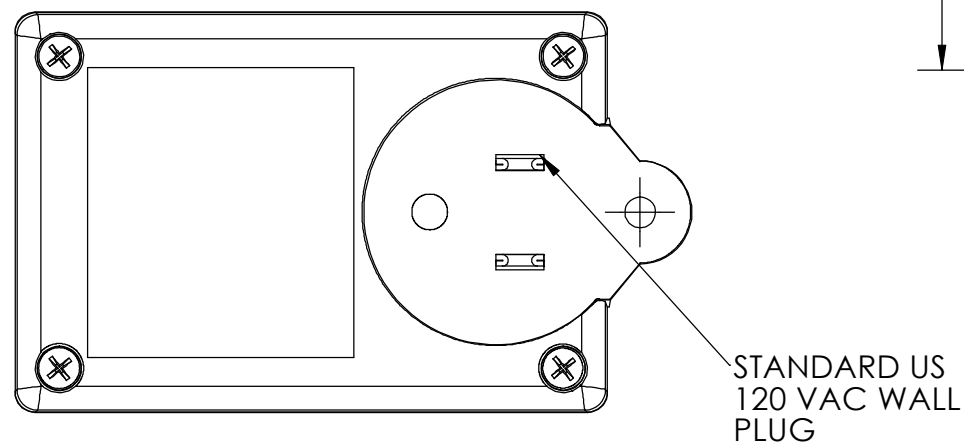
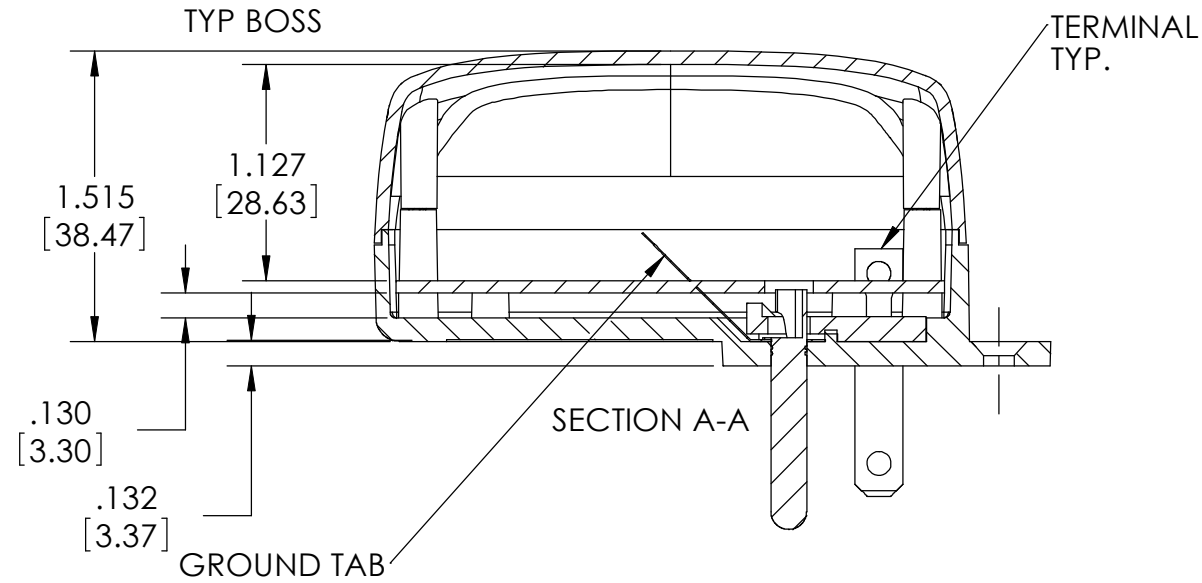
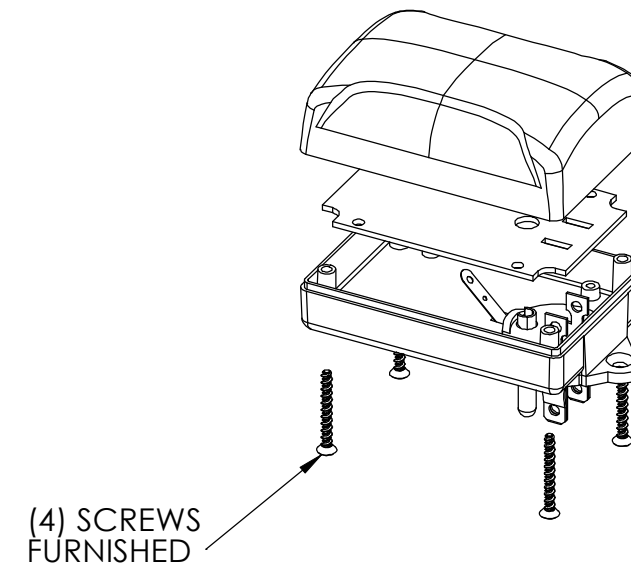
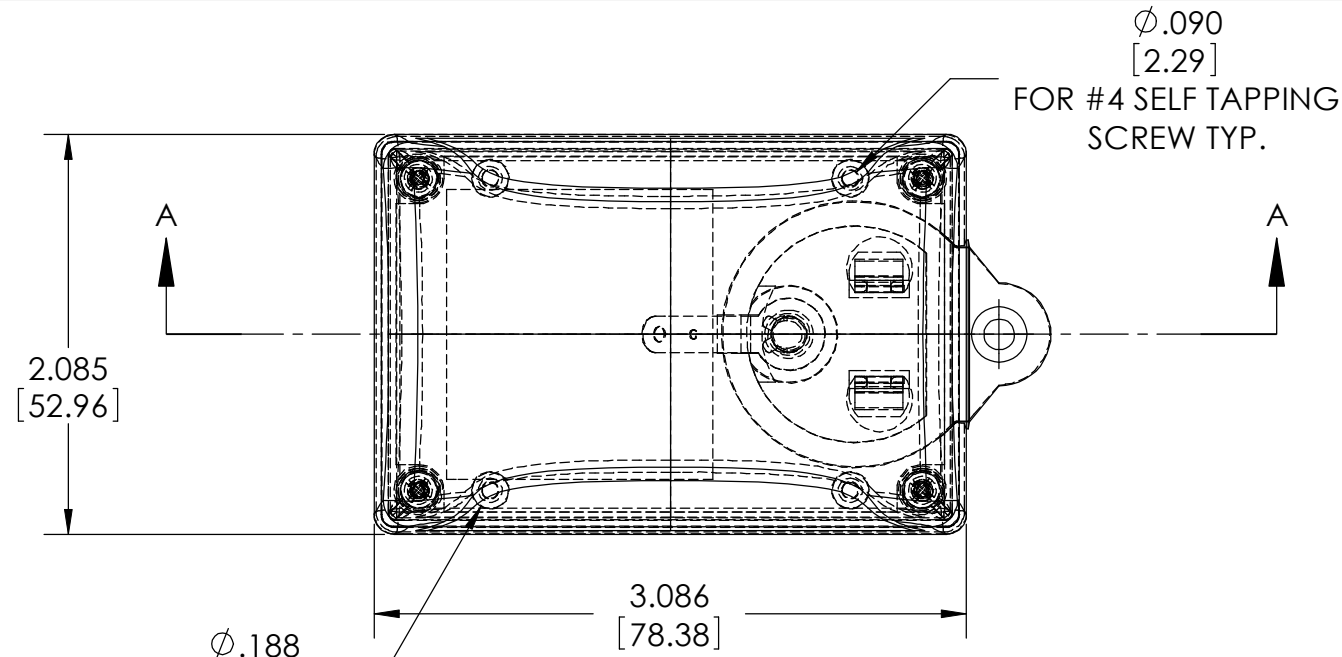
# POWER PLUG BOX

PART No.

PPB - 11860 (SEE NOTES)

REVISION DATE

4-3-09



RECOMMENDED PC BOARD NOT FURNISHED

MATERIAL:  
ABS, UL94VO

PART NUMBER:  
PPB-11860-BK BLACK  
PPB-11860-WT WHITE

MAR RESISTANT TEXTURED SURFACE