

PPC-6151C

15" Configurable Panel PC Chassis for Selectable Mini-ITX Motherboards



Features

- 15" true-flat panel PC with resistive touch
- Supports certified mini-ITX motherboards (up to 65W TDP processor)
- PCI or PCIe expansion slots
- Front-facing power status LED indicators
- IP65-rated front panel
- Optional VESA mount module



Specifications

Model	PPC-6151C-RTAE		PPC-6151C-RMAE	
Supported Motherboard	PPC-MB-8260AE		<ul style="list-style-type: none"> ▪ AIMB-275 ▪ AIMB-226 	
Chassis	Storage	1 x 2.5" SATA HDD bay	2 x 2.5" SATA HDD bay	
	I/O	4 x Reserved ports (DB9) 2 x WLAN antenna holes 1 x AC inlet 1 x Power switch Reserved opening: According to the PPC-MB-8260AE motherboard specifications	1 x AC inlet 1 x Power switch 1 x DP (input, for connecting the motherboard and LVDS panel) 1 x USB 2.0 (input, for connecting the motherboard and touch controller) Reserved opening: According to the motherboard specifications	
	Expansion	1 x PCIe x4 or 2 x PCI (in the accessory box), 2 x PCIe x1 (optional), 1 x PCIe x1 + 1 x PCI (optional)	1 x PCIe x4 or 1 x PCI (in the accessory box)	
	Speaker	2 x 1 W	2 x 1 W (optional)	
	Fan	2 x 12V; 60 x 60 x 15 mm (2.36 x 2.36 x 0.59 in)		
Physical Characteristics	Dimensions (W x H x D)		391.4 x 312.5 x 103.6 mm (15.4 x 12.3 x 4.08 in)	
	Weight		5.03 kg (11.08 lb)	
OS Support	OS Support			According to motherboard specifications
Power Consumption	Input Voltage		100 ~ 240 V _{AC} , 250W	
	Power Consumption		SKL: 90W (Burn-in test 7.0 in Windows 7, 64 bit) (with PPC-MB-8260AE) KBL: 120W (Burn-in test 8.1 in Windows 10, 64 bit) (with PPC-MB-8260AE)	
LCD	Display Type		15" TFT LED panel	
	Max. Resolution		1024 x 768	
	Viewing Angle		80 ° (left), 80 ° (right), 70 ° (up), 70 ° (down)	
	Luminance (cd/m ²)		400	
	Contrast Ratio		700	
	Backlight Lifetime		50,000 hr	
Touchscreen	Touch Type		5-wire analog resistive, with optional projected capacitive touch	
	Light Transmission		80+/-5%	
	Controller		USB interface	
	Durability		35 million touches	
Environment	Operating Temperature	w/o VESA mount module	0 ~ 50 °C (32 ~ 122 °F) (With SKL CPU)	
		with VESA mount module	0 ~ 45 °C (32 ~ 113 °F) (With SKL CPU)	
		0 ~ 45 °C (32 ~ 113 °F) (With KBL CPU)	0 ~ 40 °C (32 ~ 104 °F) (With KBL CPU)	
	*** please refer to the PPC-MB-8260AE CPU list		0 ~ 50 °C (32 ~ 122 °F) 0 ~ 45 °C (32 ~ 113 °F) with VESA mount module	
	Storage Temperature		-30 ~ 60 °C (-22 ~ 140 °F)	
	Relative Humidity		10 ~ 95% @ 40 °C (non-condensing)	
	Shock		Operating: 10 G peak acceleration (11 ms duration), IEC 60068-2-27 compliant	
	Vibration		Operating: Random vibration test 5 ~ 500 Hz, 1 Grms @ with HDD, IEC 60068-2-64 compliant	
	EMC		BSMI,CE,FCC,Class A	
	Safety		BSMI,CB,CCC,UL	
Front Panel Protection		IP65 compliant		

Motherboard Specifications

PPC-MB-8260AE (For PPC-6151C-RTAE only)

CPU	CPU	KBL	i7-7700	i5-7500	i3-7101E	/	/
		SKL	i7-6700TE	i5-6500TE	i3-6100TE	Pentium G4400TE	Celeron G3900TE
	Core NO.		Quad Core	Quad Core	Dual Core	Dual Core	Dual Core
	MAX Speed	KBL	3.6GHz (up to 4.2GHz)	3.4GHz (up to 3.8GHz)	3.9GHz	/	/
		SKL	2.4GHz (up to 3.4GHz)	2.3GHz (up to 3.3GHz)	2.7GHz	2.4GHz	2.3GHz
	L3 Cache	KBL	8M	6M	4M	/	/
SKL				3M	3M	2M	
TDP	KBL	65W	65W	54W	/	/	
	SKL	35W	35W	35W	35W	35W	
Chipset	H110						
Memory	1 x 260-pin SODIMM DDR4, 2133 MHz, up to 16 GB (non-ECC)						
Network (LAN)	2 x 10/100/1000 Mbps Ethernet and 2 x Intel® I211						
Rear I/O	1 x RS232/422/485, 1 x RS232, 1 x DP1.2, 1 x VGA, 4 x USB3.0, 1 x Line-out, 1 x Mic-in						
Internal Connector	3 x RS232, 1 x GPIO (8 channels), 1 x speaker, 1 x LED, 2 x USB 2.0, 1 x LVDS, 1 x touch control, 2 x SATA						
Watchdog Timer	255 timer intervals, configurable using software						
Expansion	1 x full-size mSATA or mini PCIe and 1 x PCIe x4 slot for riser card						
Dimensions (W x H)	170 x 170 mm (6.69 x 6.69")						
OS Support	Microsoft® Windows 7 (32/64-bit), Windows 8.1/10 (64-bit) (**KBL CPU only support windows 10 64bit)						

Ordering Information

M/B Part Number	Chassis Part Number	Cooler Part Number
PPC-MB-8260AE	PPC-6151C-RTAE	1960053207N001
AIMB-275	PPC-6151C-RMAE	1960053207N001
AIMB-226	PPC-6151C-RMAE	1960061914N001

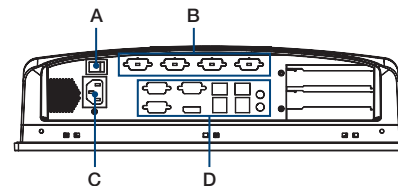
Note 1. The motherboard, chassis, and cooler should be ordered together to ensure easy configuration.
 Note 2. The chassis is equipped with AC power supply and riser cards.

Optional Accessories

Part Number	Description
PPC-WLAN-B1E	Wi-Fi module with antenna cable (40 cm) for PPC
1702002605	Power cable (EU) 90D 220 - 250V/6A, 1.8 M
1702002600	Power cable (US) 180D 125V/10A, 1.83 M
1702031801	Power cable (UK), 1.8 M
96CB-POWER-B-1.8M1	Power cable (China), 1.8 M
PPC-6151C-VESAE	VESA module for PPC-6151C (operating temperature 0 ~ 45 °C)
9893BE0200E	PPC-61X1C-RTAE riser card with 2 x PCIe x1 slots
9893BE03000	PPC-61X1C-RTAE riser card with 1 x PCIe x1 and 1 x PCI slots
PPC-ARM-A03	ARM VESA Standard (A-CLEVER) for PPC series (for VESA mount version only)
PPC-174T-WL-MTE	Wall mount kit for PPC series (for VESA mount version only)
PPC-Stand-A1E	Stand for PPC series (for VESA mount version only)
1700027838-01	Cable for two internal USB for PPC-MB-8260AE with I/O BKT

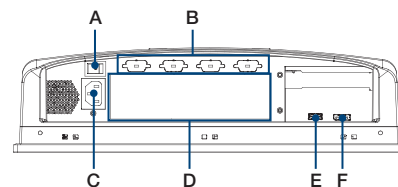
I/O View

PPC-6151C-RTAE



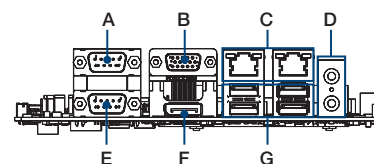
- A. Power switch
- B. Reserved ports
- C. AC inlet
- D. PPC-MB-8260AE I/O port

PPC-6151C-RMAE



- A. Power switch
- B. Reserved ports
- C. AC inlet
- D. Mini-ITX motherboard I/O port
- E. USB 2.0 (input, for connecting the motherboard and touch controller)
- F. Display port (input, for connecting the motherboard and LVDS panel)

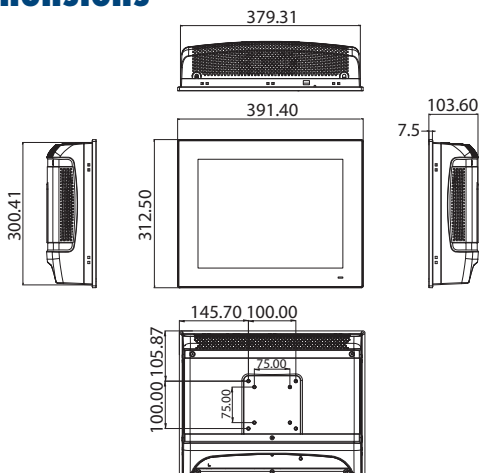
PPC-MB-8260AE



- A. RS232
- B. VGA
- C. 2 x Gigabit Ethernet
- D. Line-out/Mic-in
- E. RS232/422/485
- F. Display Port
- G. USB 3.0

Dimensions

Unit: mm



Optional kit for VESA mounting using M4 8-mm screws
 Panel Cutout Dimensions: 382 x 303 mm (15.03 x 11.92 in)