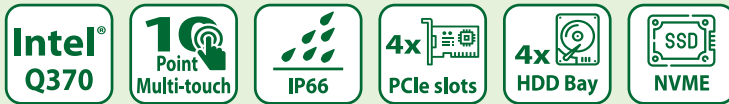


PPC-F-Q370 Series

15"/15.6"/17" AI Ready Panel PC Based on Intel® OpenVINO™ toolkit

Features

- 15"~24" Panel PC with 8th Generation LGA 1151 Intel® Core™ i7/i5/i3 and Pentium® processor
- Four hot-swappable and accessible HDD drive bays, support RAID 0/1/5/10
- Two PCIe 3.0 by 4 and two PCIe 3.0 by 8 slots
- Dual M.2 2280 PCIe Gen 3.0 x4 NVMe™ SSD support



Specifications

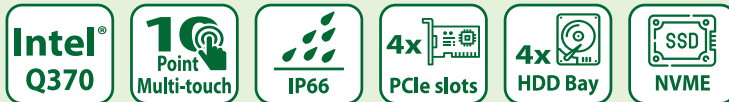
| Model | | PPC-F15C-Q370 | PPC-F17C-Q370 | PPC-FW15C-Q370 |
|------------------------|---|--|---------------------|---------------------|
| TFT LCD | LCD Size | 15" | 17" | 15.6" |
| | Max. Resolution | 1024x768 | 1280x1024 | 1366x768 |
| | Brightness (cd/m ²) | 450 | 350 | 400 |
| | Contrast Ratio | 800:1 | 1000:1 | 500:1 |
| | LCD Color | 16.2M | 16.7M | 16.2M |
| | Viewing Angle (H/V) | 160°/150° | 170°/160° | 170°/160° |
| | Backlight MTBF (Hrs) | 70,000 | 50,000 | 50,000 |
| Touch Screen | PCAP touch with 10-point multitouch, anti-glare coating | | | |
| Mainboard | CPU | 8th Generation Intel® Core™ i7/i5/i3 and Pentium® processor in the LGA 1151 package | | |
| | Chipset | Intel® Q370 Chipset | | |
| | Memory | 2 x 288-pin 2666/2400 MHz dual-channel DDR4 unbuffered DIMM slot supporting up to 64GB | | |
| | Graphics Engine | Intel® HD Graphics Gen 9 Engines with 16 low-power execution units, supports DX2015, OpenGL 5.X and OpenCL 2 x, ES 2.0 | | |
| | Ethernet | Intel® I211 controller | | |
| Storage | (1) 4 x Accessible 2.5" SATA 6Gb/s HDD/SSD bay (RAID 0/1/5/10 support) with LED indicator (2) 2 x M.2 2280 PCIe Gen 3.0 x4 NVMe™ SSD socket | | | |
| I/O Ports and Switches | 1 x HDMI output 2 x GbE LAN 6 x USB 3.2 Gen 1 (5Gb/s) Type-A 2 x RS-232 DB-9 type 1 x Mic in | 1 x Line out 1 x AC power in Inlet Power button with power LED (power on=Blue) AT/ATX mode switch Reset button | | |
| Expansion Slots | 2 x PCIe 3.0 by 8 (by 16 slot) 2 x PCIe 3.0 by 4 (maximum card size supported: 68 mm x 167 mm) | | | |
| Thermal Solution | Smart Fan | | | |
| Power Supply | AC input ATX power supply 1. 250W power supply - Input: 115VAC~230VAC, 50/60Hz - Output (max.): 3.3V@12A, 5V@14A, 12V@25A, -12V@0.3A, +5Vsb@3A 2. 350W power supply (Build to Order) - Input: 115VAC~264VAC, 50/60Hz - Output (max.): 3.3V@14A, 5V@16A, 12V@29A, -12V@0.3A, +5Vsb@3A -Efficiency: Full load (100%) 87%, Typical load (50%) 90%, Light load (20%) 87% | | | |
| Watchdog Timer | Software Programmable support 1~255 sec. system reset | | | |
| Construction | IP Rating | IP66-rated front panel | | |
| | Chassis Construction | Metal Housing | | |
| | Mounting | Rack/Panel Mount | | |
| | Color | Front Bezel : Cyan-blue (PSM 296C), Others: Black C | | |
| | Cut-out dimensions (LxDxH) (mm) | 361.1 x 285.6 | 391 x 324 | 379.1 x 232.3 |
| | Dimensions (LxDxH) (mm) | 378.5 x 303 x 118 | 408.4 x 341.4 x 119 | 400.1 x 253.3 x 121 |
| Environmental | Operating Temperature | -20°C ~ 50°C (with SSD and up to TDP 65W processor) -20°C ~ 40°C (with HDD or add-on cards without fan) | | |
| | Storage Temperature | -30°C ~ 60°C | | |
| | Operating Humidity | 5% ~95%, non-condensing | | |
| | Vibration | 5~17Hz, 0.1 double amplitude displacement 17~640Hz 1.5G acceleration peak to peak | | |
| | Shock | 10G acceleration part to part (11ms) | | |
| | Safety and EMC | CE & FCC Class A certified | | |

PPC-F-Q370 Series

18.5"/21.5"/23.8" AI Ready Panel PC Based on Intel® OpenVINO™ toolkit

Features

- 15"~24" Panel PC with 8th Generation LGA 1151 Intel® Core™ i7/i5/i3 and Pentium® processor
- Four hot-swappable and accessible HDD drive bays, support RAID 0/1/5/10
- Two PCIe 3.0 by 4 and two PCIe 3.0 by 8 slots
- Dual M.2 2280 PCIe Gen 3.0 x4 NVMe™ SSD support



Specifications

| Model | | PPC-FW19C-Q370 | PPC-FW22C-Q370 | PPC-FW24C-Q370 |
|------------------------|---|--|-----------------------|-------------------|
| TFT LCD | LCD Size | 18.5" | 21.5" | 23.8" |
| | Max. Resolution | 1366x768 | 1920x1080 | 1920x1080 |
| | Brightness (cd/m ²) | 400 | 250 | 250 |
| | Contrast Ratio | 1000:1 | 1000:1 | 3000:1 |
| | LCD Color | 16.7M | 16.7M | 16.7M |
| | Viewing Angle (H/V) | 170°/160° | 170°/160° | 178°/178° |
| | Backlight MTBF (Hrs) | 50,000 | 30,000 | 30,000 |
| Touch Screen | PCAP touch with 10-point multitouch, anti-glare coating | | | |
| Mainboard | CPU | 8th Generation Intel® Core™ i7/i5/i3 and Pentium® processor in the LGA 1151 package | | |
| | Chipset | Intel® Q370 Chipset | | |
| | Memory | 2 x 288-pin 2666/2400 MHz dual-channel DDR4 unbuffered DIMM slot supporting up to 64GB | | |
| | Graphics Engine | Intel® HD Graphics Gen 9 Engines with 16 low-power execution units, supports DX2015, OpenGL 5.X and OpenCL 2.x, ES 2.0 | | |
| | Ethernet | Intel® I211 controller | | |
| Storage | (1) 4 x Accessible 2.5" SATA 6Gb/s HDD/SSD bay (RAID 0/1/5/10 support) with LED indicator (2) 2 x M.2 2280 PCIe Gen 3.0 x4 NVMe™ SSD socket | | | |
| I/O Ports and Switches | 1 x HDMI output 2 x GbE LAN 6 x USB 3.2 Gen 1 (5Gb/s) Type-A 2 x RS-232 DB-9 type 1 x Mic in | 1 x Line out 1 x AC power in Inlet Power button with power LED (power on=Blue) AT/ATX mode switch Reset button | | |
| Expansion Slots | 2 x PCIe 3.0 by 8 (by 16 slot) 2 x PCIe 3.0 by 4 (maximum card size supported: 68 mm x 167 mm) | | | |
| Thermal Solution | Smart Fan | | | |
| Power Supply | AC input ATX power supply 1. 250W power supply - Input: 115VAC~230VAC, 50/60Hz - Output (max.): 3.3V@12A, 5V@14A, 12V@25A, -12V@0.3A, +5Vsb@3A 2. 350W power supply (Build to Order) - Input: 115VAC~264VAC, 50/60Hz - Output (max.): 3.3V@14A, 5V@16A, 12V@29A, -12V@0.3A, +5Vsb@3A -Efficiency: Full load (100%) 87%, Typical load (50%) 90%, Light load (20%) 87% | | | |
| Watchdog Timer | Software Programmable support 1~255 sec. system reset | | | |
| Construction | IP Rating | IP66-rated front panel | | |
| | Chassis Construction | Metal Housing | | |
| | Mounting | Rack/Panel Mount | Panel Mount | |
| | Color | Front Bezel : Cyan-blue (PSM 296C), Others: Black C | | |
| | Cut-out dimensions (LxDxH) (mm) | 447.8 x 267.2 | 533 x 341 | 577.6 x 359.6 |
| | Dimensions (LxDxH) (mm) | 469.8 x 289.2 x 120.8 | 550.4 x 358.4 x 117.8 | 600 x 356.6 x 119 |
| Environmental | Operating Temperature | -20°C ~ 50°C (with SSD and up to TDP 65W processor) -20°C ~ 40°C (with HDD or add-on cards without fan) | | |
| | Storage Temperature | -30°C ~ 60°C | | |
| | Operating Humidity | 5% ~95%, non-condensing | | |
| | Vibration | 5~17Hz, 0.1 double amplitude displacement 17~640Hz 1.5G acceleration peak to peak | | |
| | Shock | 10G acceleration part to part (11ms) | | |
| | Safety and EMC | CE & FCC Class A certified | | |

Ordering Information

| | Part No. | Description |
|-------|------------------------------|--|
| 15" | PPC-F15C-Q370-P/PC/25-R10 | 15" 450cd/m ² 1024 x768 AI modular Panel PC , Intel® Pentium® Gold G5400T Processor (2-core, 4-thread, 3.10 GHz) TDP 35W, two PCIe x4 and two PCIe x8 slots, four HDD bays, 250W PSU, R10 |
| | PPC-F15C-Q370-i3/PC/25-R10 | 15" 450cd/m ² 1024 x768 AI modular Panel PC, Intel® Core™ i3-8100T Processor (4-core, 4-thread, 3.10 GHz) TDP 35W, two PCIe x4 and two PCIe x8 slots, four HDD bays, 250W PSU, R10 |
| | PPC-F15C-Q370-i5/PC/25-R10* | 15" 450cd/m ² 1024 x768 AI modular Panel PC, Intel® Core™ i5-8500T Processor (6-core, 6-thread, 2.1 GHz) TDP 35W, two PCIe x4 and two PCIe x8 slots, four HDD bays, 250W PSU, R10 |
| | PPC-F15C-Q370-i7/PC/25-R10* | 15" 450cd/m ² 1024 x768 AI modular Panel PC, Intel® Core™ i7-8700T Processor (6-core,12-thread,2.4 GHz) TDP 35W, two PCIe x4 and two PCIe x8 slots, four HDD bays, 250W PSU, R10 |
| 17" | PPC-F17C-Q370-P/PC/25-R10 | 17" 350cd/m ² 1280 x 1024 AI modular Panel PC, Intel® Pentium® Gold G5400T Processor (2-core, 4-thread, 3.10 GHz) TDP 35W, two PCIe x4 and two PCIe x8 slots, four HDD bays, 250W PSU, R10 |
| | PPC-F17C-Q370-i3/PC/25-R10 | 17" 350cd/m ² 1280 x 1024 AI modular Panel PC, Intel® Core™ i3-8100T Processor (4-core, 4-thread, 3.10 GHz) TDP 35W, two PCIe x4 and two PCIe x8 slots, four HDD bays, 250W PSU, R10 |
| | PPC-F17C-Q370-i5/PC/25-R10* | 17" 350cd/m ² 1280 x 1024 AI modular Panel PC, Intel® Core™ i5-8500T Processor (6-core, 6-thread, 2.1 GHz) TDP 35W, two PCIe x4 and two PCIe x8 slots, four HDD bays, 250W PSU, R10 |
| | PPC-F17C-Q370-i7/PC/25-R10* | 17" 350cd/m ² 1280 x 1024 AI modular Panel PC, Intel® Core™ i7-8700T Processor (6-core,12-thread,2.4 GHz) TDP 35W, two PCIe x4 and two PCIe x8 slots, four HDD bays, 250W PSU, R10 |
| 15.6" | PPC-FW15C-Q370-P/PC/25-R10 | 15.6" 400cd/m ² 1366 x 768 AI modular Panel PC, Intel® Pentium® Gold G5400T Processor (2-core, 4-thread, 3.10 GHz) TDP 35W, two PCIe x4 and two PCIe x8 slots, four HDD bays, 250W PSU, R10 |
| | PPC-FW15C-Q370-i3/PC/25-R10 | 15.6" 400cd/m ² 1366 x 768 AI modular Panel PC, Intel® Core™ i3-8100T Processor (4-core, 4-thread, 3.10 GHz) TDP 35W, two PCIe x4 and two PCIe x8 slots, four HDD bays, 250W PSU, R10 |
| | PPC-FW15C-Q370-i5/PC/25-R10* | 15.6" 400cd/m ² 1366 x 768 AI modular Panel PC, Intel® Core™ i5-8500T Processor (6-core, 6-thread, 2.1 GHz) TDP 35W, two PCIe x4 and two PCIe x8 slots, four HDD bays, 250W PSU, R10 |
| | PPC-FW15C-Q370-i7/PC/25-R10* | 15.6" 400cd/m ² 1366 x 768 AI modular Panel PC, Intel® Core™ i7-8700T Processor (6-core,12-thread,2.4 GHz) TDP 35W, two PCIe x4 and two PCIe x8 slots, four HDD bays, 250W PSU, R10 |
| 18.5" | PPC-FW19C-Q370-P/PC/25-R10 | 18.5" 400cd/m ² 1366 x 768 AI modular Panel PC, Intel® Pentium® Gold G5400T Processor (2-core, 4-thread, 3.10 GHz) TDP 35W, two PCIe x4 and two PCIe x8 slots, four HDD bays, 250W PSU, R10 |
| | PPC-FW19C-Q370-i3/PC/25-R10 | 18.5" 400cd/m ² 1366 x 768 AI modular Panel PC, Intel® Core™ i3-8100T Processor (4-core, 4-thread, 3.10 GHz) TDP 35W, two PCIe x4 and two PCIe x8 slots, four HDD bays, 250W PSU, R10" |
| | PPC-FW19C-Q370-i5/PC/25-R10* | 18.5" 400cd/m ² 1366 x 768 AI modular Panel PC, Intel® Core™ i5-8500T Processor (6-core, 6-thread, 2.1 GHz) TDP 35W, two PCIe x4 and two PCIe x8 slots, four HDD bays, 250W PSU, R10 |
| | PPC-FW19C-Q370-i7/PC/25-R10* | 18.5" 400cd/m ² 1366 x 768 AI modular Panel PC, Intel® Core™ i7-8700T Processor (6-core,12-thread,2.4 GHz) TDP 35W, two PCIe x4 and two PCIe x8 slots, four HDD bays, 250W PSU, R10 |
| 21.5" | PPC-FW22C-Q370-P/PC/25-R10 | 21.5" 250cd/m ² 1920 x 1080 AI modular Panel PC, Intel® Pentium® Gold G5400T Processor (2-core, 4-thread, 3.10 GHz) TDP 35W, two PCIe x4 and two PCIe x8 slots, four HDD bays, 250W PSU, R10 |
| | PPC-FW22C-Q370-i3/PC/25-R10 | 21.5" 250cd/m ² 1920 x 1080 AI modular Panel PC, Intel® Core™ i3-8100T Processor (4-core, 4-thread, 3.10 GHz) TDP 35W, two PCIe x4 and two PCIe x8 slots, four HDD bays, 250W PSU, R10 |
| | PPC-FW22C-Q370-i5/PC/25-R10* | 21.5" 250cd/m ² 1920 x 1080 AI modular Panel PC, Intel® Core™ i5-8500T Processor (6-core, 6-thread, 2.1 GHz) TDP 35W, two PCIe x4 and two PCIe x8 slots, four HDD bays, 250W PSU, R10 |
| | PPC-FW22C-Q370-i7/PC/25-R10* | 21.5" 250cd/m ² 1920 x 1080 AI modular Panel PC, Intel® Core™ i7-8700T Processor (6-core,12-thread,2.4 GHz) TDP 35W, two PCIe x4 and two PCIe x8 slots, four HDD bays, 250W PSU, R10 |
| 23.8" | PPC-FW24C-Q370-P/PC/25-R10 | 23.8" 250cd/m ² 1920 x 1080 AI modular Panel PC, Intel® Pentium® Gold G5400T Processor (2-core, 4-thread, 3.10 GHz) TDP 35W, two PCIe x4 and two PCIe x8 slots, four HDD bays, 250W PSU, R10" |
| | PPC-FW24C-Q370-i3/PC/25-R10 | 23.8" 250cd/m ² 1920 x 1080 AI modular Panel PC, Intel® Core™ i3-8100T Processor (4-core, 4-thread, 3.10 GHz) TDP 35W, two PCIe x4 and two PCIe x8 slots, four HDD bays, 250W PSU, R10" |
| | PPC-FW24C-Q370-i5/PC/25-R10* | 23.8" 250cd/m ² 1920 x 1080 AI modular Panel PC, Intel® Core™ i5-8500T Processor (6-core, 6-thread, 2.1 GHz) TDP 35W, two PCIe x4 and two PCIe x8 slots, four HDD bays, 250W PSU, R10 |
| | PPC-FW24C-Q370-i7/PC/25-R10* | 23.8" 250cd/m ² 1920 x 1080 AI modular Panel PC, Intel® Core™ i7-8700T Processor (6-core,12-thread,2.4 GHz) TDP 35W, two PCIe x4 and two PCIe x8 slots, four HDD bays, 250W PSU, R10" |

*Build to order

**350W AC PSU models are by build-to-order manufacturing

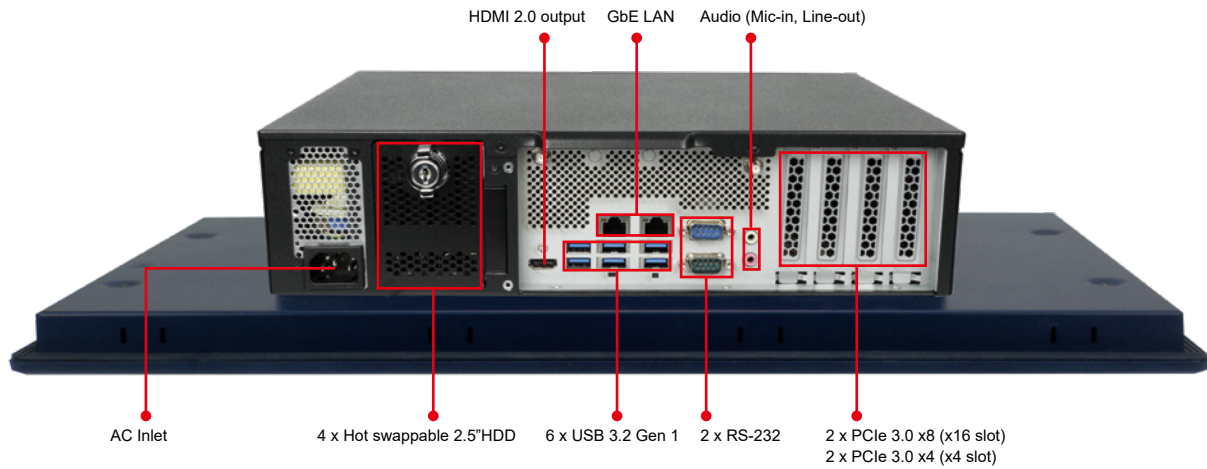
Options

| Item | PPC-F15C | PPC-FW15C | PPC-F17C | PPC-FW19C | PPC-FW22C | PPC-FW24C |
|-----------------|------------|-------------|------------|-------------|------------|------------|
| Panel Mount Kit | FPK-12-R10 | FPK-14-R10 | FPK-13-R10 | FPK-13-R10 | FPK-13-R10 | FPK-14-R10 |
| Rack Mount Kit | FRK15C-R10 | FRKW15C-R10 | FRK17C-R10 | FRKW19C-R10 | N.A. | N.A. |

Packing List

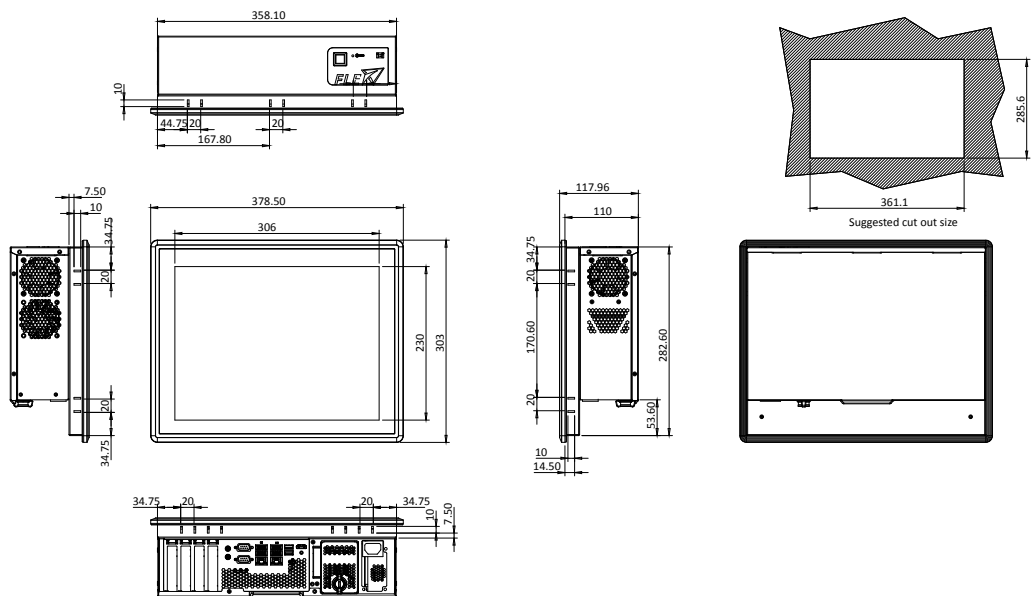
| Item | Q'ty | Description |
|---------------------|------|--|
| 44013-030041-RS | 16 | Flat head screws for HDD bracket, M3*4 |
| 32702-000200-100-RS | 1 | European power cord, 1830mm |

Fully Integrated I/O



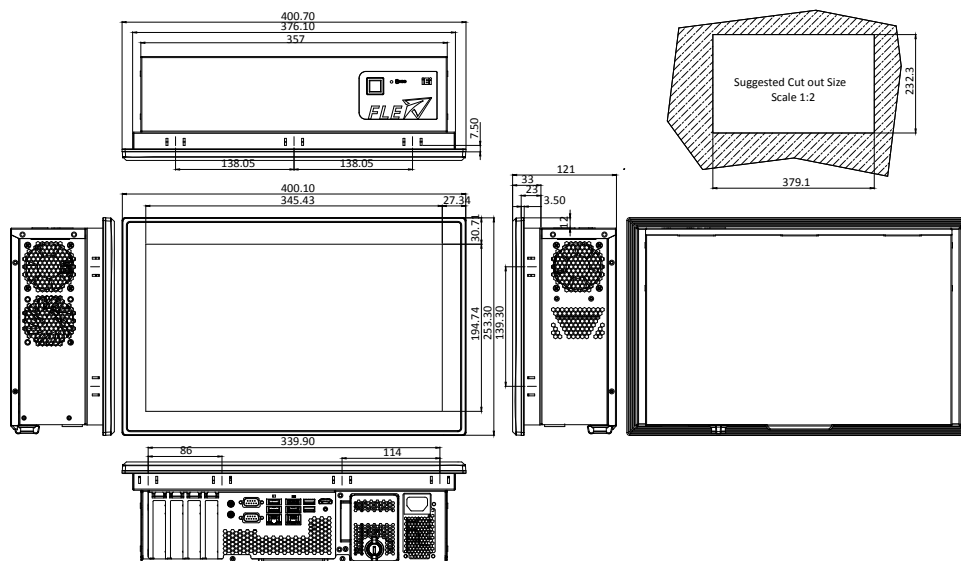
PPC-F15C-Q370 Dimensions

(Unit: mm)



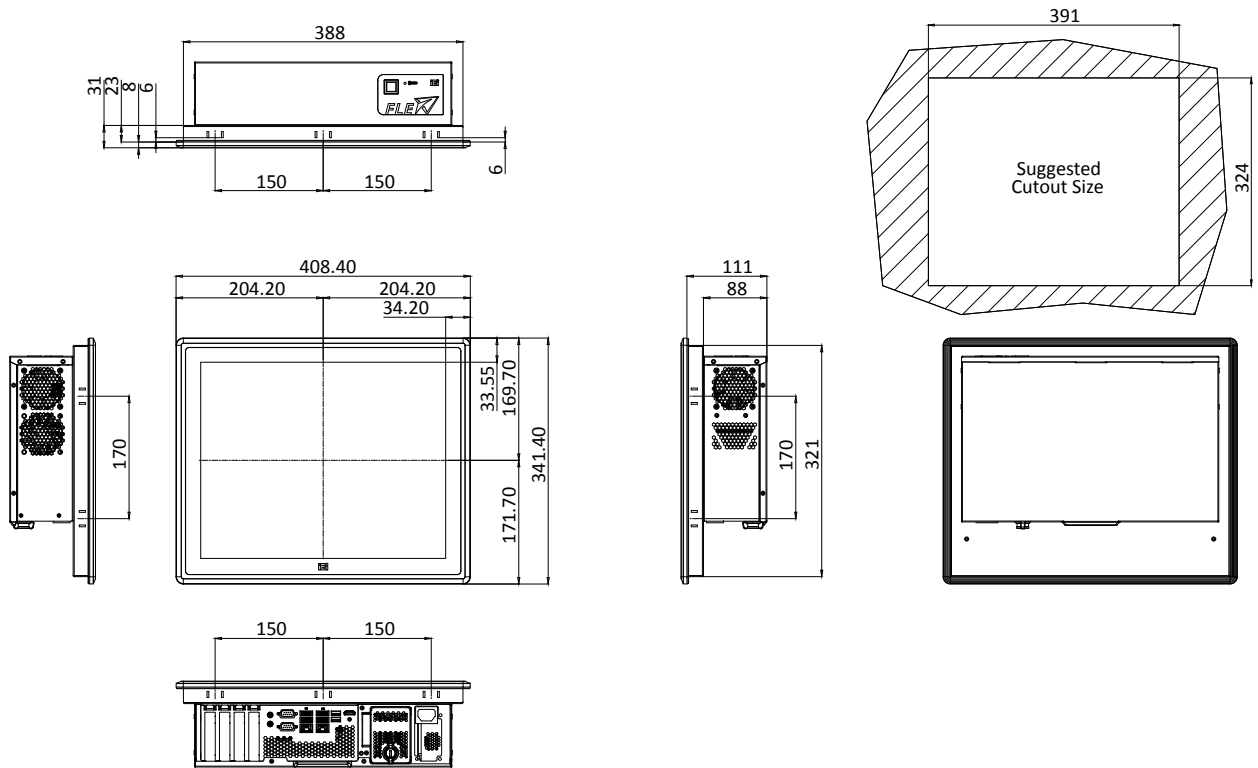
PPC-FW15C-Q370 Dimensions

(Unit: mm)



PPC-F17C-Q370 Dimensions

(Unit: mm)



PPC-FW19C-Q370 Dimensions

(Unit: mm)

