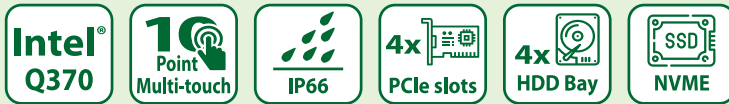


# PPC-F-Q370 Series

## 15"/15.6"/17" AI Ready Panel PC Based on Intel® OpenVINO™ toolkit

### Features

- 15"~24" Panel PC with 8th Generation LGA 1151 Intel® Core™ i7/i5/i3 and Pentium® processor
- Four hot-swappable and accessible HDD drive bays, support RAID 0/1/5/10
- Two PCIe 3.0 by 4 and two PCIe 3.0 by 8 slots
- Dual M.2 2280 PCIe Gen 3.0 x4 NVMe™ SSD support



### Specifications

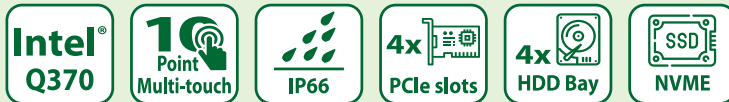
Model		PPC-F15C-Q370	PPC-F17C-Q370	PPC-FW15C-Q370
TFT LCD	LCD Size	15"	17"	15.6"
	Max. Resolution	1024x768	1280x1024	1366x768
	Brightness (cd/m <sup>2</sup> )	450	350	400
	Contrast Ratio	800:1	1000:1	500:1
	LCD Color	16.2M	16.7M	16.2M
	Viewing Angle (H/V)	160°/150°	170°/160°	170°/160°
	Backlight MTBF (Hrs)	70,000	50,000	50,000
Touch Screen	PCAP touch with 10-point multitouch, anti-glare coating			
Mainboard	CPU	8th Generation Intel® Core™ i7/i5/i3 and Pentium® processor in the LGA 1151 package		
	Chipset	Intel® Q370 Chipset		
	Memory	2 x 288-pin 2666/2400 MHz dual-channel DDR4 unbuffered DIMM slot supporting up to 64GB		
	Graphics Engine	Intel® HD Graphics Gen 9 Engines with 16 low-power execution units, supports DX2015, OpenGL 5.X and OpenCL 2 x, ES 2.0		
	Ethernet	Intel® I211 controller		
Storage	(1) 4 x Accessible 2.5" SATA 6Gb/s HDD/SSD bay (RAID 0/1/5/10 support) with LED indicator (2) 2 x M.2 2280 PCIe Gen 3.0 x4 NVMe™ SSD socket			
I/O Ports and Switches	1 x HDMI output 2 x GbE LAN 6 x USB 3.2 Gen 1 (5Gb/s) Type-A 2 x RS-232 DB-9 type 1 x Mic in	1 x Line out 1 x AC power in Inlet Power button with power LED (power on=Blue) AT/ATX mode switch Reset button		
Expansion Slots	2 x PCIe 3.0 by 8 (by 16 slot) 2 x PCIe 3.0 by 4 ( maximum card size supported: 68 mm x 167 mm)			
Thermal Solution	Smart Fan			
Power Supply	AC input ATX power supply 1. 250W power supply - Input: 115VAC~230VAC, 50/60Hz - Output (max.): 3.3V@12A, 5V@14A, 12V@25A, -12V@0.3A, +5Vsb@3A 2. 350W power supply (Build to Order) - Input: 115VAC~264VAC, 50/60Hz - Output (max.): 3.3V@14A, 5V@16A, 12V@29A, -12V@0.3A, +5Vsb@3A - Efficiency: Full load (100%) 87%, Typical load (50%) 90%, Light load (20%) 87%			
Watchdog Timer	Software Programmable support 1~255 sec. system reset			
Construction	IP Rating	IP66-rated front panel		
	Chassis Construction	Metal Housing		
	Mounting	Rack/Panel Mount		
	Color	Front Bezel : Cyan-blue (PSM 296C), Others: Black C		
	Cut-out dimensions (LxDxH) (mm)	361.1 x 285.6	391 x 324	379.1 x 232.3
	Dimensions (LxDxH) (mm)	378.5 x 303 x 118	408.4 x 341.4 x 119	400.1 x 253.3 x 121
Environmental	Operating Temperature	-20°C ~ 50°C (with SSD and up to TDP 65W processor) -20°C ~ 40°C (with HDD or add-on cards without fan)		
	Storage Temperature	-30°C ~ 60°C		
	Operating Humidity	5% ~95%, non-condensing		
	Vibration	5~17Hz, 0.1 double amplitude displacement 17~640Hz 1.5G acceleration peak to peak		
	Shock	10G acceleration part to part (11ms)		
	Safety and EMC	CE & FCC Class A certified		

# PPC-F-Q370 Series

## 18.5"/21.5"/23.8" AI Ready Panel PC Based on Intel® OpenVINO™ toolkit

### Features

- 15"~24" Panel PC with 8th Generation LGA 1151 Intel® Core™ i7/i5/i3 and Pentium® processor
- Four hot-swappable and accessible HDD drive bays, support RAID 0/1/5/10
- Two PCIe 3.0 by 4 and two PCIe 3.0 by 8 slots
- Dual M.2 2280 PCIe Gen 3.0 x4 NVMe™ SSD support



### Specifications

Model		PPC-FW19C-Q370	PPC-FW22C-Q370	PPC-FW24C-Q370
TFT LCD	LCD Size	18.5"	21.5"	23.8"
	Max. Resolution	1366x768	1920x1080	1920x1080
	Brightness (cd/m <sup>2</sup> )	400	250	250
	Contrast Ratio	1000:1	1000:1	3000:1
	LCD Color	16.7M	16.7M	16.7M
	Viewing Angle (H/V)	170°/160°	170°/160°	178°/178°
	Backlight MTBF (Hrs)	50,000	30,000	30,000
Touch Screen	PCAP touch with 10-point multitouch, anti-glare coating			
Mainboard	CPU	8th Generation Intel® Core™ i7/i5/i3 and Pentium® processor in the LGA 1151 package		
	Chipset	Intel® Q370 Chipset		
	Memory	2 x 288-pin 2666/2400 MHz dual-channel DDR4 unbuffered DIMM slot supporting up to 64GB		
	Graphics Engine	Intel® HD Graphics Gen 9 Engines with 16 low-power execution units, supports DX2015, OpenGL 5.X and OpenCL 2.x, ES 2.0		
	Ethernet	Intel® I211 controller		
Storage	(1) 4 x Accessible 2.5" SATA 6Gb/s HDD/SSD bay (RAID 0/1/5/10 support) with LED indicator (2) 2 x M.2 2280 PCIe Gen 3.0 x4 NVMe™ SSD socket			
I/O Ports and Switches	1 x HDMI output 2 x GbE LAN 6 x USB 3.2 Gen 1 (5Gb/s) Type-A 2 x RS-232 DB-9 type 1 x Mic in	1 x Line out 1 x AC power in Inlet Power button with power LED (power on=Blue) AT/ATX mode switch Reset button		
Expansion Slots	2 x PCIe 3.0 by 8 (by 16 slot) 2 x PCIe 3.0 by 4 ( maximum card size supported: 68 mm x 167 mm)			
Thermal Solution	Smart Fan			
Power Supply	AC input ATX power supply 1. 250W power supply - Input: 115VAC~230VAC, 50/60Hz - Output (max.): 3.3V@12A, 5V@14A, 12V@25A, -12V@0.3A, +5Vsb@3A 2. 350W power supply (Build to Order) - Input: 115VAC~264VAC, 50/60Hz - Output (max.): 3.3V@14A, 5V@16A, 12V@29A, -12V@0.3A, +5Vsb@3A -Efficiency: Full load (100%) 87%, Typical load (50%) 90%, Light load (20%) 87%			
Watchdog Timer	Software Programmable support 1~255 sec. system reset			
Construction	IP Rating	IP66-rated front panel		
	Chassis Construction	Metal Housing		
	Mounting	Rack/Panel Mount	Panel Mount	
	Color	Front Bezel : Cyan-blue (PSM 296C), Others: Black C		
	Cut-out dimensions (LxDxH) (mm)	447.8 x 267.2	533 x 341	577.6 x 359.6
Dimensions (LxDxH) (mm)	469.8 x 289.2 x 120.8	550.4 x 358.4 x 117.8	600 x 356.6 x 119	
Environmental	Operating Temperature	-20°C ~ 50°C (with SSD and up to TDP 65W processor) -20°C ~ 40°C (with HDD or add-on cards without fan)		
	Storage Temperature	-30°C ~ 60°C		
	Operating Humidity	5% ~95%, non-condensing		
	Vibration	5~17Hz, 0.1 double amplitude displacement 17~640Hz 1.5G acceleration peak to peak		
	Shock	10G acceleration part to part (11ms)		
Safety and EMC	CE & FCC Class A certified			

## Ordering Information

	Part No.	Description
15"	PPC-F15C-Q370-P/PC/25-R10	15" 450cd/m <sup>2</sup> 1024 x768 AI modular Panel PC , Intel® Pentium® Gold G5400T Processor (2-core, 4-thread, 3.10 GHz) TDP 35W, two PCIe x4 and two PCIe x8 slots, four HDD bays, 250W PSU, R10
	PPC-F15C-Q370-i3/PC/25-R10	15" 450cd/m <sup>2</sup> 1024 x768 AI modular Panel PC, Intel® Core™ i3-8100T Processor (4-core, 4-thread, 3.10 GHz) TDP 35W, two PCIe x4 and two PCIe x8 slots, four HDD bays, 250W PSU, R10
	PPC-F15C-Q370-i5/PC/25-R10*	15" 450cd/m <sup>2</sup> 1024 x768 AI modular Panel PC, Intel® Core™ i5-8500T Processor (6-core, 6-thread, 2.1 GHz) TDP 35W, two PCIe x4 and two PCIe x8 slots, four HDD bays, 250W PSU, R10
	PPC-F15C-Q370-i7/PC/25-R10*	15" 450cd/m <sup>2</sup> 1024 x768 AI modular Panel PC, Intel® Core™ i7-8700T Processor (6-core,12-thread,2.4 GHz) TDP 35W, two PCIe x4 and two PCIe x8 slots, four HDD bays, 250W PSU, R10
17"	PPC-F17C-Q370-P/PC/25-R10	17" 350cd/m <sup>2</sup> 1280 x 1024 AI modular Panel PC, Intel® Pentium® Gold G5400T Processor (2-core, 4-thread, 3.10 GHz) TDP 35W, two PCIe x4 and two PCIe x8 slots, four HDD bays, 250W PSU, R10
	PPC-F17C-Q370-i3/PC/25-R10	17" 350cd/m <sup>2</sup> 1280 x 1024 AI modular Panel PC, Intel® Core™ i3-8100T Processor (4-core, 4-thread, 3.10 GHz) TDP 35W, two PCIe x4 and two PCIe x8 slots, four HDD bays, 250W PSU, R10
	PPC-F17C-Q370-i5/PC/25-R10*	17" 350cd/m <sup>2</sup> 1280 x 1024 AI modular Panel PC, Intel® Core™ i5-8500T Processor (6-core, 6-thread, 2.1 GHz) TDP 35W, two PCIe x4 and two PCIe x8 slots, four HDD bays, 250W PSU, R10
	PPC-F17C-Q370-i7/PC/25-R10*	17" 350cd/m <sup>2</sup> 1280 x 1024 AI modular Panel PC, Intel® Core™ i7-8700T Processor (6-core,12-thread,2.4 GHz) TDP 35W, two PCIe x4 and two PCIe x8 slots, four HDD bays, 250W PSU, R10
15.6"	PPC-FW15C-Q370-P/PC/25-R10	15.6" 400cd/m <sup>2</sup> 1366 x 768 AI modular Panel PC, Intel® Pentium® Gold G5400T Processor (2-core, 4-thread, 3.10 GHz) TDP 35W, two PCIe x4 and two PCIe x8 slots, four HDD bays, 250W PSU, R10
	PPC-FW15C-Q370-i3/PC/25-R10	15.6" 400cd/m <sup>2</sup> 1366 x 768 AI modular Panel PC, Intel® Core™ i3-8100T Processor (4-core, 4-thread, 3.10 GHz) TDP 35W, two PCIe x4 and two PCIe x8 slots, four HDD bays, 250W PSU, R10
	PPC-FW15C-Q370-i5/PC/25-R10*	15.6" 400cd/m <sup>2</sup> 1366 x 768 AI modular Panel PC, Intel® Core™ i5-8500T Processor (6-core, 6-thread, 2.1 GHz) TDP 35W, two PCIe x4 and two PCIe x8 slots, four HDD bays, 250W PSU, R10
	PPC-FW15C-Q370-i7/PC/25-R10*	15.6" 400cd/m <sup>2</sup> 1366 x 768 AI modular Panel PC, Intel® Core™ i7-8700T Processor (6-core,12-thread,2.4 GHz) TDP 35W, two PCIe x4 and two PCIe x8 slots, four HDD bays, 250W PSU, R10
18.5"	PPC-FW19C-Q370-P/PC/25-R10	18.5" 400cd/m <sup>2</sup> 1366 x 768 AI modular Panel PC, Intel® Pentium® Gold G5400T Processor (2-core, 4-thread, 3.10 GHz) TDP 35W, two PCIe x4 and two PCIe x8 slots, four HDD bays, 250W PSU, R10
	PPC-FW19C-Q370-i3/PC/25-R10	18.5" 400cd/m <sup>2</sup> 1366 x 768 AI modular Panel PC, Intel® Core™ i3-8100T Processor (4-core, 4-thread, 3.10 GHz) TDP 35W, two PCIe x4 and two PCIe x8 slots, four HDD bays, 250W PSU, R10"
	PPC-FW19C-Q370-i5/PC/25-R10*	18.5" 400cd/m <sup>2</sup> 1366 x 768 AI modular Panel PC, Intel® Core™ i5-8500T Processor (6-core, 6-thread, 2.1 GHz) TDP 35W, two PCIe x4 and two PCIe x8 slots, four HDD bays, 250W PSU, R10
	PPC-FW19C-Q370-i7/PC/25-R10*	18.5" 400cd/m <sup>2</sup> 1366 x 768 AI modular Panel PC, Intel® Core™ i7-8700T Processor (6-core,12-thread,2.4 GHz) TDP 35W, two PCIe x4 and two PCIe x8 slots, four HDD bays, 250W PSU, R10
21.5"	PPC-FW22C-Q370-P/PC/25-R10	21.5" 250cd/m <sup>2</sup> 1920 x 1080 AI modular Panel PC, Intel® Pentium® Gold G5400T Processor (2-core, 4-thread, 3.10 GHz) TDP 35W, two PCIe x4 and two PCIe x8 slots, four HDD bays, 250W PSU, R10
	PPC-FW22C-Q370-i3/PC/25-R10	21.5" 250cd/m <sup>2</sup> 1920 x 1080 AI modular Panel PC, Intel® Core™ i3-8100T Processor (4-core, 4-thread, 3.10 GHz) TDP 35W, two PCIe x4 and two PCIe x8 slots, four HDD bays, 250W PSU, R10
	PPC-FW22C-Q370-i5/PC/25-R10*	21.5" 250cd/m <sup>2</sup> 1920 x 1080 AI modular Panel PC, Intel® Core™ i5-8500T Processor (6-core, 6-thread, 2.1 GHz) TDP 35W, two PCIe x4 and two PCIe x8 slots, four HDD bays, 250W PSU, R10
	PPC-FW22C-Q370-i7/PC/25-R10*	21.5" 250cd/m <sup>2</sup> 1920 x 1080 AI modular Panel PC, Intel® Core™ i7-8700T Processor (6-core,12-thread,2.4 GHz) TDP 35W, two PCIe x4 and two PCIe x8 slots, four HDD bays, 250W PSU, R10
23.8"	PPC-FW24C-Q370-P/PC/25-R10	23.8" 250cd/m <sup>2</sup> 1920 x 1080 AI modular Panel PC, Intel® Pentium® Gold G5400T Processor (2-core, 4-thread, 3.10 GHz) TDP 35W, two PCIe x4 and two PCIe x8 slots, four HDD bays, 250W PSU, R10"
	PPC-FW24C-Q370-i3/PC/25-R10	23.8" 250cd/m <sup>2</sup> 1920 x 1080 AI modular Panel PC, Intel® Core™ i3-8100T Processor (4-core, 4-thread, 3.10 GHz) TDP 35W, two PCIe x4 and two PCIe x8 slots, four HDD bays, 250W PSU, R10"
	PPC-FW24C-Q370-i5/PC/25-R10*	23.8" 250cd/m <sup>2</sup> 1920 x 1080 AI modular Panel PC, Intel® Core™ i5-8500T Processor (6-core, 6-thread, 2.1 GHz) TDP 35W, two PCIe x4 and two PCIe x8 slots, four HDD bays, 250W PSU, R10
	PPC-FW24C-Q370-i7/PC/25-R10*	23.8" 250cd/m <sup>2</sup> 1920 x 1080 AI modular Panel PC, Intel® Core™ i7-8700T Processor (6-core,12-thread,2.4 GHz) TDP 35W, two PCIe x4 and two PCIe x8 slots, four HDD bays, 250W PSU, R10"

\*Build to order

\*\*350W AC PSU models are by build-to-order manufacturing

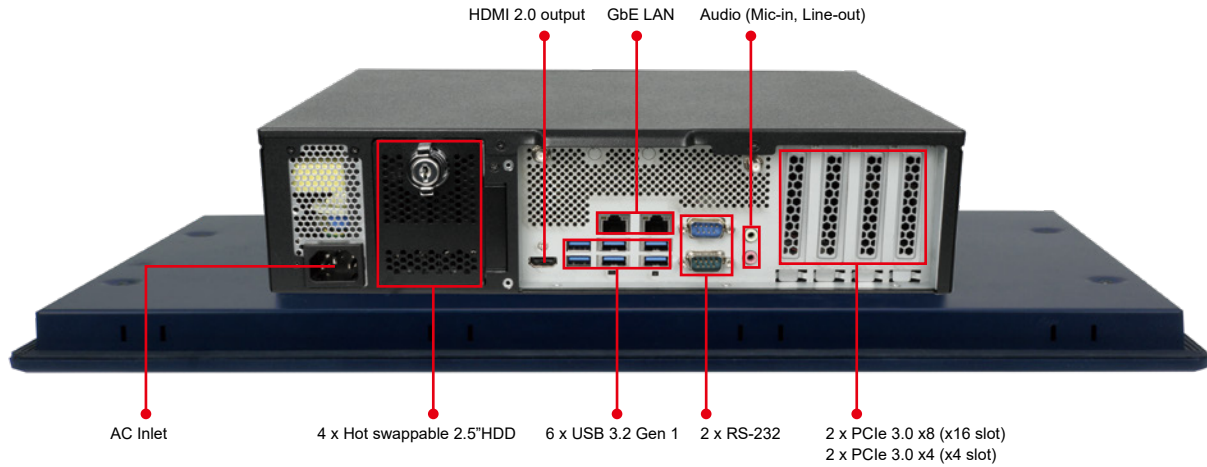
## Options

Item	PPC-F15C	PPC-FW15C	PPC-F17C	PPC-FW19C	PPC-FW22C	PPC-FW24C
Panel Mount Kit	FPK-12-R10	FPK-14-R10	FPK-13-R10	FPK-13-R10	FPK-13-R10	FPK-14-R10
Rack Mount Kit	FRK15C-R10	FRKW15C-R10	FRK17C-R10	FRKW19C-R10	N.A.	N.A.

## Packing List

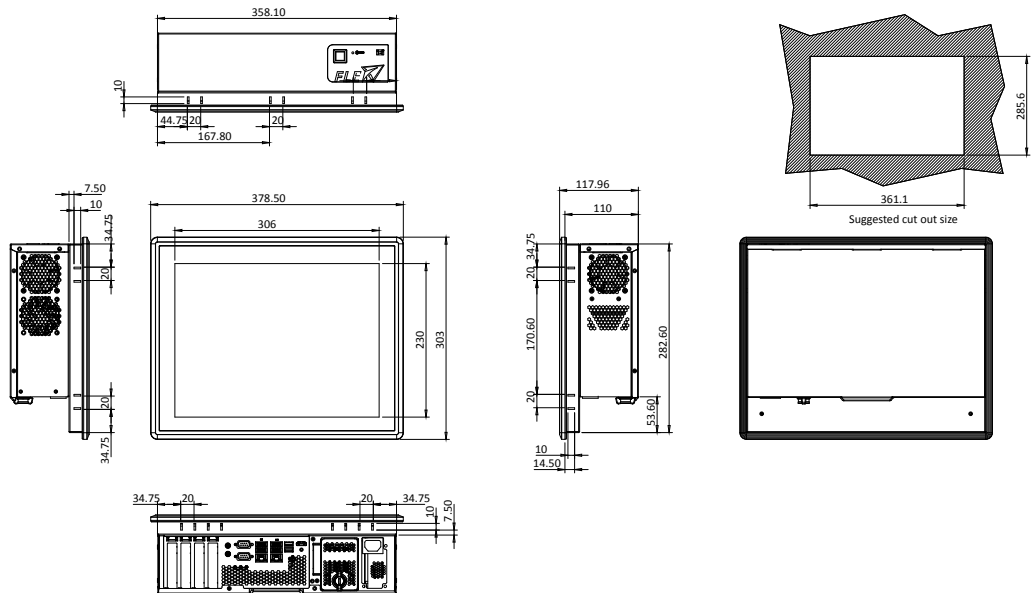
Item	Q'ty	Description
44013-030041-RS	16	Flat head screws for HDD bracket, M3*4
32702-000200-100-RS	1	European power cord, 1830mm

Fully Integrated I/O



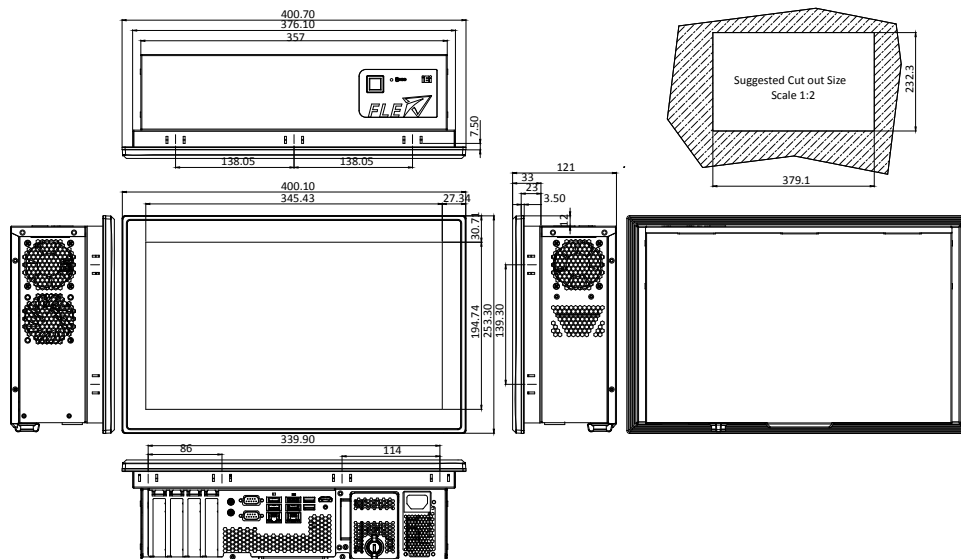
PPC-F15C-Q370 Dimensions

(Unit: mm)



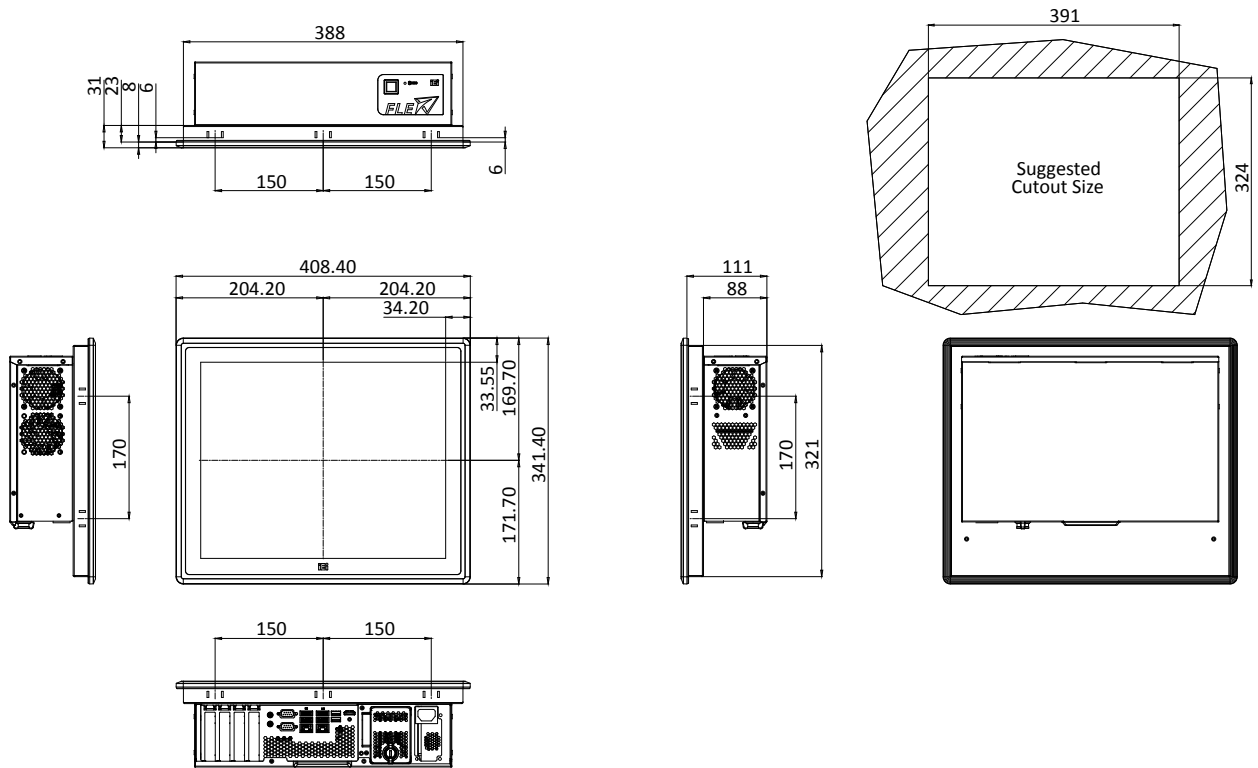
PPC-FW15C-Q370 Dimensions

(Unit: mm)



### PPC-F17C-Q370 Dimensions

(Unit: mm)



### PPC-FW19C-Q370 Dimensions

(Unit: mm)

