

PPC-F H81 Series



Intelligent Industrial Panel PC

Features

- Support IEI iRIS-2400 IEI remote intelligent solution
- Scalable Intel® H81 chipset supports LGA1150 Intel® 4th generation Core™ i7/i5/i3, Pentium® or Celeron® processor with up to 65W TDP
- Robust IP65 aluminum front bezel
- Aesthetic ultra-thin bezel for seamless panel mount installation
- Projected capacitive multi-touch
- Dual full-size PCIe Mini card expansion
- AC/DC power input options (DC model by build to order manufacturing)



Specifications

| Model | | PPC-F15A | PPC-F17A | PPC-F22A | PPC-F24A | |
|---------------------------------|---------------------------------------|---|----------------------|---|-------------------|-----------|
| LCD | LCD Display | 15" (4:3) | 17" (5:4) | 21.5" (16:9) | 23.8" (16:9) | |
| | Max. Resolution | 1024(W) x 768(H) | 1280(W) x 1024(H) | 1920(W) x 1080(H) | 1920(W) x 1080(H) | |
| | Brightness (cd/m ²) | 450 | 350 | 250 | 250 | |
| | Contrast Ratio | 800 : 1 | 800 : 1 | 1000 : 1 | 3000 : 1 | |
| | LCD Color | 16.2M | 16.7M | 16.7M | 16.7M | |
| | Pixel Pitch (mm) | 0.297 x 0.297 | 0.26 x 0.26 | 0.25 x 0.25 | 0.28 x 0.28 | |
| | Viewing Angle (H-V) | 160° / 150° | 170° / 160° | 170° / 160° | 178° / 178° | |
| | Backlight MTBF (hrs) | 70000 | 50000 | 30000 | 30000 | |
| Motherboard | SBC Model | FPPCMB-H81-R10 | | | | |
| | CPU | LGA1150 Intel® 4th generation Core™ i7/i5/i3, Pentium® or Celeron® processor with up to 65W TDP | | | | |
| | Chipset | Intel® H81 | | | | |
| | RAM | Support 2 x 204-pin 1066/1333/1600 MHz dual-channel DDR3 SO-DIMM slots (max. 16GB) | | | | |
| Touch | Touchscreen & Controller | 5-wire resistive single touch window, 3H/Penmount 9000 (Anti-glare Surface) | | 10-point Projected capacitive touch window, 6H/EETI EXC3188 (Anti-UV, Anti-glare Surface) | | |
| | | 10-point Projected capacitive touch window, 6H/EETI EXC3188 (Anti-UV, Anti-glare Surface) | | | | |
| Input Interfaces | I/O Ports & Switch | 2 x RJ-45 LAN Port 2 x USB 3.1 Gen 1 (5Gb/s) 4 x USB 2.0 1 x HDMI output 4 x RS-232 1 x RS-422/485 1 x MIC-in 1 x Line-out | | 1 x VGA output 1 x AC/DC power plug (DC model is by build to order manufacturing) 1 x AT/ATX switch 1 x Clear CMOS 1 x Reset button 1 x Power switch | | |
| | Expansion | 1 x Full-size/half-size PCIe Mini card (PCIe and USB signal) 1 x Full-size/half-size PCIe Mini card (PCIe, USB and mSATA signal) | | | | |
| Wireless LAN | | 802.11 b/g/n (optional) | | | | |
| Storage | | 1 x 2.5" HDD/SSD drive bay 1 x mSATA | | 1 x 2.5" HDD/SSD drive bay or 1 x 3.5" HDD/SSD drive bay 1 x mSATA | | |
| iRIS Remote Management Solution | | iRIS-2400 (optional) | | | | |
| Physical | Construction Material | Aluminum front cover and sheet metal rear cover | | | | |
| | Mounting | Panel mount, rack mount, 100x100 VESA mount | | Panel mount, 100x100 VESA mount | | |
| | Enclosure Color | Black C | | | | |
| | Dimensions (mm) | 303 x 378.5 x 68.7 | 341.4 x 408.4 x 73.8 | 350.4 x 550.4 x 71.7 | 382 x 600 x 71.7 | |
| | Cutout Dimensions (mm) | 285.6 x 361.1 | 323 x 390 | 341 x 536 | 359.6 x 577.6 | |
| | | Net/ Gross Weight (kg) | 5.6/ 8.3 | 7.5/10.7 | 10.1/14.4 | 10.5/14.8 |
| Environment | Operating Temperature (with air flow) | -10°C ~ 50°C | | | | |
| | Storage Temperature | -20°C ~ 60°C | | | | |
| | Humidity | 10% to 95% (non-condensing) | | | | |
| | IP Level | Front IP 65 | | | | |
| Safety and EMC | | CE & FCC certified | | | | |
| Power Supply | AC Input | AC input ATX power supply - P/N: 63030-010220-100-RS - 220W power supply - Input: 90VAC-264VAC, 50/60Hz - Output (max.): 3.3V@10A, 5V@14A, 12V@14A, -12V@0.3A | | | | |
| | DC Input (produced by order) | DC input ATX power supply - P/N: XACE-4520C-RS - 200W power supply - Input: 24VDC, 15A (max) - Output (max.): 3.3V@12A, 5V@12A, 12V@15.4A, -12V@0.5A | | | | |
| Power Consumption | | 80W | 100W | 110W | 120W | |

Ordering Information

| Part No. | Description |
|-----------------------------|---|
| PPC-F15AA-H81i-P/4G/PC-R22 | 15" 450 cd/m ² XGA Panel PC with Intel® H81 chipset, Intel® Pentium® Processor G3420 (3M Cache, 3.20 GHz), TDP 53W, 2GB RAM*2, support iRIS-2400, black color, PSU ACE-A622B, projective capacitive touch window with AG coating, R22 |
| PPC-F15AA-H81i-i3/4G/PC-R22 | 15" 450 cd/m ² XGA Panel PC with Intel® H81 chipset, Core i3 Dual Core i3-4330 Processor (4M Cache, 3.50 GHz), TDP 54W, 2GB RAM*2, support iRIS-2400, black color, PSU ACE-A622B, projective capacitive touch window with AG coating, R22 |
| PPC-F15AA-H81i-i5/4G/PC-R22 | 15" 450 cd/m ² XGA Panel PC with Intel® H81 chipset, Core i5 Quad Core i5-4570S Processor (6M Cache, up to 3.60 GHz), TDP 65W, 2GB RAM*2, support iRIS-2400, black color, PSU ACE-A622B, PCAP touch window with AG coating, R22 |
| PPC-F15AA-H81i-P/4G/R-R22 | 15" 450 cd/m ² XGA Panel PC with Intel® H81 chipset, Intel® Pentium® Processor G3420 (3M Cache, 3.20 GHz), TDP 53W, 2GB RAM*2, support iRIS-2400, black color, PSU ACE-A622B, resistive touch window with AG coating, R22 |
| PPC-F15AA-H81i-i3/4G/R-R22 | 15" 450 cd/m ² XGA Panel PC with Intel® H81 chipset, Core i3 Dual Core i3-4330 Processor (4M Cache, 3.50 GHz), TDP 54W, 2GB RAM*2, support iRIS-2400, black color, PSU ACE-A622B, resistive touch window with AG coating, R22 |
| PPC-F15AA-H81i-i5/4G/R-R22 | 15" 450 cd/m ² XGA Panel PC with Intel® H81 chipset, Core i5 Quad Core i5-4570S Processor (6M Cache, up to 3.60 GHz), TDP 65W, 2GB RAM*2, support iRIS-2400, black color, PSU ACE-A622B, resistive touch window with AG coating, R22 |
| PPC-F17AA-H81i-P/4G/PC-R13 | 17" 350 cd/m ² SXGA Panel PC with Intel® H81 chipset, Intel® Pentium® Processor G3420 (3M Cache, 3.20 GHz), TDP 53W, 2GB RAM*2, support iRIS-2400, black color, PSU ACE-A622B, projective capacitive touch window with AG coating, R13 |
| PPC-F17AA-H81i-i3/4G/PC-R13 | 17" 350 cd/m ² SXGA Panel PC with Intel® H81 chipset, Core i3 Dual Core i3-4330 Processor (4M Cache, 3.50 GHz), TDP 54W, 2GB RAM*2, support iRIS-2400, black color, PSU ACE-A622B, projective capacitive touch window with AG coating, R13 |
| PPC-F17AA-H81i-i5/4G/PC-R13 | 17" 350 cd/m ² SXGA Panel PC with Intel® H81 chipset, Core i5 Quad Core i5-4570S Processor (6M Cache, up to 3.60 GHz), TDP 65W, 2GB RAM*2, support iRIS-2400, black color, PSU ACE-A622B, projective capacitive touch window with AG coating, R13 |
| PPC-F17AA-H81i-P/4G/R-R13 | 17" 350 cd/m ² SXGA Panel PC with Intel® H81 chipset, Intel® Pentium® Processor G3420 (3M Cache, 3.20 GHz), TDP 53W, 2GB RAM*2, support iRIS-2400, black color, PSU ACE-A622B, resistive touch window with AG coating, R13 |
| PPC-F17AA-H81i-i3/4G/R-R13 | 17" 350 cd/m ² SXGA Panel PC with Intel® H81 chipset, Core i3 Dual Core i3-4330 Processor (4M Cache, 3.50 GHz), TDP 54W, 2GB RAM*2, support iRIS-2400, black color, PSU ACE-A622B, resistive touch window with AG coating, R13 |
| PPC-F17AA-H81i-i5/4G/R-R13 | 17" 350 cd/m ² SXGA Panel PC with Intel® H81 chipset, Core i5 Quad Core i5-4570S Processor (6M Cache, up to 3.60 GHz), TDP 65W, 2GB RAM*2, support iRIS-2400, black color, PSU ACE-A622B, resistive touch window with AG coating, R13 |
| PPC-F22AA-H81i-i3/4G/PC-R13 | 21.5" 250 cd/m ² FHD Panel PC with Intel® H81 chipset, Core i3 Dual Core i3-4330 Processor (4M Cache, 3.50 GHz), TDP 54W, 2GB RAM*2, support iRIS-2400, black color, PSU ACE-A622B, AG projective capacitive touch window, R13 |
| PPC-F22AA-H81i-i5/4G/PC-R13 | 21.5" 250 cd/m ² FHD Panel PC with Intel® H81 chipset, Core i5 Quad Core i5-4570S Processor (6M Cache, up to 3.60 GHz), TDP 65W, 2GB RAM*2, support iRIS-2400, black color, PSU ACE-A622B, AG projective capacitive touch window, R13 |
| PPC-F22AA-H81i-P/4G/PC-R13 | 21.5" 250 cd/m ² FHD Panel PC with Intel® H81 chipset, Intel® Pentium® Processor G3420 (3M Cache, 3.20 GHz), TDP 53W, 2GB RAM*2, support iRIS-2400, black color, PSU ACE-A622B, AG projective capacitive touch window, R13 |
| PPC-F24AA-H81i-P/4G/PC-R21 | 23.8" 250 cd/m ² FHD Panel PC with Intel® H81 chipset, Intel® Pentium® Processor G3420 (3M Cache, 3.20 GHz), TDP 53W, 2GB RAM*2, support iRIS-2400, black color, PSU ACE-A622B, projective capacitive touch window with AG coating, R21 |
| PPC-F24AA-H81i-i3/4G/PC-R21 | 23.8" 250 cd/m ² FHD Panel PC with Intel® H81 chipset, Core i3 Dual Core i3-4330 Processor (4M Cache, 3.50 GHz), TDP 54W, 2GB RAM*2, support iRIS-2400, black color, PSU ACE-A622B, projective capacitive touch window with AG coating, R21 |
| PPC-F24AA-H81i-i5/4G/PC-R21 | 23.8" 250 cd/m ² FHD Panel PC with Intel® H81 chipset, Core i5 Quad Core i5-4570S Processor (6M Cache, up to 3.60 GHz), TDP 65W, 2GB RAM*2, support iRIS-2400, black color, PSU ACE-A622B, projective capacitive touch window with AG coating, R21 |

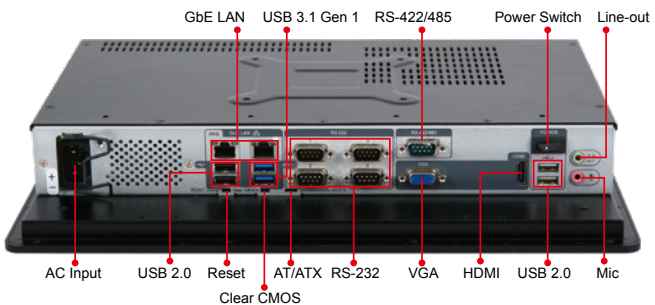
Options

| Item | PPC-F15A | PPC-F17A | PPC-F22A | PPC-F24A |
|--|---|--------------------------------|--------------------------------|--------------------------------|
| Arm | ARM-31-RS | ARM-31-RS | ARM-31-RS | ARM-31-RS |
| Stand | STAND-A21 STAND-A19-RS STAND-C19-R10 | STAND-C19-R10 STAND-A21-R10 | STAND-C19-R10 STAND-A21-R10 | STAND-C19-R10 STAND-A21-R10 |
| Wall Mount Kit | WK-190MS-R10 | | | |
| Panel Mount Kit | FPK-04-R10 | | FPK-05-R10 | FPK-06-R10 |
| Rack Mount Kit | FRK15-R10 | FRK17-R10 | N/A | |
| Wi-Fi Kit | EMB-WIFI-KIT11-R20 | | | |
| iRIS (IEI Remote Intelligent System) Kit | iRIS-2400-R10 | | | |

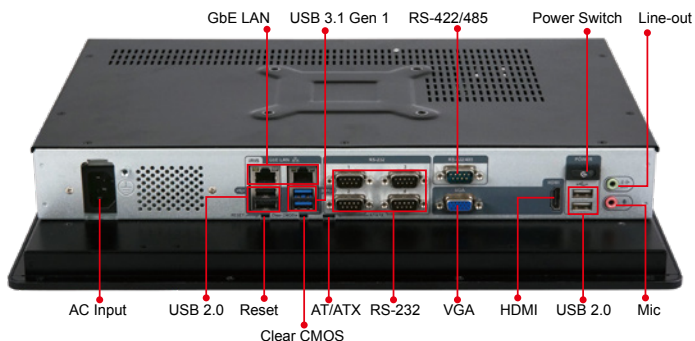
Packing List

| Item | Q'ty | Remark |
|------------|------|----------------------------|
| Power Cord | 1 | Depends on shipping region |
| Screw Kit | 1 | |

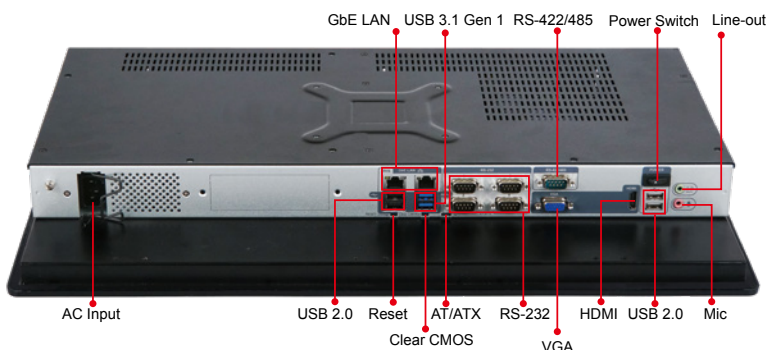
PPC-F15A
Fully Integrated I/O



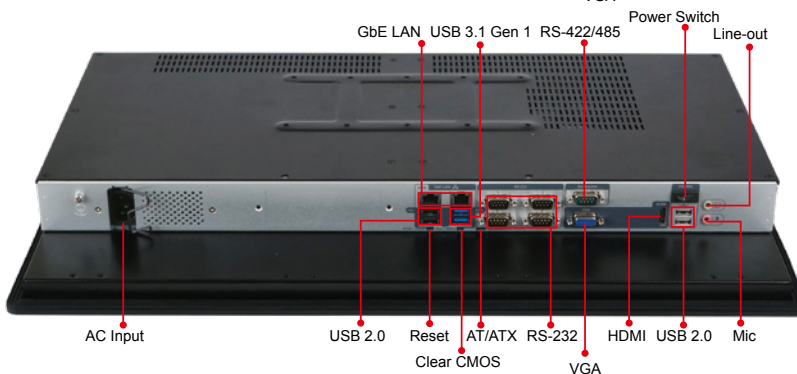
PPC-F17A
Fully Integrated I/O



PPC-F22A
Fully Integrated I/O



PPC-F24A
Fully Integrated I/O



PPC-F15A Dimensions
(Unit: mm)

