

# PPC2-C104-ADLP

## IEI Heavy Industrial Panel PC

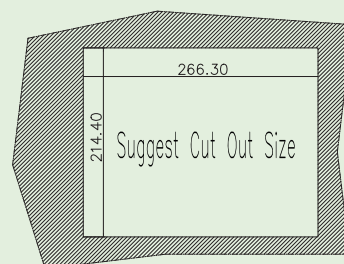
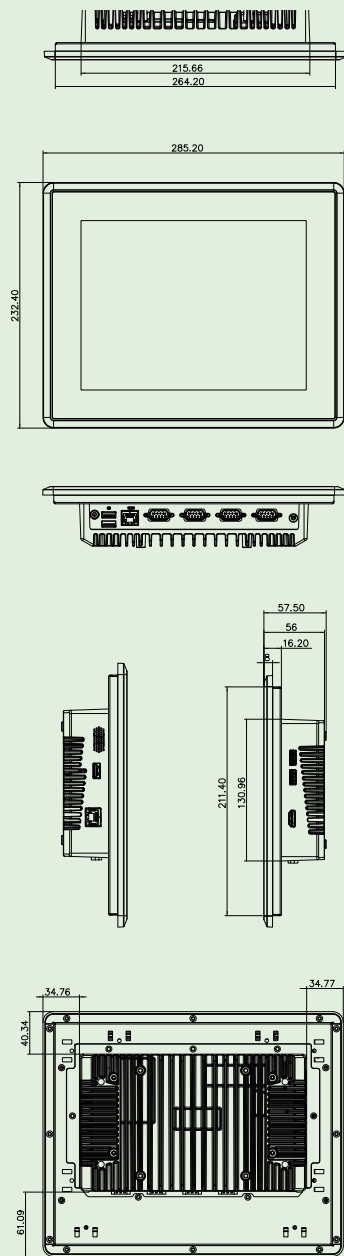
Powered by Intel® Alder Lake-P Platform



[www.ieiworld.com](http://www.ieiworld.com)



## Dimensions (Unit: mm)



## Specifications

Model	PPC2-C104-ADLP
LCD Display	10.4" (4:3)
Resolution	800 (W) x 600 (H)
Brightness	400 cd/cm <sup>2</sup>
Contrast Ratio	700:1
LCD Color	16.2M
Viewing Angle (H-V)	160°/140°
Backlight MTBF	30,000 hours
CPU (SoC)	12th Generation Intel® Core™ i7/i5/i3 Processor (Alder Lake-P)
Memory	Dual-channel 8GB LPDDR4x on-board
Touchscreen	Multi-point projected capacitive type (anti-UV / anti-glare coating, support gloves) Surface hardness: ≥7H
Touch Controller	Projected capacitive type: EETI 80
Ethernet	LAN1: Intel® I225V 2.5GbE controller LAN2: Intel® I225-LM 2.5GbE controller (support Intel® AMT)
Expansion	1 x M.2 M key 2242 (PCIe Gen4 x 4) 1 x M.2 M key 2280 (PCIe Gen4 x 4)
Mounting	VESA 100, Panel, Wall, Rack, Stand and Arm
Construction Material	Aluminum front cover and sheet metal rear cover
Enclosure Color	Silver+Black
I/O Ports, Switch	2 x RS-232 by DB9 2 x RS-232/422/485 by DB9 2 x 2.5GbE RJ45 2 x USB 3.2 Gen2 2 x USB 3.2 Gen1 1 x USB 2.0 1 x HDMI output 1 x 12V DC Jack 1 x Power button 1 x Reset button 1 x AT/ATX switch
Wireless & Bluetooth	IEEE 802.11ax 2T2R module (Wi-Fi 6E) with BT v5.2 (M.2 2230 A-key)
Thermal Solution	Fanless
Power Input	DC 12V
TPM	Intel® Platform Trust Technology
Watchdog Timer	Software Programmable support 1~255 sec. system reset
Operating Temperature (with air flow)	-10°C ~ 50°C
Storage Temperature	-20°C ~ 60°C
Humidity	10% ~ 95%@40°C, non-condensing
IP Level	IP 64 compliant front panel
Safety and EMC	CE, FCC Class A, UKCA
Operation Vibration	MIL-STD-810G 514.6C-1 (with SSD)
Operation Shock	Half-sine wave shock 5G; 11ms; 100 shocks per axis
Dimensions (H x W x D)	TBD
Net Weight	TBD
ErP	ErP 2009/125/EC
OS	Windows 10/11 IoT, Linux

## Packing List

1 x Power Cord	1 x Power Adapter
1 x Panel Mount Kit	1 x QIG

## Ordering Information

PPC2-C104-ADLP-i7/8G-R10	10.4" 400 cd/cm <sup>2</sup> 800x600 Panel PC with Intel® i7-1260P Processor, 8GB LPDDR4x on-board, HDMI output, black, 12V DC input, projected capacitive touchscreen with AG, R10
PPC2-C104-ADLP-i5/8G-R10	10.4" 400 cd/cm <sup>2</sup> 800x600 Panel PC with Intel® i5-1240P Processor, 8GB LPDDR4x on-board, HDMI output, black, 12V DC input, projected capacitive touchscreen with AG, R10
PPC2-C104-ADLP-i3/8G-R10	10.4" 400 cd/cm <sup>2</sup> 800x600 Panel PC with Intel® i3-1220P Processor, 8GB LPDDR4x on-board, HDMI output, black, 12V DC input, projected capacitive touchscreen with AG, R10

## Options

Item	Part No	Description
Arm	ARM-31-RS	VESA 75/100 Desk Arm
Stand	STAND-C12-R10	VESA 75/100 Easy Stand
Wall Mount Kit	AFLWK-19B	Monitor Wall Mount kit
OS	TBD	TBD