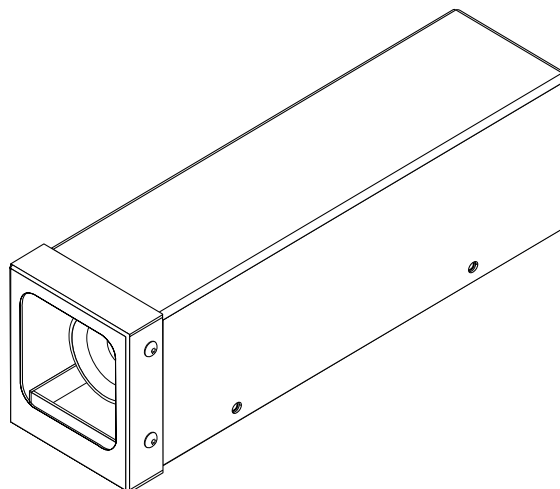




Model PPE-G/PPE-P Enclosure Kit

Dust-Resistant Enclosure for PresencePLUS[®] Pro Vision System Camera w/o Light



Features

- Small size encloses PresencePLUS Pro camera and lens only, when ring light is not required
- Protects camera from damage caused by accidental bumps and scratches
- Helps maintain lens focus by enclosing the lens and camera
- Keeps dust and dirt off camera and lens in applications not requiring washdown and/or aggressive corrosion protection
- Glass or polycarbonate window models available (see Specifications)
- Can be mounted directly through base plate, or with optional flat or right-angle mounting bracket
- Allows fine adjustment for aiming camera up and down, and from side to side



Model PPE-G/PPE-P Enclosure Kit

Installation

Remove Enclosure Housing from Base

NOTE: It is not necessary to remove the end cap and window to install the camera.

1. Remove five screws from around base of housing using a #2 Phillips head screwdriver.
2. Lift back of housing up off the base, slide housing forward until it clears the front end cap, and separate the housing from the base.

Install the PresencePLUS Pro Camera

1. Verify that the lens is mounted on the camera.
2. Check the fit of the camera/lens assembly. The lens should be positioned about flush with the base's front edge. When using lenses of greater than 25 mm focal length, remove the camera bracket and mount it in reverse position so the camera can be moved further back.
3. Mount the camera on the camera bracket, using the four supplied M3x6 socket head screws, lock washers and flat washers. Tighten the camera screws with the included 2.5 mm hex wrench.
4. Slide the camera and bracket so the front of the lens is approximately flush with the front of the base, and tighten the two bracket screws on the bottom of the base.

Mounting the Enclosure Base – Without the Optional Mounting Bracket

1. Drill four holes for #8 screws into the mounting surface. Use the base as a template or see the dimension drawing on page 4. (Mounting holes may be clearance drilled or tapped.)
2. Mount the base using four #8 screws of sufficient length (user-supplied).

Mounting the Enclosure Base – Using the Optional Mounting Bracket

1. Assemble the bracket to the enclosure base (to either side of the enclosure), using the hardware supplied with the bracket.
2. Drill two holes for 1/4" screws into the mounting surface. Use the bracket as a template. (Mounting holes may be drilled or tapped.)
3. Mount the base using two 1/4" screws of sufficient length (user-supplied).

For Applications with Vibration

If the Right-Angle Bracket is to be used to mount the enclosure in a vibration application, the optional Front Bracket (SMBPPEF) is required. Use it to stabilize the front of the enclosure after it is mounted, aimed, and assembled.

1. The Front Bracket fastens to the PEM nut on the bottom of the enclosure, using the #10 screw and washers supplied with the bracket. Remove the clear dust seal over the PEM nut first.
2. To mount the side of the bracket to the mounting surface, use the bracket as a template to mark the hole location. Drill a hole for a 1/4" screw in the mounting surface.
3. The slots in the Front Bracket allow some additional adjustment after mounting, if needed.

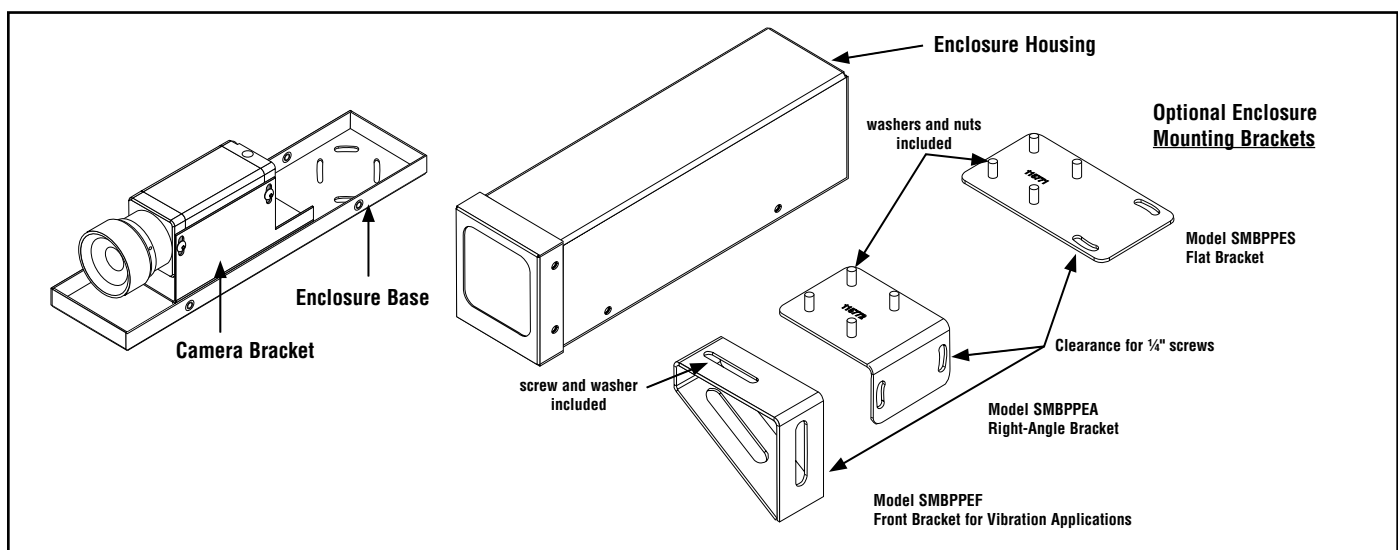


Figure 1. Assembling the enclosure

Model PPE-G/PPE-P Enclosure Kit

Connect the Camera

1. Push the camera cable's round connector through the black grommet in the back of the enclosure housing.
2. Connect the cable to the camera, but do not install the enclosure housing now.
3. Power up the camera.
4. Adjust horizontal aim using the mounting screws on the base (or straight bracket, if used).
5. If right-angle bracket is not used, adjust vertical aim on the camera bracket.
If right-angle bracket is used, tighten screws in center of camera bracket slots and use the vertical face of the right-angle bracket for adjustment.
6. Adjust the lens focus and aperture.
7. Verify that the front of the lens does not extend past the front edge of the base; adjust camera bracket on base, if needed.

Assemble the Enclosure

1. Verify that there are no smudges on the window (especially on the inside) that could cause imaging problems. (The window can be cleaned with standard glass cleaner and a soft, non-abrasive cloth.)
2. Place the enclosure housing over the camera so the housing's front end cap wraps around the base's front edge. Push the housing back until it clears the rear of the base and drops down.
3. Reinstall the five screws.

Damaged Window Replacement

1. Remove the (4) Phillips screws on the sides of the end cap.
2. Remove the end cap with window and gasket.
3. Place the new window in the end cap and place gasket on top (it will be between the window and the enclosure housing).
4. Place the end cap assembly onto housing and push down to compress gasket. Hold down while reinserting (4) screws.
5. Tighten screws.

Specifications

Environmental Rating	NEMA 1, IEC IP40
Construction	Enclosure: 20 gauge cold rolled steel with clear zinc plate, including edges Screws and nuts: 18-8 stainless steel Gasket: Cellular urethane foam Window: Model PPE-G: Glass; Model PPE-P: Polycarbonate Cord Grommet: 6/6 Nylon and Buna/N Nitrile