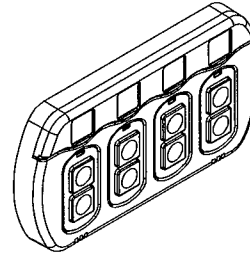
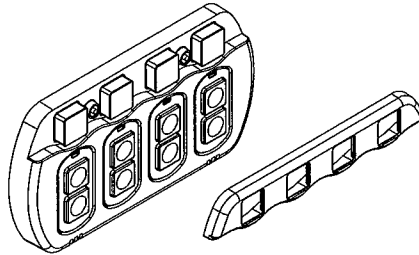
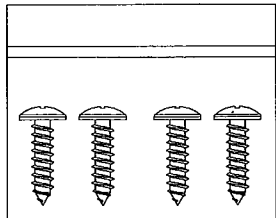
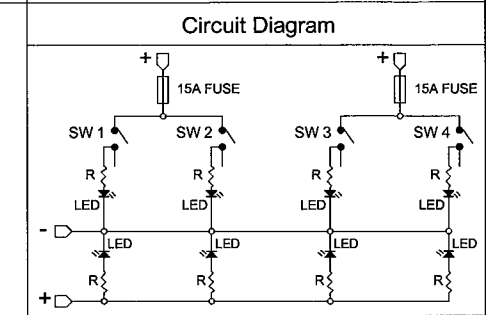
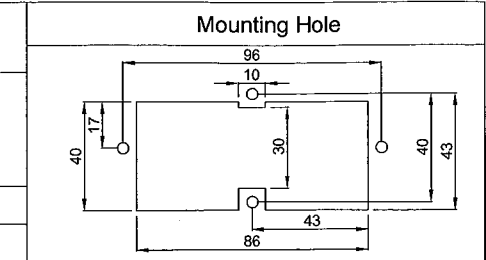


Notes:

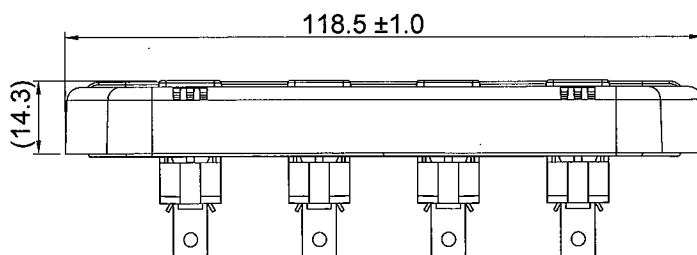
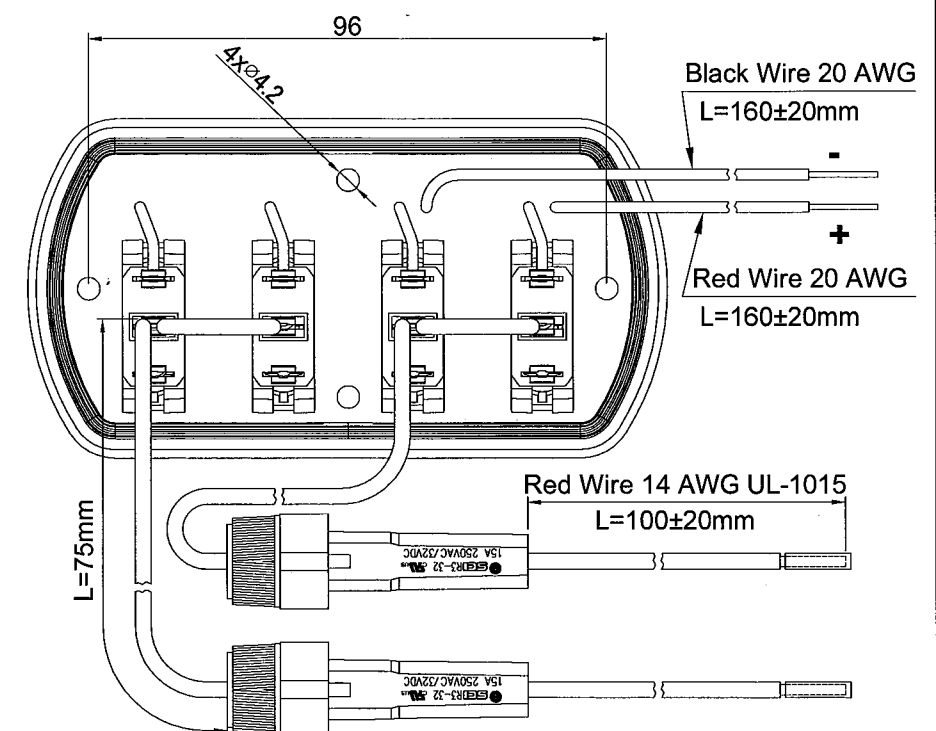
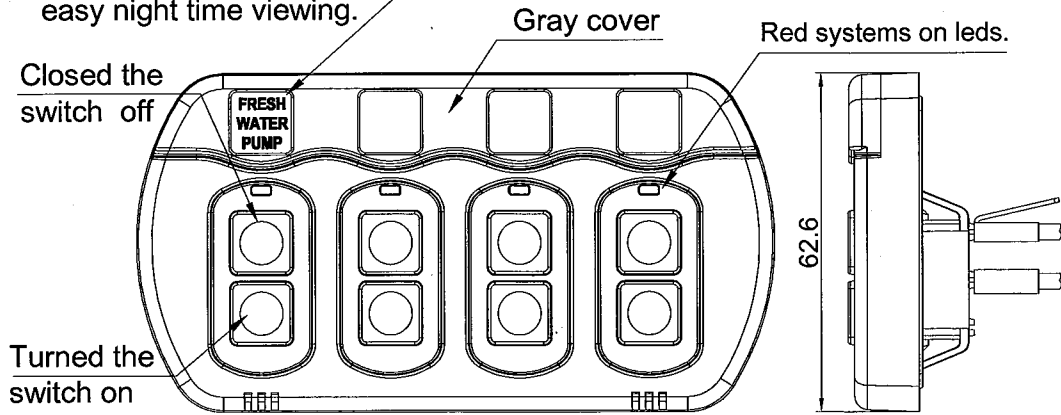
1. Panel & Cover: PC.
 2. Rocker Switch : R13-249A, on/off.
 3. Fuse Holder : R3-32AA2, fuse $\phi 5.0 \times 20L$ mm.
 4. When turned the switch on, the red led above the switch will lighten.
 5. The switch tray features a rubber mounting gasket and integral cover seal.
 6. The cover includes a clear plastic membrane with rubber over-mould allowing the flexibility to operate the switches while providing a clear window for label backlighting.
- * Sealed: IP66 when locked on the mounting panel.
 - * 4 Pcs Tapping Screw $\phi 4 \times 16L$ In Bulk.
 - * 30 sticker labels included.



Voltage	12-24V DC
Output Rating	10A max. (per circuit) 15A max. (two circuit)
Operation Temperature	-20°C~+60°C
Switch Function	2P SPST ON-OFF x 4



Labels are LED backlit for easy night time viewing.



原稿
2019.1.16
研發部

Tolerances Unless Otherwise Specified ± 0.5

Drawn	Checked	Approved	SCI BOM No.	1130426	Model Name	4 Way Spray Proof Switch Panel	
林玥呈			Customer No.		Model No.	PR18-H4A-249A32AA2 Rev.	
Date	Name	Description	No.	1/4/19	Unit	mm	0