

PS9822-1,-2

1 Mbps OPEN COLLECTOR OUTPUT TYPE
8-PIN SSOP (SO-8) HIGH-SPEED PHOTOCOUPLER

R08DS0262EJ0100
Rev.1.00
Dec 22, 2021

DESCRIPTION

The PS9822-1 and PS9822-2 are active-low type high-speed photocouplers that use an AlGaAs light-emitting diode on the input side and a photodetector IC that includes a photodiode and a signal processor on the same chip on the output side.

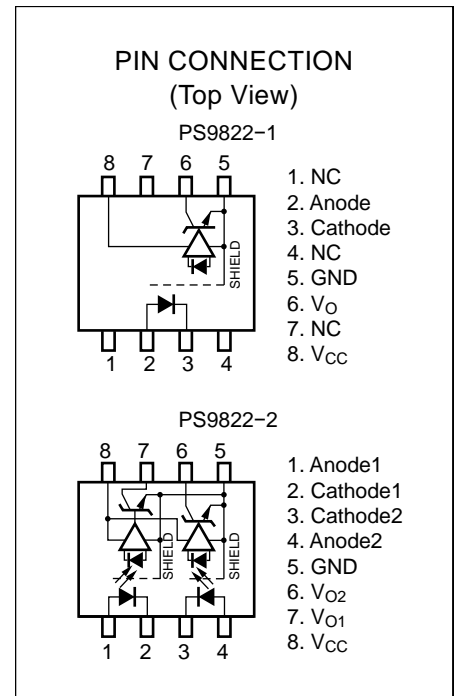
The PS9822-1, -2 are high-speed digital output type photocouplers designed specifically for low circuit current. The PS9822-2 is suitable for high density applications.

FEATURES

- Supply Voltage
 - N rank: $V_{CC} = 3.3\text{ V}$
 - L rank: $V_{CC} = 5\text{ V}$
- Pulse width distortion ($|t_{PHL}-t_{PLH}| = 200\text{ ns MAX.}$)
- 40% reduction of mounting area (5-pin SOP \times 2)
- High-speed (1 Mbps)
- High isolation voltage ($BV = 2\ 500\text{ Vr.m.s.}$)
- Open collector output
- Ordering number of tape product: PS9822-1-F3 : 1 500 pcs/reel
- : PS9822-2-F3 : 1 500 pcs/reel
- Pb-Free product
- Safety standards
 - UL : UL1577, Single protection
 - VDE : DIN EN 60747-5-5 (Option)

APPLICATIONS

- PoE (Power over Ethernet)
- Measurement equipment
- FA Network

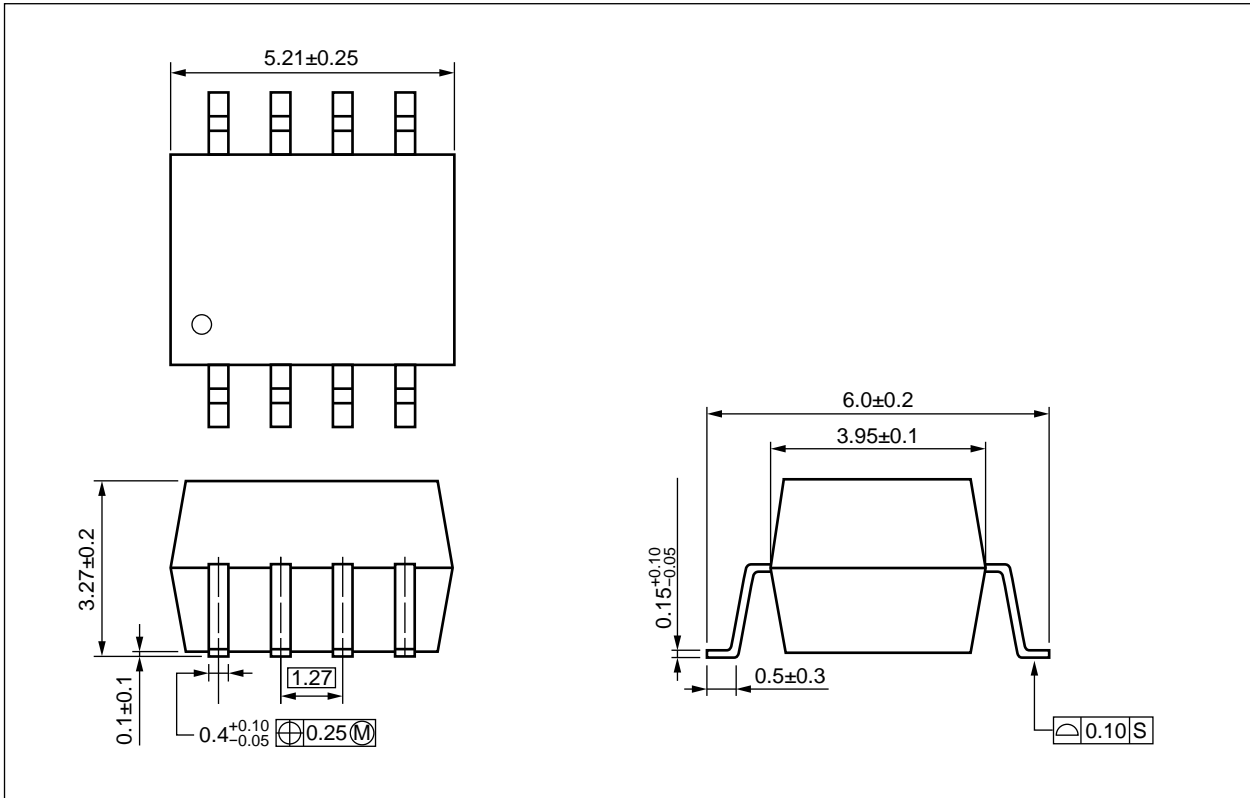


TRUTH TABLE

LED	Output
ON	L
OFF	H

Start of mass production
Oct.2008

PACKAGE DIMENSIONS (UNIT: mm)



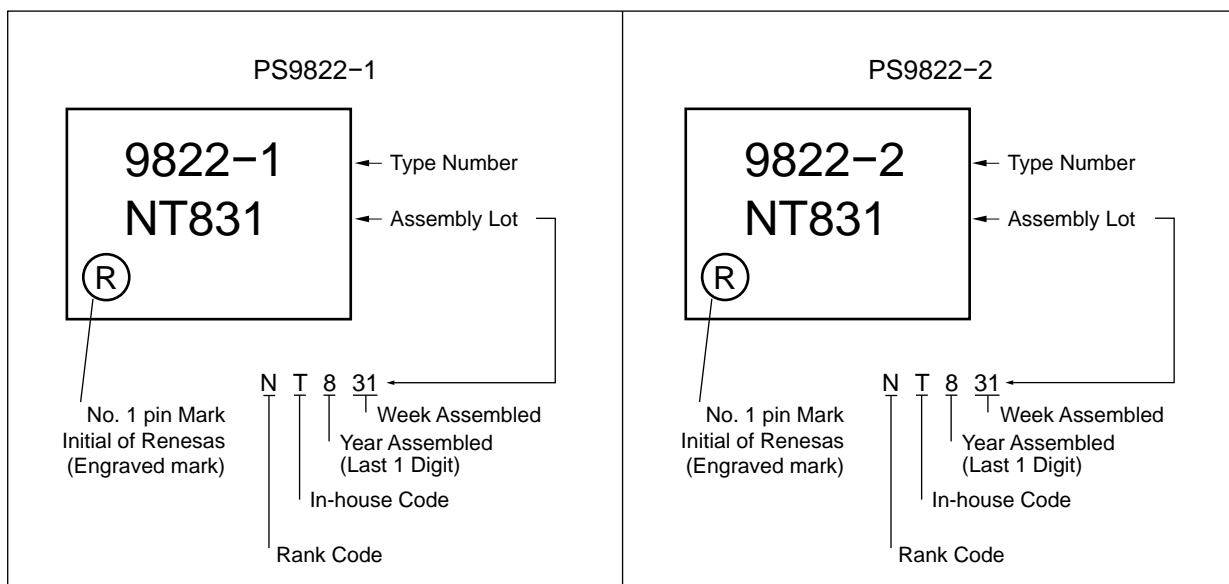
Weight: 0.14g (typ.)

PHOTOCOUPLER CONSTRUCTION

Parameter	Unit (MIN.)
Air Distance	4 mm
Creepage Distance	4 mm
Isolation Distance	0.2 mm

MARKING EXAMPLE

Ni/Pd/Au PLATING



ORDERING INFORMATION

Part Number	Order Number*4	Rank	Solder Plating Specification	Packing Style	Safety Standards Approval	Application Part Number **1	
PS9822-1	PS9822-1-AX	N ²	Pb-Free (Ni/Pd/Au)	20 pcs (Tape 20 pcs cut)	Standard products (UL, approved)	PS9822-1	
		L ³					
PS9822-1-F3	PS9822-1-F3-AX	N ²		Embossed Tape 1 500 pcs/reel			
		L ³					
PS9822-2	PS9822-2-AX	N ²		20 pcs (Tape 20 pcs cut)		PS9822-2	
		L ³					
PS9822-2-F3	PS9822-2-F3-AX	N ²		Embossed Tape 1 500 pcs/reel			
		L ³					
PS9822-1-V	PS9822-1-V-AX	N ²		20 pcs (Tape 20 pcs cut)	UL, DIN EN 60747-5-5 approved	PS9822-1	
		L ³					
PS9822-1-V-F3	PS9822-1-V-F3-AX	N ²		Embossed Tape 1 500 pcs/reel			
		L ³					
PS9822-2-V	PS9822-2-V-AX	N ²		20 pcs (Tape 20 pcs cut)			PS9822-2
		L ³					
PS9822-2-V-F3	PS9822-2-V-F3-AX	N ²	Embossed Tape 1 500 pcs/reel				
		L ³					

- Notes*: 1. For the application of the Safety Standard, following part number should be used.
 2. N rank: V_{cc} = 3.3 V
 3. L rank: V_{cc} = 5 V
 4. When specifying rank, please add "/rank" after Order Number.
 ex. N rank : PS9822-1-AX/N

ABSOLUTE MAXIMUM RATINGS (T_A = 25 °C, unless otherwise specified)

Parameter		Symbol	Ratings		Unit
			PS9822-1	PS9822-2	
Diode	Forward Current	I _F	20 ^{*1}	15 ^{*2}	mA
	Reverse Voltage	V _R	5		V/ch
Detector	Supply Voltage	V _{CC}	7		V
	Output Voltage	V _O	7		V/ch
	Output Current	I _O	20		mA/ch
	Power Dissipation ^{*3}	P _C	40		mW/ch
Isolation Voltage ^{*4}		BV	2 500		Vr.m.s.
Operating Ambient Temperature		T _A	- 40 to + 100		°C
Storage Temperature		T _{stg}	- 55 to + 125		°C

- Notes*: 1. Reduced to 0.38 mA/°C at T_A = 80 °C or more.
 2. Reduced to 0.13 mA/°C at T_A = 80 °C or more.
 3. Applies to output pin V_O (collector pin). Reduced to 1.5 mW/°C at T_A = 80 °C or more.
 4. AC voltage for 1 minute at T_A = 25 °C, RH = 60 % between input and output.
 Pins 1-4 shorted together, 5-8 shorted together.

RECOMMENDED OPERATING CONDITIONS

Parameter		Symbol	MIN.	TYP.	MAX.	Unit
Low Level Input Voltage		V _{FL}	0		0.8	V
High Level Input Current		I _{FH}	6.3	10	12.5	mA
Supply Voltage	N rank	V _{CC}	2.7	3.3	3.6	V
	L rank		4.5	5.0	5.5	
Pull-up Resistance		R _L	330		4 k	Ω
TLL (R _L = 1.0 kΩ, loads)		N			3	

ELECTRICAL CHARACTERISTICS : N rank (T_A = -40 to +100 °C, unless otherwise specified)

Parameter		Symbol	Conditions	MIN.	TYP.*1	MAX.	Unit		
Diode	Forward Voltage	V _F	I _F = 10 mA, T _A = 25 °C		1.6	1.8	V		
	Reverse Current	I _R	V _R = 3 V, T _A = 25 °C			10	μA		
	Terminal Capacitance	C _t	V = 0 V, f = 1 MHz, T _A = 25 °C		30		pF		
Detector	High Level Output Current	I _{OH}	V _{CC} = V _O = 3.3 V, V _F = 0.8 V		1	100	μA		
	Low Level Output Voltage*2	V _{OL}	V _{CC} = 3.3 V, I _F = 5 mA, I _{OL} = 10 mA		0.2	0.6	V		
	High Level Supply Current (PS9822-1)	I _{CCH}	V _{CC} = 3.3 V, I _F = 0 mA, V _O = Open			2	mA		
	High Level Supply Current (PS9822-2)					4			
	Low Level Supply Current (PS9822-1)	I _{CCL}	V _{CC} = 3.3 V, I _F = 10 mA, V _O = Open			3			
	Low Level Supply Current (PS9822-2)					6			
Coupled	Threshold Input Current (H → L)	I _{FHL}	V _{CC} = 3.3 V, V _O = 0.8 V, R _L = 350 Ω		2	5	mA		
	Isolation Resistance	R _{I-O}	V _{I-O} = 1 kV _{DC} , R _H = 40 to 60 %, T _A = 25 °C	10 ¹¹			Ω		
	Isolation Capacitance	C _{I-O}	V = 0 V, f = 1 MHz, T _A = 25 °C		0.6		pF		
	Propagation Delay Time (H → L)*3	t _{PHL}	V _{CC} = 3.3 V, R _L = 350 Ω, I _F = 7.5 mA, V _{THHL} = V _{THLH} = 1.5 V			500	ns		
	Propagation Delay Time (L → H)*3	t _{PLH}				700			
	Pulse Width Distortion (PWD)*3	t _{PHL} -t _{PLH}				200			
	Rise Time	t _r			60				
	Fall Time	t _f			70				
	Common Mode Transient Immunity at High Level Output*4	CM _H		V _{CC} = 3.3 V, R _L = 350 Ω, T _A = 25 °C, I _F = 0 mA, V _O > 2 V, V _{CM} = 1 kV	15	20			kV/μs
	Common Mode Transient Immunity at Low Level Output*4	CM _L		V _{CC} = 3.3 V, R _L = 350 Ω, T _A = 25 °C, I _F = 7.5 mA, V _O < 0.8 V, V _{CM} = 1 kV	15	20			

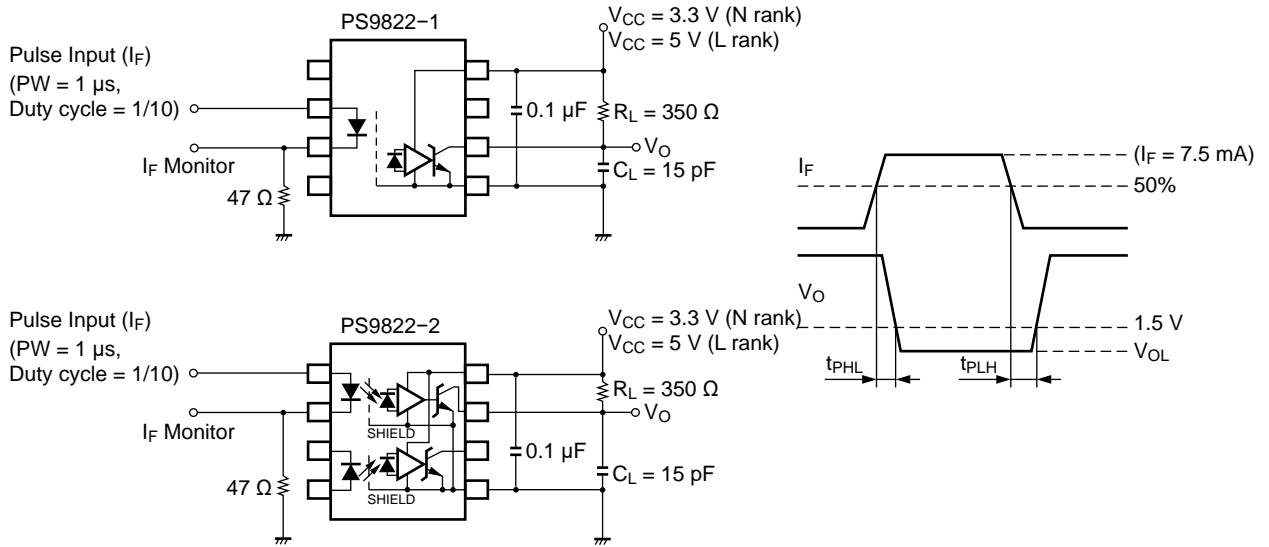
ELECTRICAL CHARACTERISTICS : L rank (TA = -40 to +100 °C, unless otherwise specified)

Parameter		Symbol	Conditions	MIN.	TYP.*5	MAX.	Unit		
Diode	Forward Voltage	V_F	$I_F = 10 \text{ mA}, T_A = 25 \text{ }^\circ\text{C}$		1.6	1.8	V		
	Reverse Current	I_R	$V_R = 3 \text{ V}, T_A = 25 \text{ }^\circ\text{C}$			10	μA		
	Terminal Capacitance	C_t	$V = 0 \text{ V}, f = 1 \text{ MHz}, T_A = 25 \text{ }^\circ\text{C}$		30		pF		
Detector	High Level Output Current	I_{OH}	$V_{CC} = V_O = 5 \text{ V}, V_F = 0.8 \text{ V}$		1	100	μA		
	Low Level Output Voltage*6	V_{OL}	$V_{CC} = 5 \text{ V}, I_F = 5 \text{ mA}, I_{OL} = 13 \text{ mA}$		0.2	0.6	V		
	High Level Supply Current (PS9822-1)	I_{CCH}	$V_{CC} = 5 \text{ V}, I_F = 0 \text{ mA}, V_O = \text{Open}$			2.5	mA		
	High Level Supply Current (PS9822-2)					5			
	Low Level Supply Current (PS9822-1)	I_{CCL}	$V_{CC} = 5 \text{ V}, I_F = 10 \text{ mA}, V_O = \text{Open}$			3.5			
	Low Level Supply Current (PS9822-2)					7			
Coupled	Threshold Input Current (H → L)	I_{FHL}	$V_{CC} = 5 \text{ V}, V_O = 0.8 \text{ V}, R_L = 350 \text{ } \Omega$		2	5	mA		
	Isolation Resistance	R_{I-O}	$V_{I-O} = 1 \text{ kV}_{DC}, R_H = 40 \text{ to } 60 \text{ } \%, T_A = 25 \text{ }^\circ\text{C}$	10^{11}			Ω		
	Isolation Capacitance	C_{I-O}	$V = 0 \text{ V}, f = 1 \text{ MHz}, T_A = 25 \text{ }^\circ\text{C}$		0.6		pF		
	Propagation Delay Time (H → L)*7	t_{PHL}	$V_{CC} = 5 \text{ V}, R_L = 350 \text{ } \Omega, I_F = 7.5 \text{ mA}, V_{THHL} = V_{THLH} = 1.5 \text{ V}$			500	ns		
	Propagation Delay Time (L → H)*7	t_{PLH}				700			
	Pulse Width Distortion (PWD)*7	$ t_{PHL} - t_{PLH} $				200			
	Rise Time	t_r				60			
	Fall Time	t_f				70			
	Common Mode Transient Immunity at High Level Output*8	CM_H		$V_{CC} = 5 \text{ V}, R_L = 350 \text{ } \Omega, T_A = 25 \text{ }^\circ\text{C}, I_F = 0 \text{ mA}, V_O > 2 \text{ V}, V_{CM} = 1 \text{ kV}$	15	20			kV/ μs
	Common Mode Transient Immunity at Low Level Output*8	CM_L		$V_{CC} = 5 \text{ V}, R_L = 350 \text{ } \Omega, T_A = 25 \text{ }^\circ\text{C}, I_F = 7.5 \text{ mA}, V_O < 0.8 \text{ V}, V_{CM} = 1 \text{ kV}$	15	20			

Notes*: 1, 5. Typical values at $T_A = 25 \text{ }^\circ\text{C}$

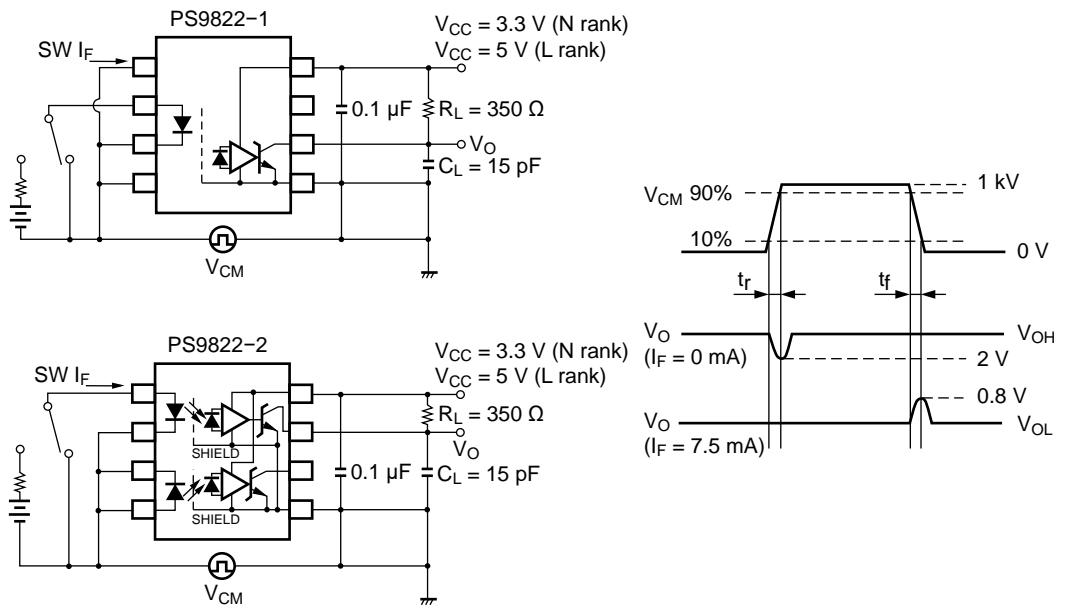
- 2, 6. Because V_{OL} of 2 V or more may be output when LED current input and when output supply of $V_{CC} = 2.6 \text{ V}$ or less, it is important to confirm the characteristics (operation with the power supply on and off) during design, before using this device.

3. 7. Test circuit for propagation delay time.



Remark: C_L includes probe and stray wiring capacitance.

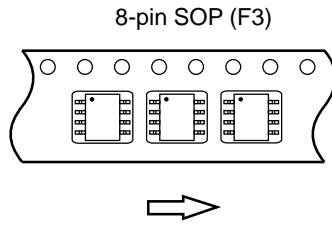
4. 8. Test circuit for common mode transient immunity



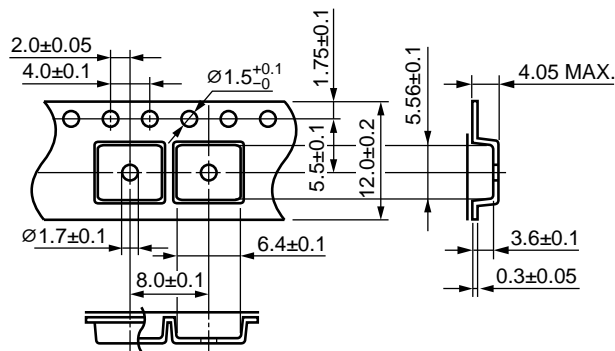
Remark: C_L includes probe and stray wiring capacitance.

TAPING SPECIFICATIONS (UNIT: mm)

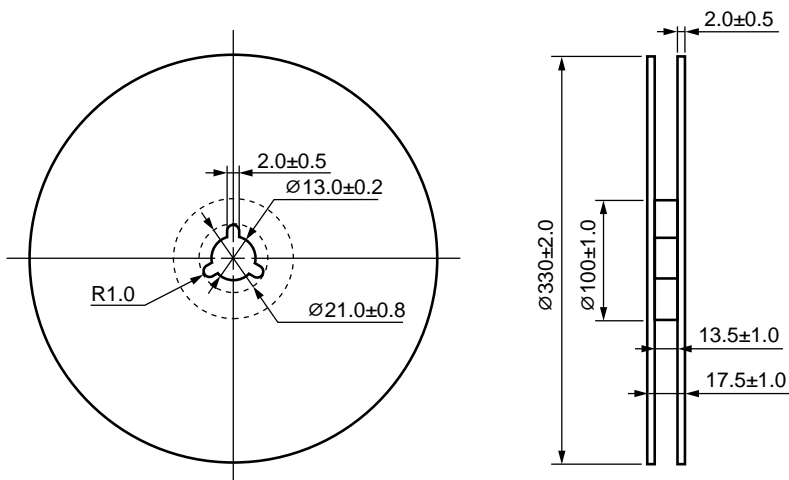
Taping Direction



Outline and Dimensions (Tape)

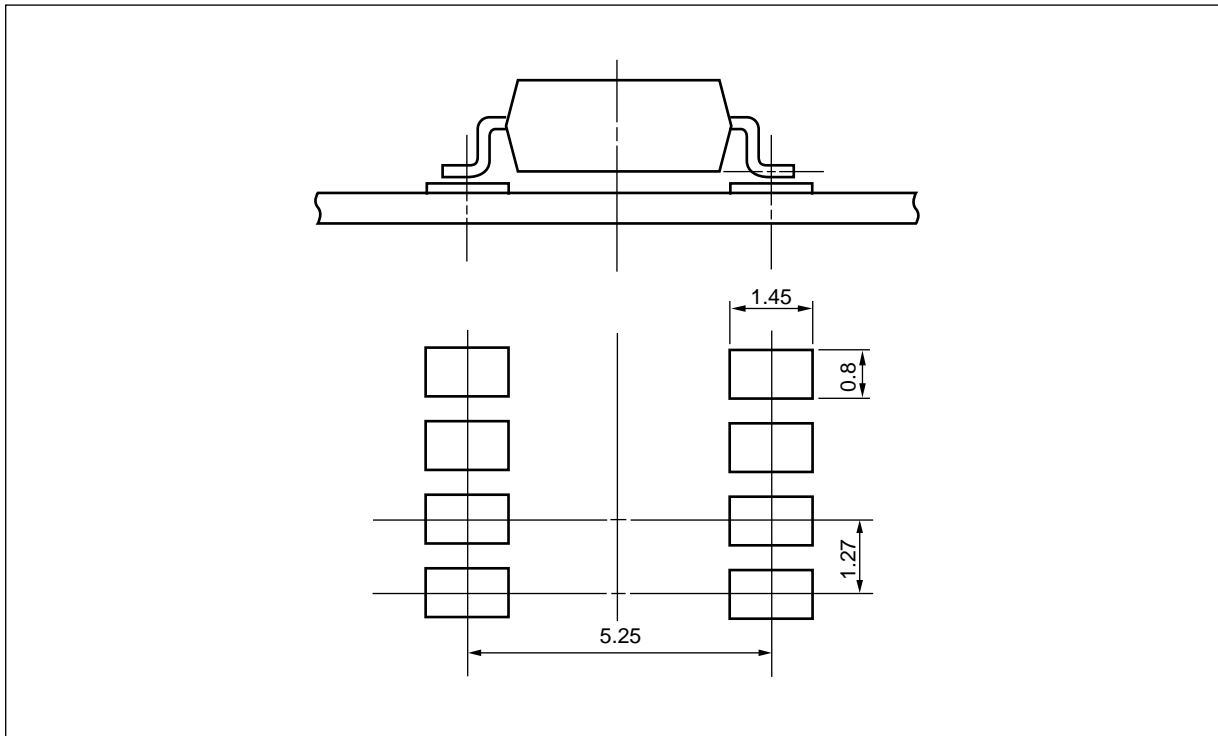


Outline and Dimensions (Reel)



Packing: 1 500 pcs/reel

RECOMMENDED MOUNT PAD DIMENSIONS (UNIT: mm)



Remark All dimensions in this figure must be evaluated before use.

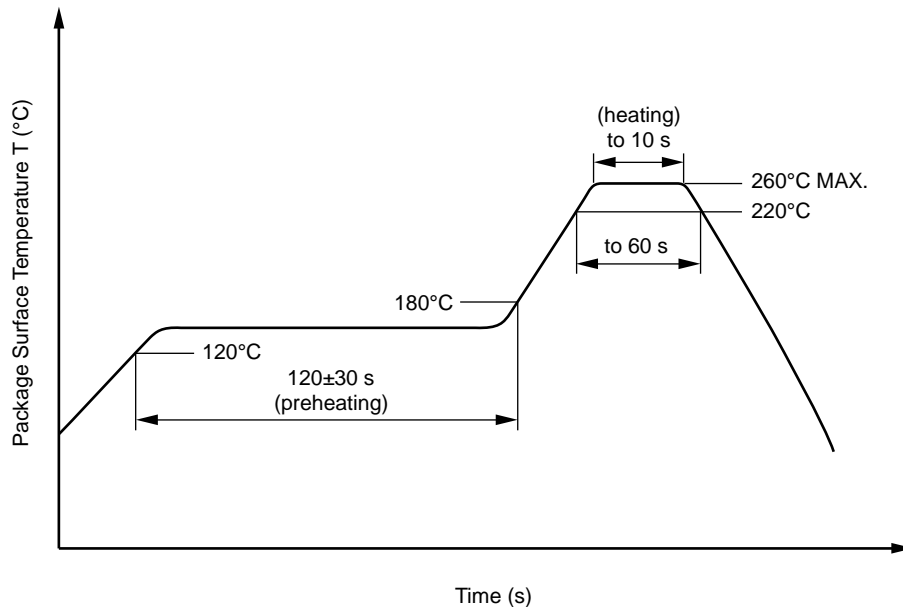
NOTES ON HANDLING

1. Recommended soldering conditions

(1) Infrared reflow soldering

- Peak reflow temperature 260 °C or below (package surface temperature)
- Time of peak reflow temperature 10 seconds or less
- Time of temperature higher than 220 °C 60 seconds or less
- Time to preheat temperature from 120 to 180 °C 120 ± 30 s
- Number of reflows Three
- Flux Rosin flux containing small amount of chlorine (The flux with a maximum chlorine content of 0.2 Wt% is recommended.)

Recommended Temperature Profile of Infrared Reflow



(2) Wave soldering

- Temperature 260 °C or below (molten solder temperature)
- Time 10 seconds or less
- Preheating conditions 120 °C or below (package surface temperature)
- Number of times One (Allowed to be dipped in solder including plastic mold portion.)
- Flux Rosin flux containing small amount of chlorine (The flux with a maximum chlorine content of 0.2 Wt% is recommended.)

(3) Soldering by Soldering Iron

- Peak Temperature (lead part temperature) 350 °C or below
- Time (each pins) 3 seconds or less
- Flux Rosin flux containing small amount of chlorine (The flux with a maximum chlorine content of 0.2 Wt% is recommended.)

(a) Soldering of leads should be made at the point 1.5 to 2.0 mm from the root of the lead

(b) Please be sure that the temperature of the package would not be heated over 100 °C

(4) Cautions

- Flux Cleaning
 - Avoid cleaning with Freon based or halogen-based (chlorinated etc.) solvents.
- Do not use fixing agents or coatings containing halogen-based substances.

2. Cautions regarding noise

Be aware that when voltage is applied suddenly between the photocoupler's input and output or between collector-emitters at startup, the output transistor may enter the on state, even if the voltage is within the absolute maximum ratings.

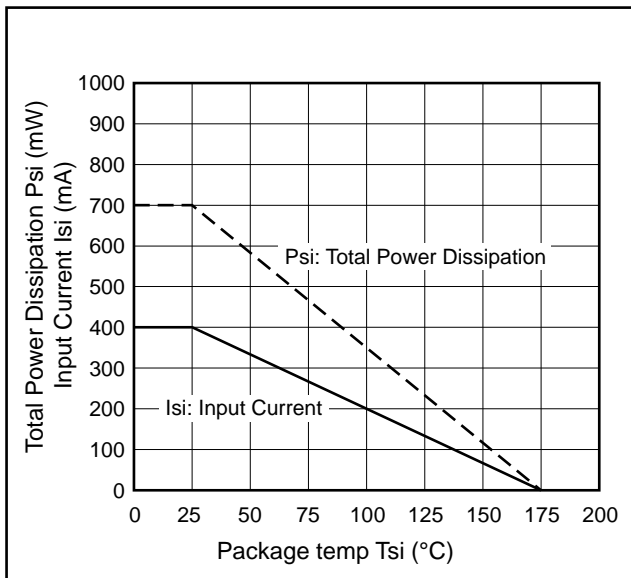
USAGE CAUTIONS

1. This product is weak for static electricity by designed with high-speed integrated circuit so protect against static electricity when handling.
2. By-pass capacitor of 0.1 μ F is used between V_{CC} and GND near device. Also, ensure that the distance between the leads of the photocoupler and capacitor is no more than 10 mm.
3. Avoid storage at a high temperature and high humidity.
4. Avoid cleaning with Freon based or halogen-based (chlorinated etc.) solvents.
5. Do not use fixing agents or coatings containing halogen-based substances.

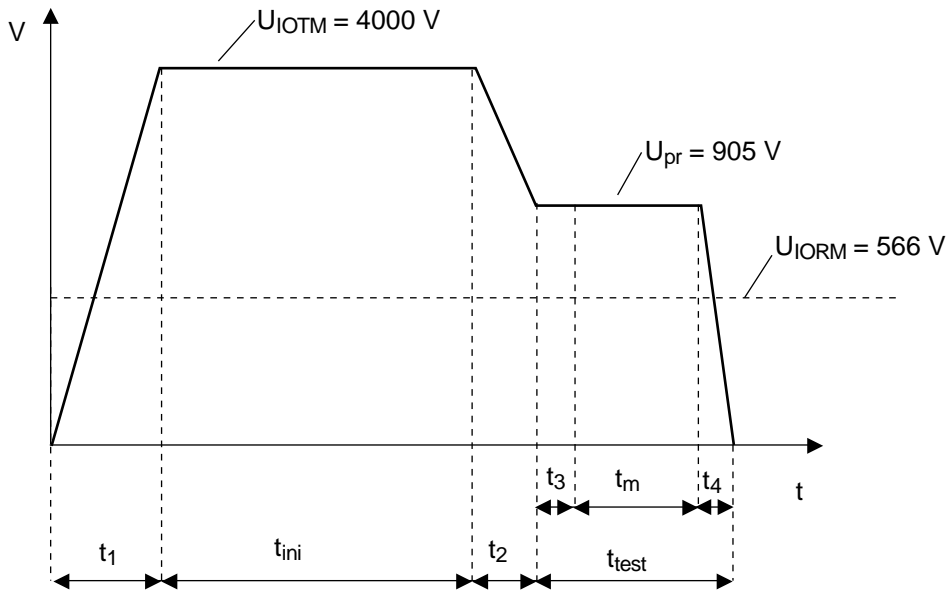
SPECIFICATION OF VDE MARKS LICENSE DOCUMENT

Parameter	Symbol	Rating	Unit
Climatic test class (IEC 60068-1/DIN EN 60068-1)		40/100/21	
Dielectric strength maximum operating isolation voltage Test voltage (partial discharge test, procedure a for type test and random test) $U_{pr} = 1.6 \times U_{IORM}, P_d < 5 \text{ pC}$	U_{IORM} U_{pr}	566 849	V_{peak} V_{peak}
Test voltage (partial discharge test, procedure b for all devices) $U_{pr} = 1.875 \times U_{IORM}, P_d < 5 \text{ pC}$	U_{pr}	1 061	V_{peak}
Highest permissible overvoltage	U_{IOTM}	4 000	V_{peak}
Degree of pollution (IEC 60664-1/DIN EN 60664-1 (VDE 0110-1))		2	
Comparative tracking index (IEC 60112/DIN EN 60112 (VDE 0303-11))	CTI	175	
Material group (IEC 60664-1/DIN EN 60664-1 (VDE 0110-1))		III a	
Storage temperature range	T_{stg}	- 55 to +125	°C
Operating temperature range	T_A	- 40 to +100	°C
Isolation resistance, minimum value $V_{IO} = 500 \text{ V dc at } T_A = 25 \text{ °C}$ $V_{IO} = 500 \text{ V dc at } T_A \text{ MAX. at least } 100 \text{ °C}$	Ris MIN. Ris MIN.	10^{12} 10^{11}	Ω Ω
Safety maximum ratings (maximum permissible in case of fault, see thermal derating curve) Package temperature Current (input current I_F , $P_{si} = 0$) Power (output or total power dissipation) Isolation resistance $V_{IO} = 500 \text{ V dc at } T_A = T_{si}$	T_{si} I_{si} P_{si} Ris MIN.	150 150 600 10^9	°C mA mW Ω

Dependence of maximum safety ratings with package temperature

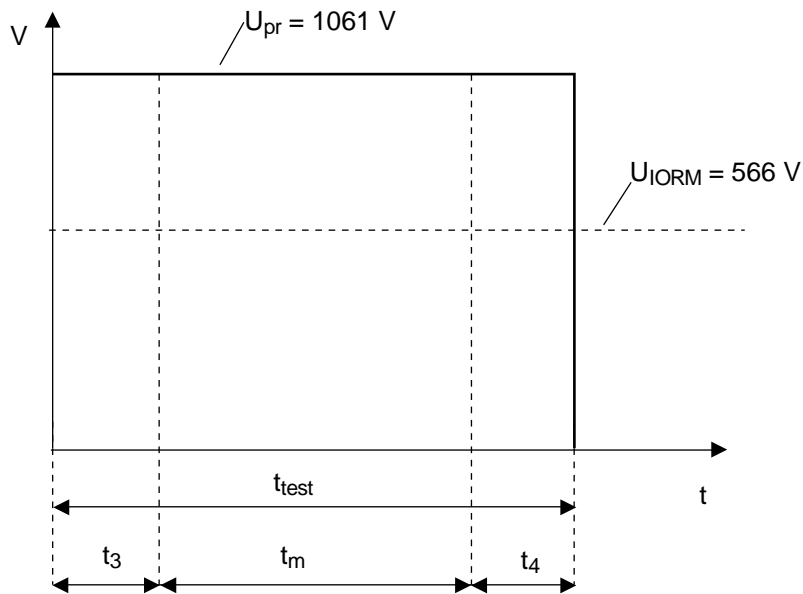


Method a) Destructive Test, Type and Sample Test



$t_1, t_2 = 1\text{ to }10\text{ sec}$
 $t_3, t_4 = 1\text{ sec}$
 $t_m(\text{PARTIAL DISCHARGE}) = 10\text{ sec}$
 $t_{test} = 12\text{ sec}$
 $t_{ini} = 60\text{ sec}$

Method b) Non-destructive Test, 100% Production Test



$t_3, t_4 = 0.1\text{ sec}$
 $t_m(\text{PARTIAL DISCHARGE}) = 1.0\text{ sec}$
 $t_{test} = 1.2\text{ sec}$

Caution	GaAs Products	<p>This product uses gallium arsenide (GaAs). GaAs vapor and powder are hazardous to human health if inhaled or ingested, so please observe the following points.</p> <ul style="list-style-type: none">• Follow related laws and ordinances when disposing of the product. If there are no applicable laws and/or ordinances, dispose of the product as recommended below.<ol style="list-style-type: none">1. Commission a disposal company able to (with a license to) collect, transport and dispose of materials that contain arsenic and other such industrial waste materials.2. Exclude the product from general industrial waste and household garbage, and ensure that the product is controlled (as industrial waste subject to special control) up until final disposal.• Do not burn, destroy, cut, crush, or chemically dissolve the product.• Do not lick the product or in any way allow it to enter the mouth.
----------------	---------------	--

All trademarks and registered trademarks are the property of their respective owners.