

DC/DC Converter for IGBT- or MOSFET Driver Modules

**Weblinks**

[pdf-datasheet](#), [html-datasheet](#), [General Product Information](#), [Approvals](#), [CE declaration of conformity](#), [RoHS](#), [CHINA-RoHS](#), [e-Shop](#), [SCHURTER-Stock-Check](#), [Distributor-Stock-Check](#), [Detailed request for product](#)

Technical Data

Material: Housing

Thermoplastic

Allowable Operation Temp.

-40°C to 85°C

600V IGBT/MOSFET Driver modules with integrated DC/DC converter



PSDM-6O
(Data transfer via transformer)



PSDM-6T
(Data transfer via optocoupler)



Description

- This product is phased-out without alternate type.
- Driver module for safe driving of IGBT or MOSFET power transistors
- DC/DC converter included in module
- Diagnostic output VSM permits monitoring of converter output
- Galvanic isolation up to 3500 VAC
- Overcurrent and short circuit protection

Applications

- Inverters
- Converters
- Motor drives

Web Links

- RoHS: <http://www.schurter.com/rohs>

Standards

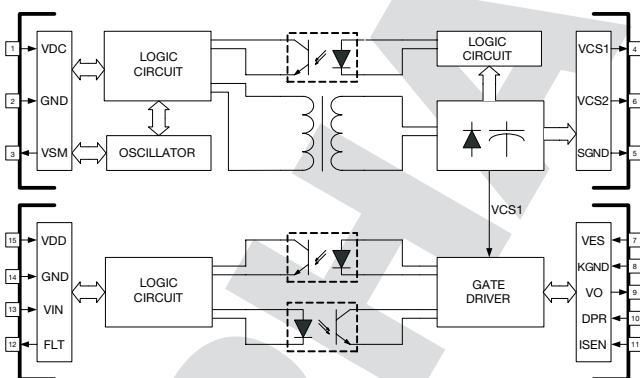
- EN 61248-5
- EN 61558-1

Technical Data

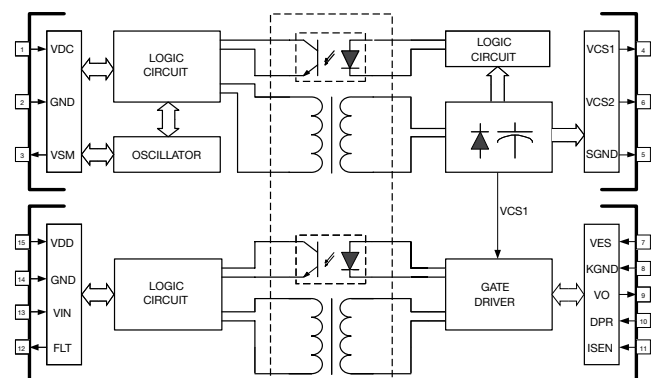
Input voltage	10–15 VDC
Output voltage 1	15 VDC
Output voltage 2	–4 VDC
Output current	120 mA
Isolation voltage	3500 V
Switching frequency DC/DC converter	Up to 500 kHz
Switching frequency driver stage	Up to 100 kHz

Connection method	THT
Weight	25 g
Material (casing)	Plastic, black, UL 94V-0
Sealing compound	UL 94V-0
Ambient temperature	–5 °C bis 85 °C

Block Diagram



PSDM-6O (Optocoupler Version)



PSDM-6T (Transformer Version)