

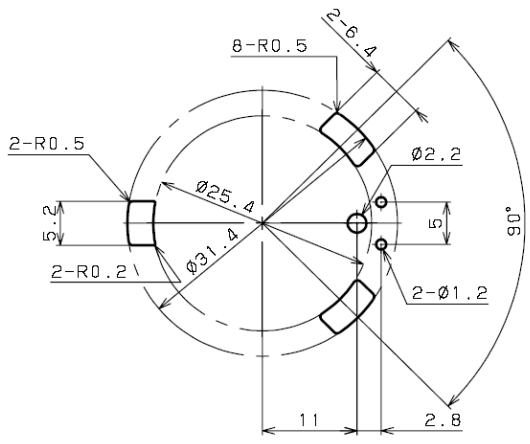
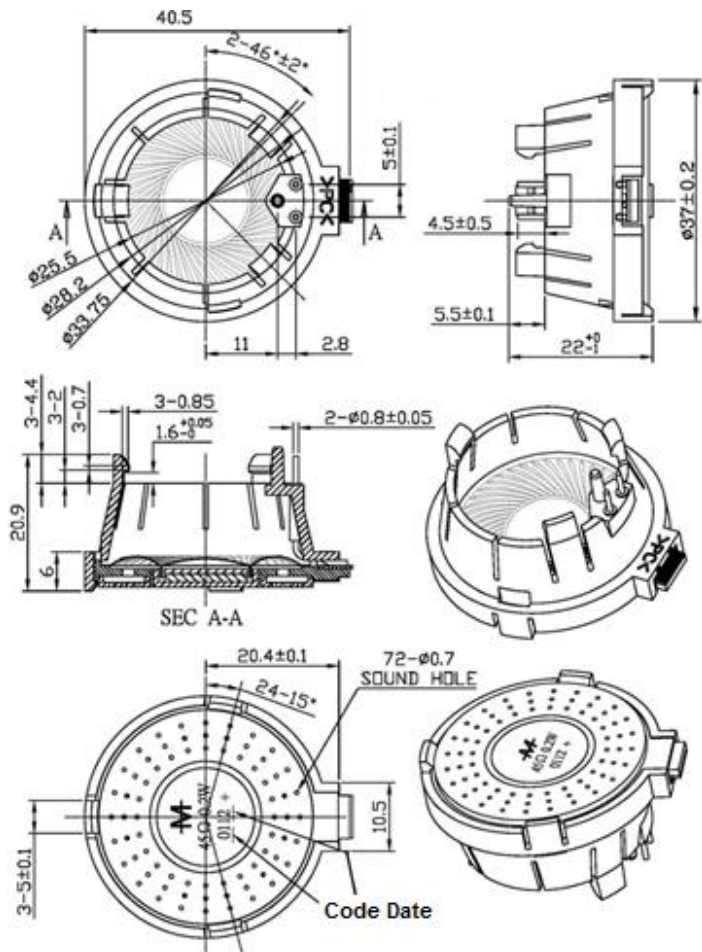
May not be suitable for all medical and aerospace applications.
Specifications: Contact Mallory Sonalert to discuss your application.

Impedance (Ω)	45 \pm 15% at 1500 Hz at 1.0 V
Rated Power (W)	0.2
Max Power (W)	0.4
Resonance Freq Fo (Hz)	480 \pm 20% at 1.0V
Frequency Range (Hz)	Fo ~ 10000
Output S.P.L. (dB)	92 \pm 3 at 0.2w/1m 1.0k, 1.5k, 2.0k, 3.0kHz 79 \pm 3 at 1w/1m 1.0k, 1.5k, 2.0k, 3.0kHz
Magnet Size (mm)	\varnothing 12.5 X 1.2H
Magnet	Nd-Fe-B
Frame Material	PBT
Operating Temp	-40 to 105°C
Weight (g)	9.3
Options	For other options contact factory

Dimensions: ± 0.3 (units: mm)

ROHS Compliant

RECOMMENDED PCB LAYOUT



tolerance ± 0.1
 t = 1.6mm