

PART  
NAME

PLASTIBOX (STYLE A)

PART  
No.

PS-11301

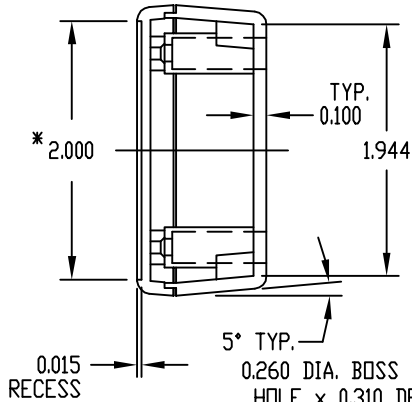
MATERIAL: HIGH-IMPACT ABS  
COLOR: BLACK OR GRAY  
FINISH: TEXTURED BODY WITH  
SMOOTH TOP INSERT

FOUR (4) #4 x 0.250' LG. SCREWS  
SUPPLIED FOR ASSEMBLING TOP.

FOUR (4) NON-SKID PUSH-ON FEET SUPPLIED.

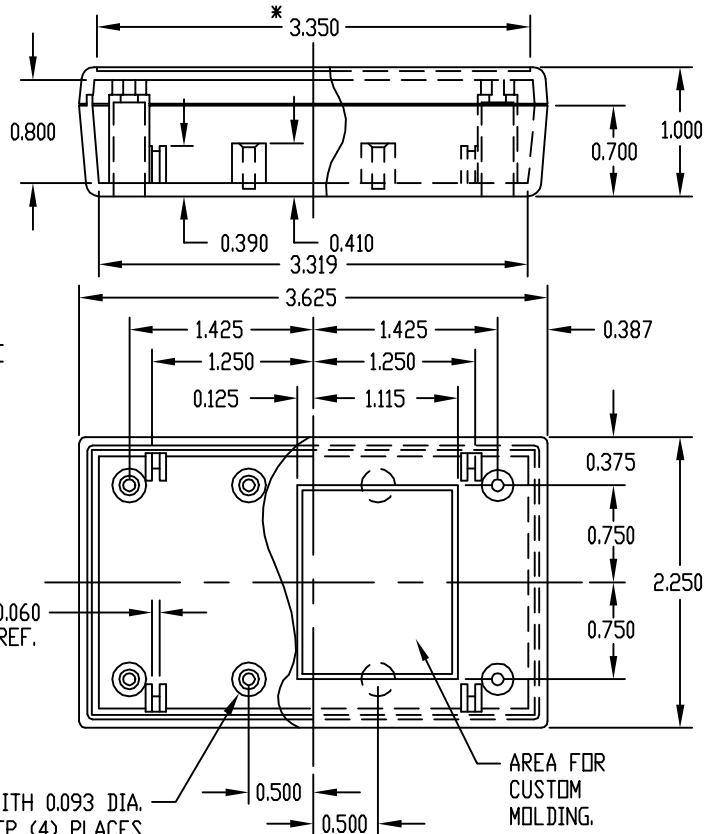
\*-USABLE AREA ON COVER ALSO  
AVAILABLE FOR CUSTOM MOLDING.

NOTE: ALL DIMENSIONS HAVE ±0.015 TOLERANCE  
UNLESS OTHERWISE SPECIFIED.



0.015  
RECESS

0.260 DIA. BOSS WITH 0.093 DIA.  
HOLE x 0.310 DEEP (4) PLACES  
MOUNTING BOSSES USE EITHER M2.5 METRIC  
OR #4 STD. SHEET METAL SCREWS  
x 0.250' LG. (NOT SUPPLIED)



0.060  
REF.

AREA FOR  
CUSTOM  
MOLDING.

PART  
NAME

PLASTIBOX (STYLE A)

PART  
No.

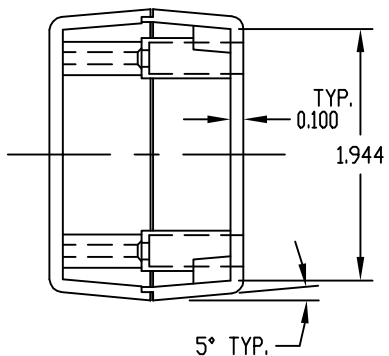
PT-11308

MATERIAL: HIGH-IMPACT ABS  
COLOR: BLACK OR GRAY  
FINISH: TEXTURED BODY  
WITH TEXTURED TOP

FOUR (4) #4 x 0.375' LG. SCREWS  
SUPPLIED FOR ASSEMBLING TOP.

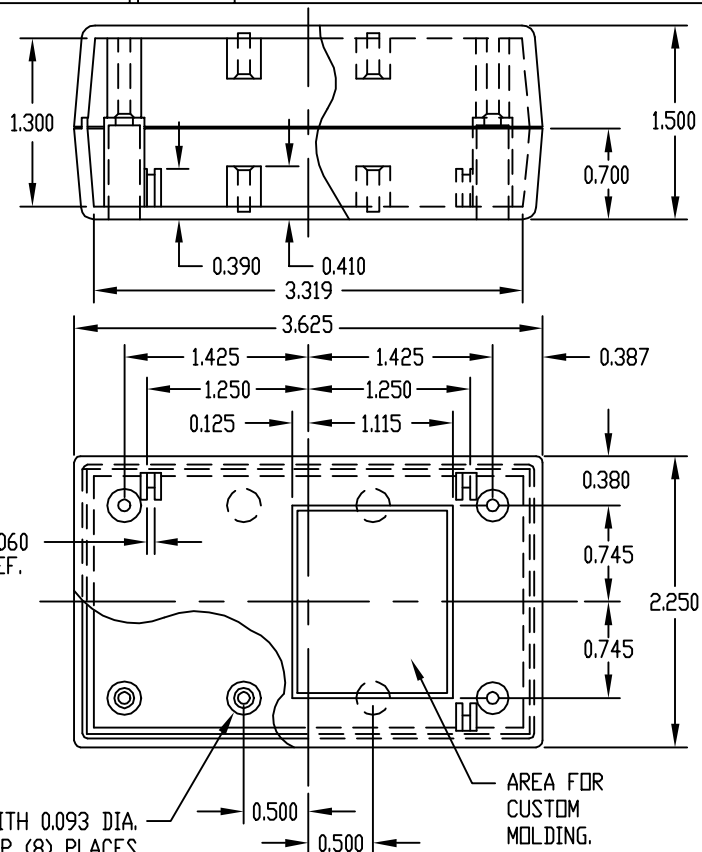
FOUR (4) NON-SKID PUSH-ON FEET SUPPLIED.

NOTE: ALL DIMENSIONS HAVE ±0.015 TOLERANCE  
UNLESS OTHERWISE SPECIFIED.



5° TYP.

0.260 DIA. BOSS WITH 0.093 DIA.  
HOLE x 0.310 DEEP (8) PLACES  
MOUNTING BOSSES USE EITHER M2.5 METRIC  
OR #4 STD. SHEET METAL SCREWS  
x 0.250' LG. (NOT SUPPLIED)



0.060  
REF.

AREA FOR  
CUSTOM  
MOLDING.