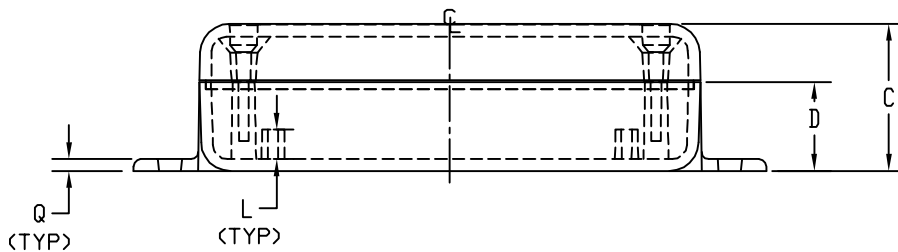
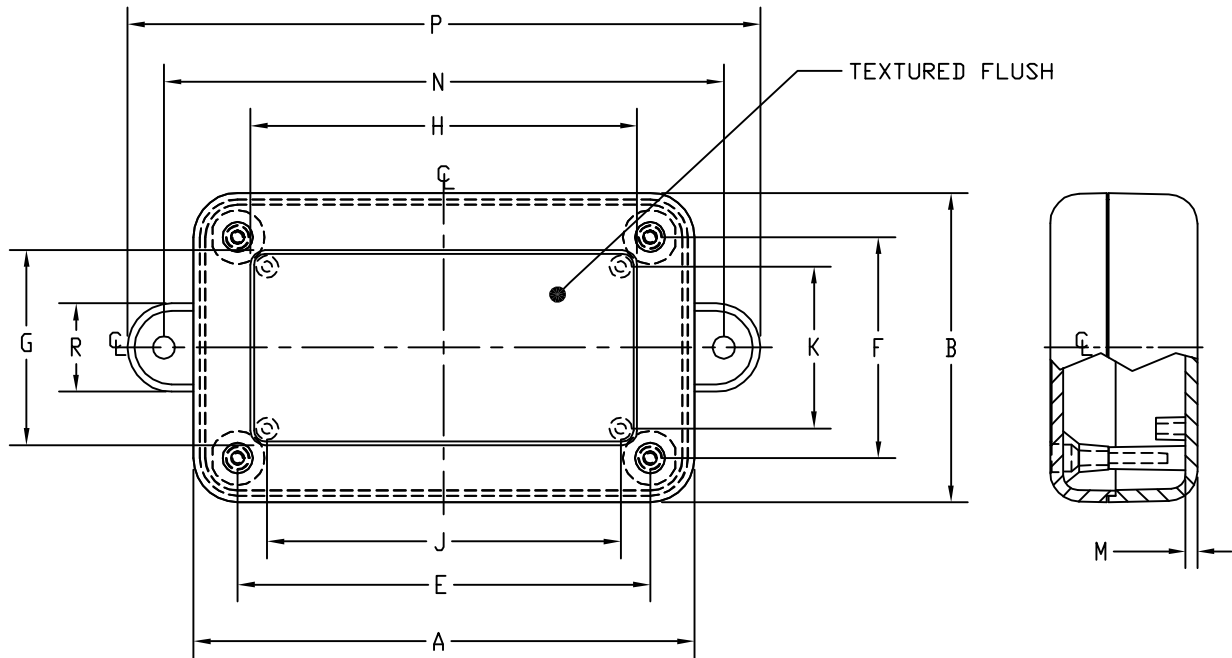


PART NAME

PLASTIBOX (STYLE H)

PART No.

PT-11630-MB TO PT-11668-MB



MATERIAL: ABS THERMOPLASTIC (UL94-5VA RATED)

FINISH: BODY & COVER TEXTURED (OUTSIDE SURFACE)

COLOR: BLACK

FOUR(4) #4 X 0.50 LG SCREWS USED FOR ASSEMBLY (INCLUDED)

MOUNTING BOSSES ARE $\varnothing 0.188$ AND WILL ACCEPT #4 X 0.25 LG SHEET METAL SCREWS (NOT INCLUDED).

MOUNTING HOLES ARE $\varnothing 0.188$.

NOTE: ALL DIMENSIONS HAVE ± 0.010 TOLERANCE UNLESS OTHERWISE SPECIFIED.

PART NO.	A	B	C	D	E	F	G	H	J	K	L	M	N	P	Q	R
PT-11630-MB	4.000	2.062	1.140	0.754	3.375	1.414	1.188	3.156	2.938	0.971	0.250	0.100	4.500	5.104	0.100	0.750
PT-11642-MB	4.250	2.625	1.250	0.754	3.500	1.875	1.655	3.280	3.000	1.375	0.250	0.100	4.750	5.370	0.100	0.750
PT-11653-MB	5.625	3.250	1.140	0.754	4.875	2.500	2.280	4.655	4.375	2.000	0.250	0.100	6.125	6.745	0.100	0.750
PT-11657-MB	5.625	3.250	1.372	0.754	4.875	2.500	2.280	4.655	4.375	2.000	0.250	0.100	6.125	6.745	0.100	0.750
PT-11664-MB	6.016	4.010	1.140	0.754	5.265	3.260	3.040	5.040	4.760	2.755	0.250	0.100	6.520	7.140	0.100	0.750
PT-11668-MB	6.016	4.010	1.500	0.754	5.265	3.260	3.040	5.040	4.760	2.755	0.250	0.100	6.520	7.140	0.100	0.750