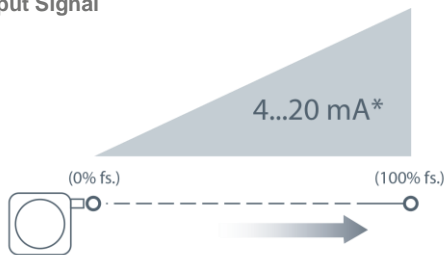


The PT1MA adds 4...20 mA position feedback signal to Celesco's compact line of cable-extension transducers. The PT1MA is available with full stroke ranges from as little as 2 inches on up to 50 inches with adjustable zero and span settings to precisely match the full scale output to your exact measurement range.

The PT1MA offers several options including forward and reverse 0...20 and 4...20 mA output signals, alternate measuring cable exits and a couple different electrical connection options.

Output Signal



*Optional 3-wire, 0...20mA output signal available.

PT1MA

Cable Actuated Sensor Industrial Grade • 4...20mA • 0...20mA

Absolute Linear Position to 50 inches (1270 mm)

Aluminum and Polycarbonate Enclosure

Compact Design

IP65 • NEMA 4 Protection

General

Full Stroke Range	0-2 to 0-50 inches
Output Signal	4...20 mA (2-wire) and 0...20 mA (3-wire)
Accuracy	± 0.28% to ± 0.15% full stroke (see ordering information)
Repeatability	± 0.05% full stroke
Resolution	essentially infinite
Measuring Cable	.019-in. dia. nylon-coated stainless steel
Enclosure	glass-filled polycarbonate and black anodized aluminum
Sensor	plastic-hybrid precision potentiometer
Potentiometer Cycle Life	see ordering information
Maximum Retraction	see ordering information
Acceleration	
Weight	1 lb. max.

Electrical

Input Voltage	see ordering information
Input Current	20 mA max.
Maximum Loop Resistance (Load)	(loop supply voltage - 8)/0.020
Circuit Protection	38 mA max.
Impedance	100M ohms@100 VDC, min.
Signal Adjust, Zero	from factory set zero to 50% of full stroke range
Signal Adjust, Span	to 50% of factory set span
Thermal Effects, Zero	0.01% f.s./°F, max.
Thermal Effects, Span	0.01% f.s./°F, max.

Environmental

Enclosure	NEMA 4, IP 65
Operating Temperature	0° to 200°F (-17° to 90°C)
Vibration	up to 10 g to 2000 Hz maximum

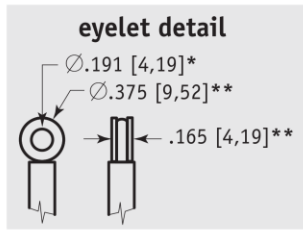
EMC COMPLIANCE PER DIRECTIVE 89/336/EEC

Emission/Immunity	EN50081-2/EN50082-2
--------------------------	---------------------

PT1MA

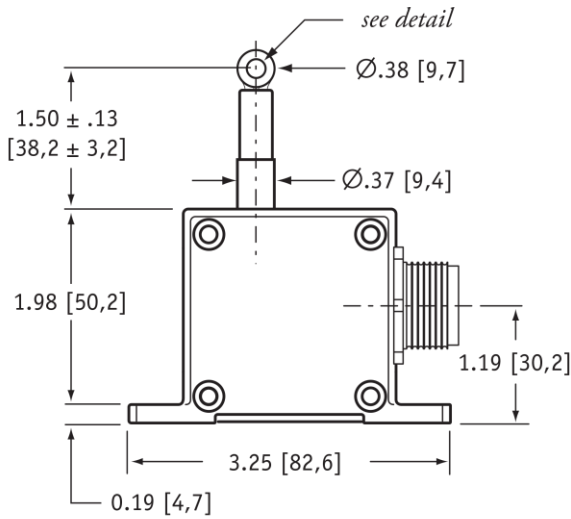
Industrial Grade • 4...20mA • 0...20mA

Outline Drawing

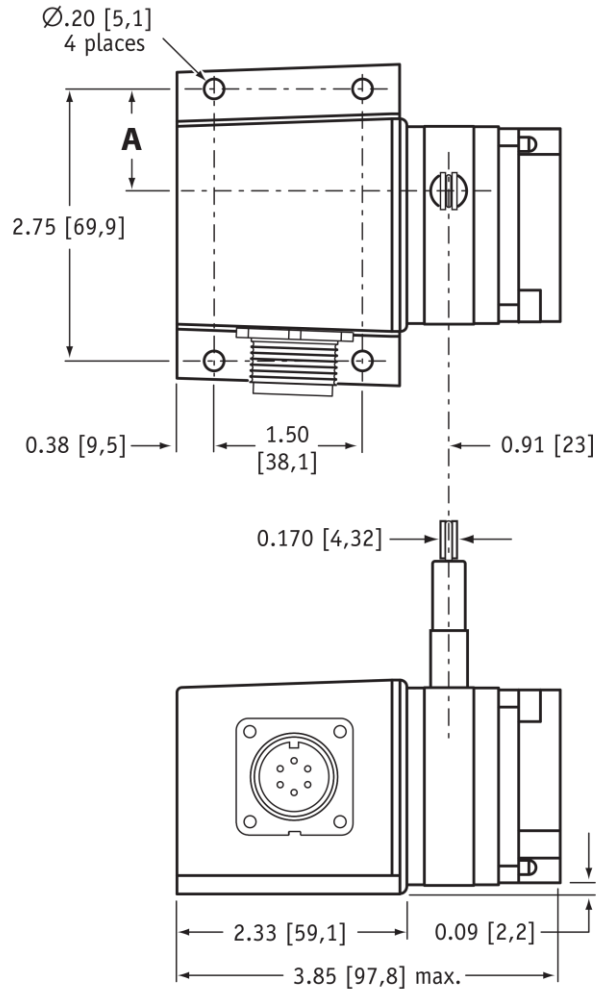


Range	A
2, 10	1.04 [26,4]
5, 25, 50	0.58 [14,7]
15, 30	0.82 [20,8]
20, 40	0.74 [18,8]

inches [mm]



DIMENSIONS ARE IN INCHES [MM]
tolerances are 0.03 IN. [0.5 MM] unless otherwise noted.



* tolerance = +.005 -.001 [+.13 -.03]
** tolerance = +.005 -.005 [+.13 -.13]

Ordering Information

Model Number:

PT1MA - - - - -
order code: **R** **A** **B** **C** **D**

Sample Model Number:

PT1MA - 30 - UP - 420E - MC4 - SG

- R** range: 30 inches
- A** measuring cable exit: up
- B** output signal: 4...20mA
- C** electrical connection: 4-pin micro connector
- D** cable guide: spring-loaded guide

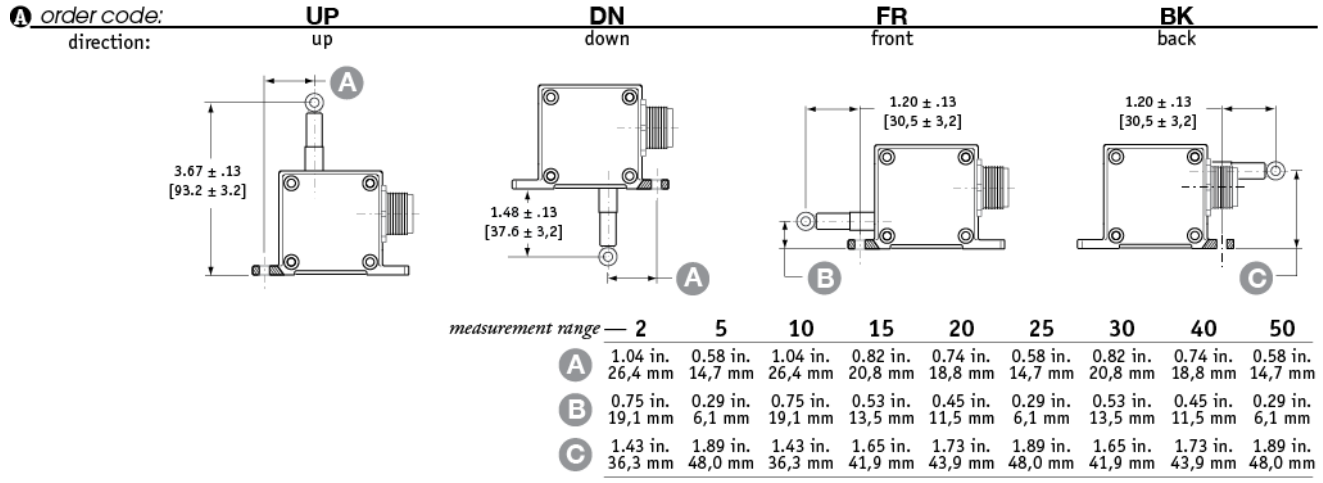
Full Stroke Range:

R order code:	2	5	10	15	20	25	30	40	50
full stroke range, min:	2 in.	5 in.	10 in.	15 in.	20 in.	25 in.	30 in.	40 in.	50 in.
accuracy (% of f.s.):	0.28%			0.18%			0.15%		
potentiometer cycle life:	2,500,000 cycles			500,000 cycles			250,000 cycles		
cable tension (20%):	12 oz.	5 oz.	12 oz.	9 oz.	6 oz.	5 oz.	9 oz.	6 oz.	5 oz.
max. cable acceleration:	11 g	3 g	11 g	5 g	4 g	3 g	5 g	4 g	3 g

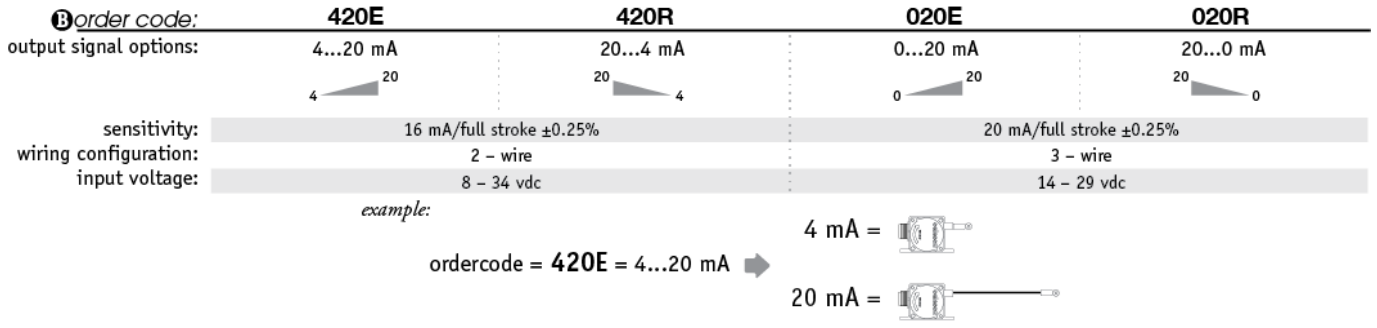
PT1MA

Industrial Grade • 4...20mA • 0...20mA

Cable Exit:



Output Signal:



Electrical Connection:

