

Features

- IEEE 802.3 Ethernet compatible
- Designed for various IC manufacturers
- Fully integrated for adapter, hub and motherboard applications
- RoHS compliant*



This series is Sd M\&R.U not recommended for new designs.

Applications

- LAN (Local Area Network)
- Ethernet

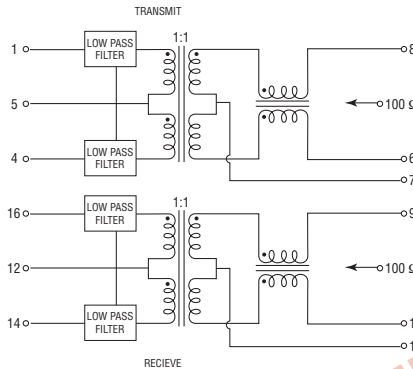
PT61004L LAN 10Base-T Filter Interface

Electrical Specifications @ 25 °C

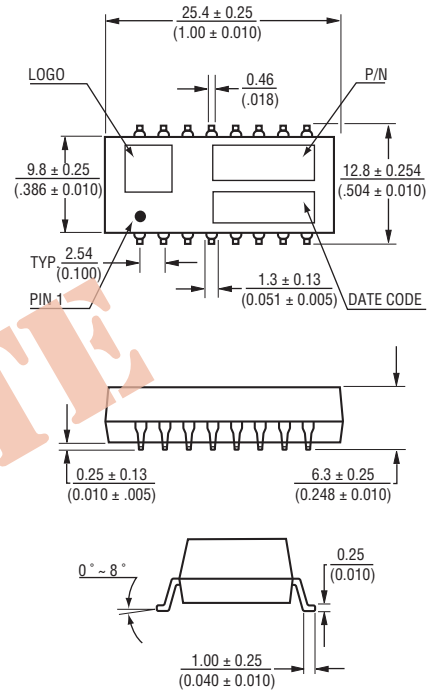
Turns Ratio	
TX $\pm 5\%$	1:1
RX $\pm 5\%$	1:1
Insertion Loss (dB max.)	
1 to 10 MHz.....	-1.0
Cross Talk (dB min.)	
5 to 10 MHz.....	-35
Hipot min. (Vrms).....	
	1500
Attenuation (dB min.)	
30 MHz.....	-30
40 MHz.....	-35
100 MHz.....	-35
Return Loss (dB min.)	
5-10 MHz, 100 Ω	-18
5-10 MHz, 98 $\pm 13 \Omega$	-15
Com Mode Rejection XMIT (dB min.)	
5 MHz.....	-60
10 MHz.....	-60
50 MHz.....	-55
100 MHz.....	-50
200 MHz.....	-45
Operating Temperature....	
	0 °C to +70 °C

Other OCL specifications available on request.

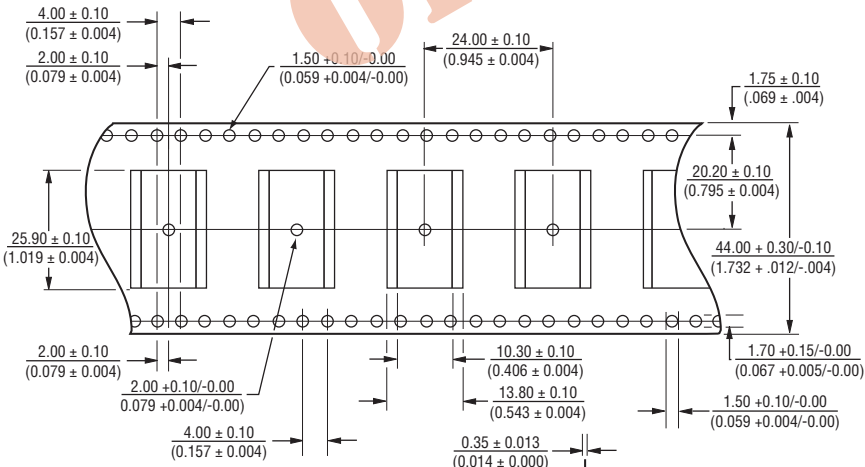
Electrical Schematic



Product Dimensions



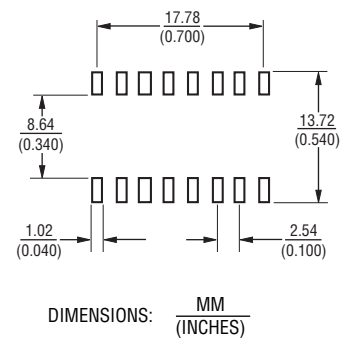
Packaging Specifications



Tube 20 pcs./tube
Tape & Reel* 400 pcs./reel

**"E" suffix before "L" in part number designates tape & reel packaging, e.g. PT61004EL.

Recommended Layout



How To Order

Model **PT61004** **L**
 Packaging _____
 Blank = Packaged in tubes
 E = Tape and reel
 Termination _____
 L = Tin only (RoHS Compliant)

REV. 05/13

*RoHS Directive 2002/95/EC Jan. 27, 2003 including annex and RoHS Recast 2011/65/EU June 8, 2011.

Specifications are subject to change without notice.

The device characteristics and parameters in this data sheet can and do vary in different applications and actual device performance may vary over time. Users should verify actual device performance in their specific applications.