

### Features

- IEEE 802.3 Ethernet compatible
- Designed for AMD IC manufacturers
- Fully integrated for adapter, hub and motherboard applications
- RoHS compliant\*



This series is  $\text{Sd M/R}_U$  not recommended for new designs.

### Applications

- LAN (Local Area Network)
- Ethernet

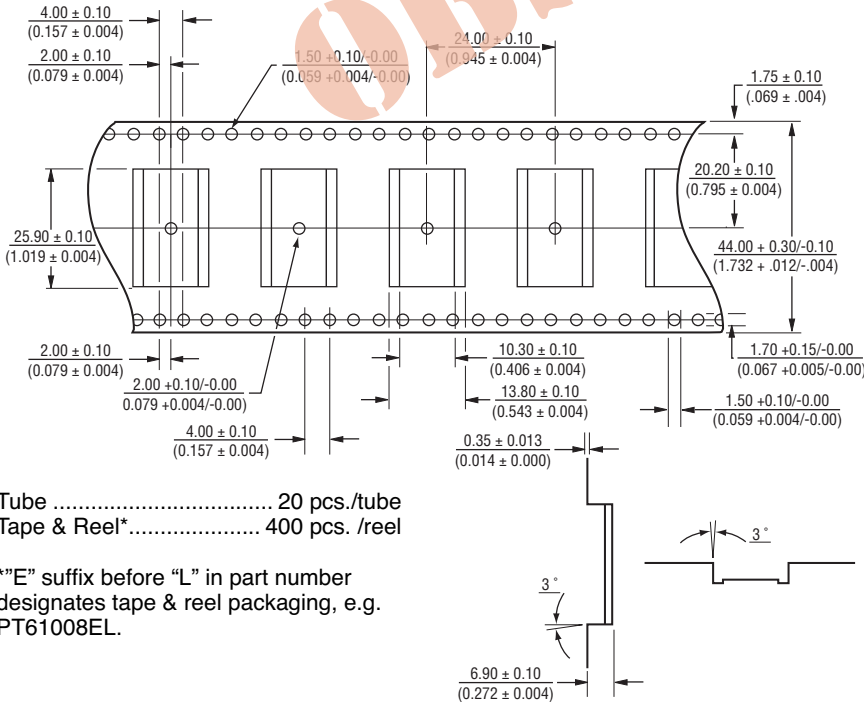
## PT61008L LAN 10Base-T Filter Interface

### Electrical Specifications @ 25 °C

Turns Ratio	
TX $\pm 5\%$	1:1
RX $\pm 5\%$	1:1
Insertion Loss (dB max.)	
1 to 10 MHz	-6.0
Cross Talk (dB min.)	
5 to 10 MHz	-35
Hipot (Vrms min.)	1500
Attenuation (dB min.)	
20 MHz	-5
25 MHz	-11
30 MHz	-16
40 MHz	-26
Return Loss (dB min.)	
5-10 MHz, 100 $\Omega$	-15
5-10 MHz, 98 $\pm 13 \Omega$	-13
Com Mode Rejection (dB min.)	
5-10 MHz	-30
10-50 MHz	-25
Operating Temperature	0 °C to +70 °C

Other OCL specifications available on request.

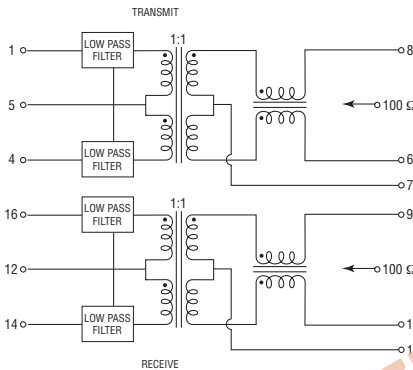
### Packaging Specifications



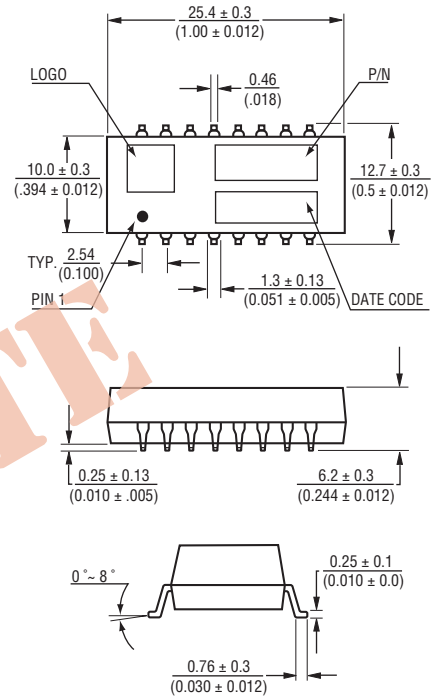
Tube ..... 20 pcs./tube  
Tape & Reel\* ..... 400 pcs./reel

\*"E" suffix before "L" in part number designates tape & reel packaging, e.g. PT61008EL.

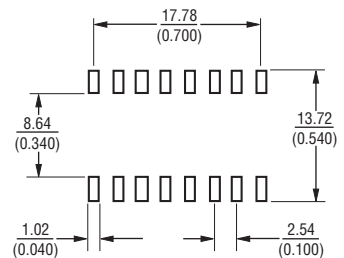
### Electrical Schematic



### Product Dimensions



### Recommended Layout



DIMENSIONS: MM (INCHES)

### How To Order

Model **PT61008** **L**

Packaging \_\_\_\_\_  
Blank = Packaged in tubes  
E = Tape and reel

Termination \_\_\_\_\_  
L = Tin only (RoHS Compliant)

REV. 05/13

\*RoHS Directive 2002/95/EC Jan. 27, 2003 including annex and RoHS Recast 2011/65/EU June 8, 2011. Specifications are subject to change without notice.

The device characteristics and parameters in this data sheet can and do vary in different applications and actual device performance may vary over time. Users should verify actual device performance in their specific applications.