

Features

- IEEE 802.3 Ethernet compatible
- Designed for AMD IC manufacturers
- Fully integrated for adapter, hub and motherboard applications
- RoHS compliant*



This series is $\text{Sd M} \backslash \text{R} \backslash \text{U}$ not recommended for new designs.

Applications

- LAN (Local Area Network)
- Ethernet

PT61010L LAN 10Base-T

Electrical Specifications @ 25 °C

Turns Ratio
 TX $\pm 5\%$ 1CT*:2CT*
 RX $\pm 5\%$ 1CT*:1CT*
 OCL ($\mu\text{H min}$) 112
 Interwinding Capacitance
 Cww (pF max.) 8
 Leakage Inductance Ls ($\mu\text{H max.}$) 0.3
 Hipot 60 sec. (Vrms) 1500
 DCR ($\Omega \text{ max.}$) 0.8
 Operating Temperature.... 0 °C to +70 °C

*CT: Center tap

Other OCL specifications available on request.

Packaging Specifications

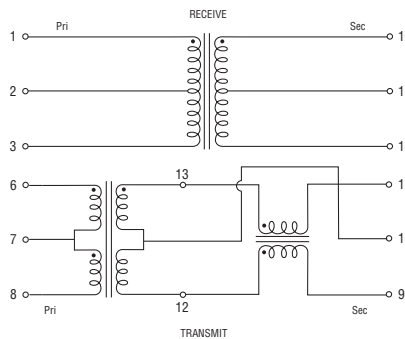
Tube 50 pcs./tube
 Tape & Reel* 750 pcs./reel

**"E" suffix before "L" in part number designates tape & reel packaging, e.g. PT61010EL.

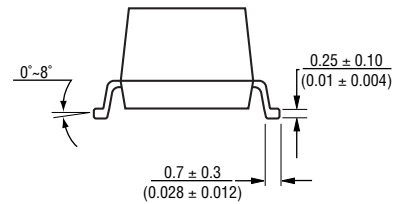
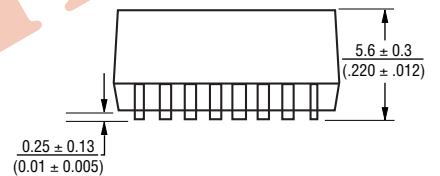
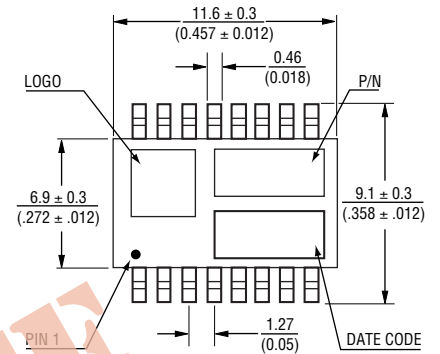
How To Order

Model PT61010 L
 Packaging _____
 Blank = Packaged in tubes
 E = Tape and reel
 Termination _____
 L = Tin only (RoHS Compliant)

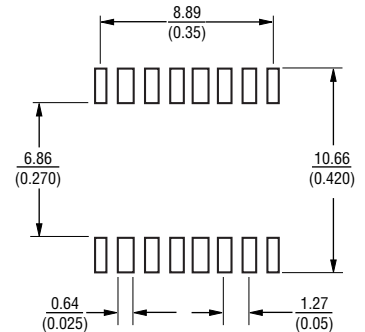
Electrical Schematic



Product Dimensions



Recommended Layout



DIMENSIONS: $\frac{\text{MM}}{\text{(INCHES)}}$

REV. 05/13

*RoHS Directive 2002/95/EC Jan. 27, 2003 including annex and RoHS Recast 2011/65/EU June 8, 2011. Specifications are subject to change without notice.

The device characteristics and parameters in this data sheet can and do vary in different applications and actual device performance may vary over time. Users should verify actual device performance in their specific applications.