



Features

- IEEE 802.3 Ethernet compatible
- Fully integrated for adapter, hub and motherboard applications
- Extended temperature range: -40 to +85 °C
- AEC-Q200 Qualified.
- RoHS compliant*

PT61018AAPL-S - 10/100 Base-T Transformer

Electrical Specifications @ 25 °C

Inductance - OCL	350 μ H min. @ 100 kHz, 0.1 Vrms, 8 mA DC Bias
Turns Ratio (\pm 5%)	1CT*:1CT*
DCR	1.2 Ω Max.
Insertion Loss	
1-100 MHz	-1.15 dB Max.
Return Loss	
1-30 MHz	-18 dB Min.
30-60 MHz	-13 dB Min.
60-80 MHz	-12 dB Min.
Common Mode Rejection	
1-60 MHz	-37 dB Min.
60-100 MHz	-28 dB Min.
Cross Talk	
1-60 MHz	-40 dB Min.
60-100 MHz	-35 dB Min.
Hipot	
@ 1 mA, 60 sec.	1.5k Vrms
Operating Temperature	-40 to +85 °C
Storage Temperature	-40 to +125 °C

*CT: Center tap

Material

Termination.....Cu/Ni/Sn

Packaging Specifications

Tape & Reel..... 600 pcs./reel

How To Order

PT61018A A P E L-S

Model	PT61018A
AEC-Q200 Qualified	A
Automotive Grade	P
Construction	E
P = Potted	
Packaging	L
E = Tape and Reel (600 pcs./reel)	
Termination	S
L = Cu/Ni/Sn (RoHS Compliant)	
Version	
-S = Standard Version	

BOURNS®

Asia-Pacific:

Tel: +886-2 2562-4117
Email: asiacus@bourns.com

Europe:

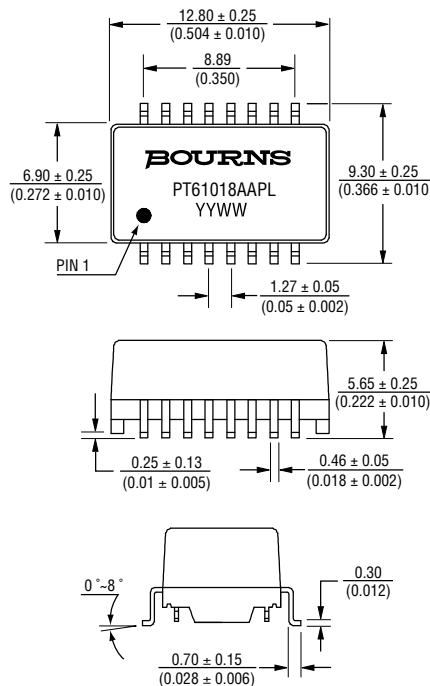
Tel: +36 88 520 390
Email: eurocus@bourns.com

The Americas:

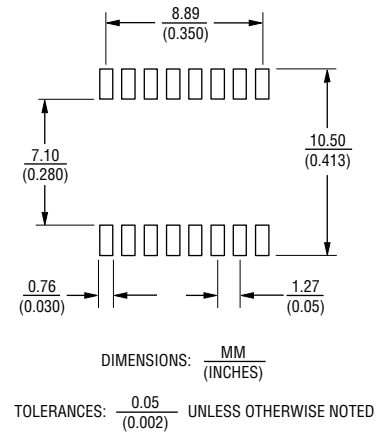
Tel: +1-951 781-5500
Email: americus@bourns.com

www.bourns.com

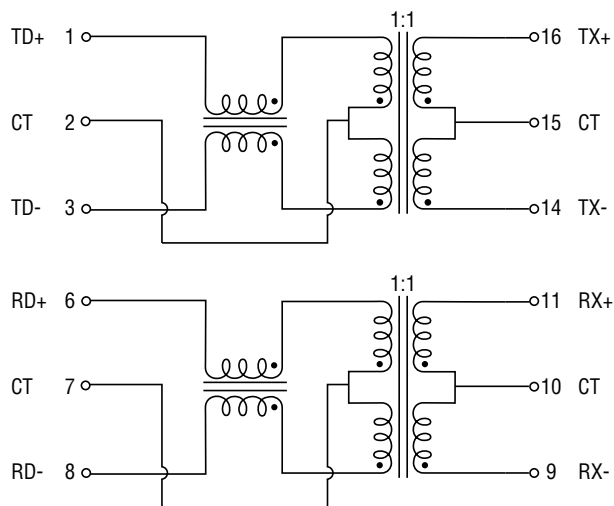
Product Dimensions



Recommended Layout



Electrical Schematic



WARNING Cancer and Reproductive Harm - www.P65Warnings.ca.gov

*RoHS Directive 2002/95/EC Jan. 27, 2003 including annex and RoHS Recast 2011/65/EU June 8, 2011.

Specifications are subject to change without notice.

Users should verify actual device performance in their specific applications.

The products described herein and this document are subject to specific legal disclaimers as set forth on the last page of this document, and at www.bourns.com/docs/legal/disclaimer.pdf

