

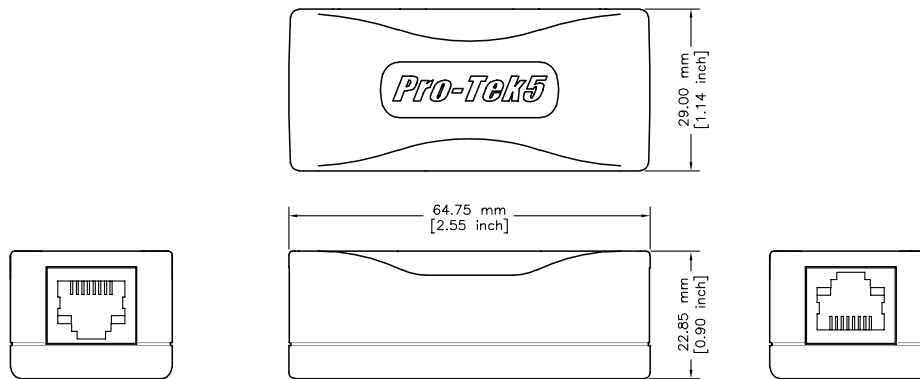
PRO-TEK5

Intra-Building Lightning Strike Protector

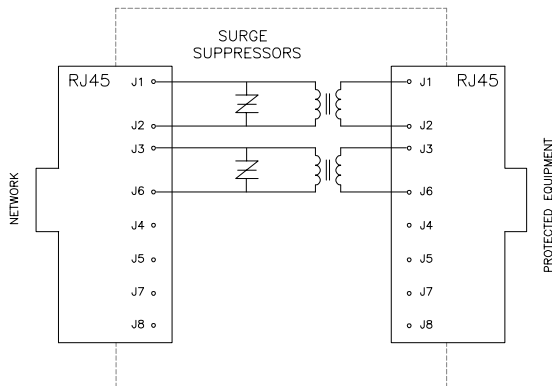
The PTG-2T series of lightning strike protector provides GR1089 Intra-building compliant common and differential protection to each of the data pairs in an easy-to-use, in-line design. The Pro-Tek5 Systems lightning strike protector series has been designed to meet the return loss requirements of IEEE802.3 enabling full transmit and receive communication distances.



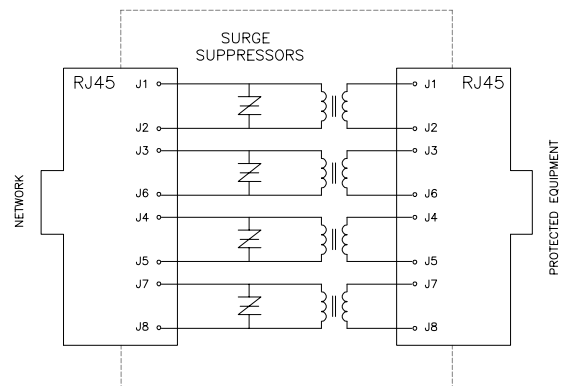
Mechanical Drawing



Circuit Drawings



Circuit A



Circuit B

1.5KV Isolation
UL94-V0 materials.

<i>Pro-Tek5 Systems P/N</i>	<i>Application</i>	<i>Operating Temp.</i>	<i>Circuit</i>
PTG-2T101007	10BASE-T, 10/100BASE-TX	-40 / +85C	A
PTG-2T1G0008	Gigabit 1000BASE-T	-40 / +55C	B

Pro-Tek5 Systems, Ltd. products are available exclusively through Halo Electronics, Inc. For more information, please contact Halo Electronics, Inc. at www.haloelectronics.com or contact your local HALO representative or distributor.