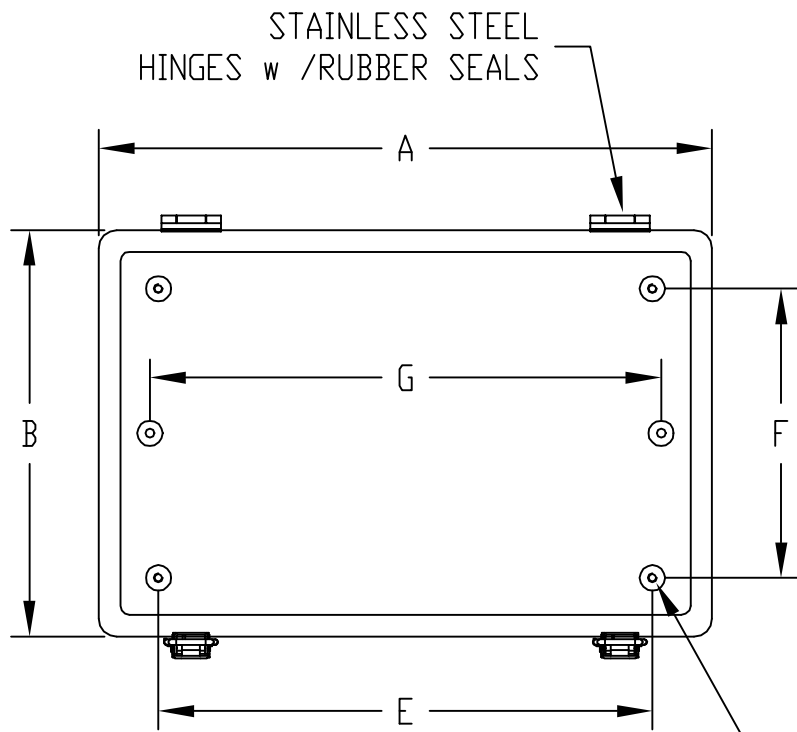


BUD	PART NAME	PTH SERIES NEMA 4X PLASTIC BOX STANDARD ORIENTATION (HINGED ON LONG SIDE)	PART No.	PTH-22422 THRU PTH-22422-C	PTH-22512 THRU PTH-22512-C	REV. DATE	12-1-17

DRAWING FOR REFERENCE  
 WE RESERVE THE RIGHT TO MAKE CHANGES TO OUR  
 STANDARD PRODUCTS. PLEASE CONSULT WITH BUD INDUSTRIES  
 PRIOR TO USING THIS DRAWING FOR DESIGN PURPOSE.

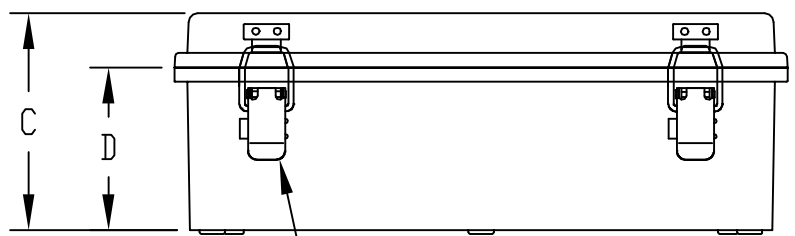
NOTES:

- MATERIAL: BODY - GRAY POLYCARBONATE RESIN 10% GLASS FIBER FILLED  
COVER - GRAY POLYCARBONATE OR CLEAR (-C SUFFIX) POLY-CARBONATE
- UL508 / NEMA TYPE 4X WITH IP-67 TUV RATING & UL-94 5VA
- CONTINUOUS Poured NEOPRENE GASKET IN COVER
- SUPPLIED WITH TWO OR FOUR M5 x 8mm LG. TRUSS HEAD ZINC PLATED STEEL SCREWS (ITEMS NOT SHOWN)
- DIMENSIONS ARE INCH [MM]
- OPTIONAL ACCESSORIES NOT INCLUDED:  
INTERNAL MOUNTING PLATES 16 GA STEEL OR ABS  
EXTERNAL MOUNTING BRACKETS NBX-10922 (STAINLESS STEEL) OR PIX-4117 (GRAY POLY-CARBONATE RESIN 10% GLASS FIBER FILLED)

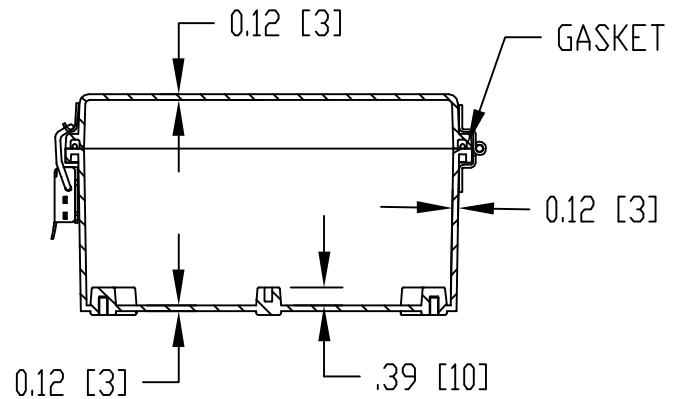


INSIDE VIEW OF BODY  
COVER NOT SHOWN

M5 THREADED BRASS INSERT  
NICKEL PLATED  
(2X) OR (4X)



STAINLESS STEEL LOCKING LATCHES w /RUBBER SEALS  
(SEE TABLE FOR QTY.)



PART NO.		DIMENSIONS							LATCH QTY.
		A	B	C	D	E	F	G	
PTH-22422	PTH-22422-C	10.87 [276]	8.86 [225]	4.72 [120]	3.54 [90]	8.27 [210]	6.30 [160]	---	2
PTH-22426	PTH-22426-C	11.81 [300]	7.87 [200]	7.09 [180]	5.91 [150]	8.90 [226]	5.08 [129]	---	2
PTH-22428	PTH-22428-C	13.78 [350]	9.84 [250]	5.91 [150]	4.72 [120]	10.63 [270]	7.09 [180]	---	2
PTH-22430	PTH-22430-C	15.75 [400]	11.81 [300]	5.91 [150]	4.72 [120]	12.76 [324]	8.98 [228]	---	2
PTH-22432	PTH-22432-C	15.75 [400]	11.81 [300]	7.09 [180]	5.91 [150]	12.76 [324]	8.98 [228]	---	2
PTH-22436	PTH-22436-C	17.72 [450]	13.78 [350]	7.87 [200]	6.69 [170]	14.33 [364]	10.79 [274]	---	2
PTH-22438	PTH-22438-C	19.76 [502]	15.83 [402]	7.99 [203]	6.69 [170]	16.85 [428]	12.91 [328]	---	2
PTH-22440	PTH-22440-C	23.70 [602]	15.83 [402]	9.21 [234]	7.87 [200]	20.67 [525]	12.91 [328]	---	3
PTH-22442	PTH-22442-C	7.48 [190]	7.48 [190]	5.04 [128]	3.86 [98]	4.72 [120]	4.72 [120]	---	1
PTH-22446	PTH-22446-C	11.02 [280]	7.48 [190]	7.09 [180]	5.91 [150]	20.67 [525]	12.91 [328]	---	2
PTH-22448	PTH-22448-C	14.96 [380]	7.48 [190]	5.04 [128]	3.86 [98]	4.72 [120]	12.20 [310]	---	2
PTH-22450	PTH-22450-C	14.96 [380]	7.48 [190]	7.09 [180]	5.91 [150]	12.19 [309]	4.72 [120]	---	2
PTH-22456	PTH-22456-C	14.96 [380]	11.02 [280]	7.01 [178]	5.83 [148]	12.24 [311]	8.27 [210]	---	2
PTH-22458	PTH-22458-C	22.05 [560]	11.02 [280]	5.12 [130]	3.94 [100]	19.76 [502]	8.27 [210]	---	3
PTH-22460	PTH-22460-C	16.93 [430]	13.00 [330]	7.09 [180]	5.91 [150]	14.17 [360]	10.22 [260]	14.75 [375]	2
PTH-22462	PTH-22462-C	22.05 [560]	14.96 [380]	7.01 [178]	5.83 [148]	19.29 [490]	12.20 [310]	---	2
PTH-22480	PTH-22480-C	9.84 [250]	3.15 [80]	3.35 [85]	1.97 [50]	7.87 [200]	1.59 [40]	8.65 [220]	2
PTH-22490	PTH-22490-C	6.70 [170]	5.51 [140]	3.74 [95]	2.95 [75]	4.54 [115]	1.97 [50]	5.12 [130]	2
PTH-22492	PTH-22492-C	9.06 [230]	5.51 [140]	3.74 [95]	2.95 [75]	6.90 [175]	3.94 [100]	7.87 [200]	2
PTH-22496	PTH-22496-C	7.87 [200]	5.91 [150]	2.95 [75]	2.17 [55]	---	---	6.30 [160]	2
PTH-22498	PTH-22498-C	7.87 [200]	5.91 [150]	3.94 [100]	3.15 [80]	---	---	6.30 [160]	2
PTH-22502	PTH-22502-C	7.87 [200]	5.91 [150]	6.30 [160]	4.33 [110]	---	---	6.30 [160]	2
PTH-22506	PTH-22506-C	9.84 [250]	5.91 [150]	5.12 [130]	3.15 [80]	---	---	8.27 [210]	2
PTH-22510	PTH-22510-C	7.87 [200]	7.87 [200]	6.30 [160]	5.51 [140]	5.91 [150]	4.72 [120]	6.30 [160]	2
PTH-22512	PTH-22512-C	9.06 [230]	8.27 [210]	3.94 [100]	3.15 [80]	7.09 [180]	6.30 [160]	7.09 [180]	1