



PART NAME

NEMA 4X PLASTIC BOX (PTK SERIES)

PART No.

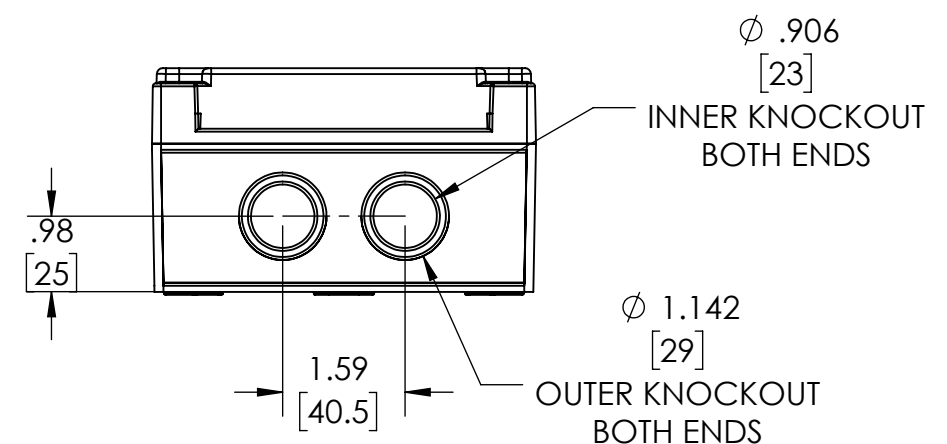
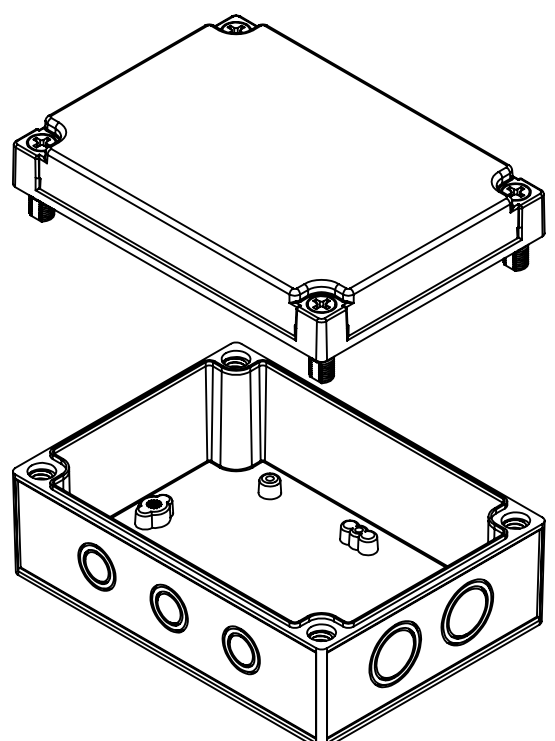
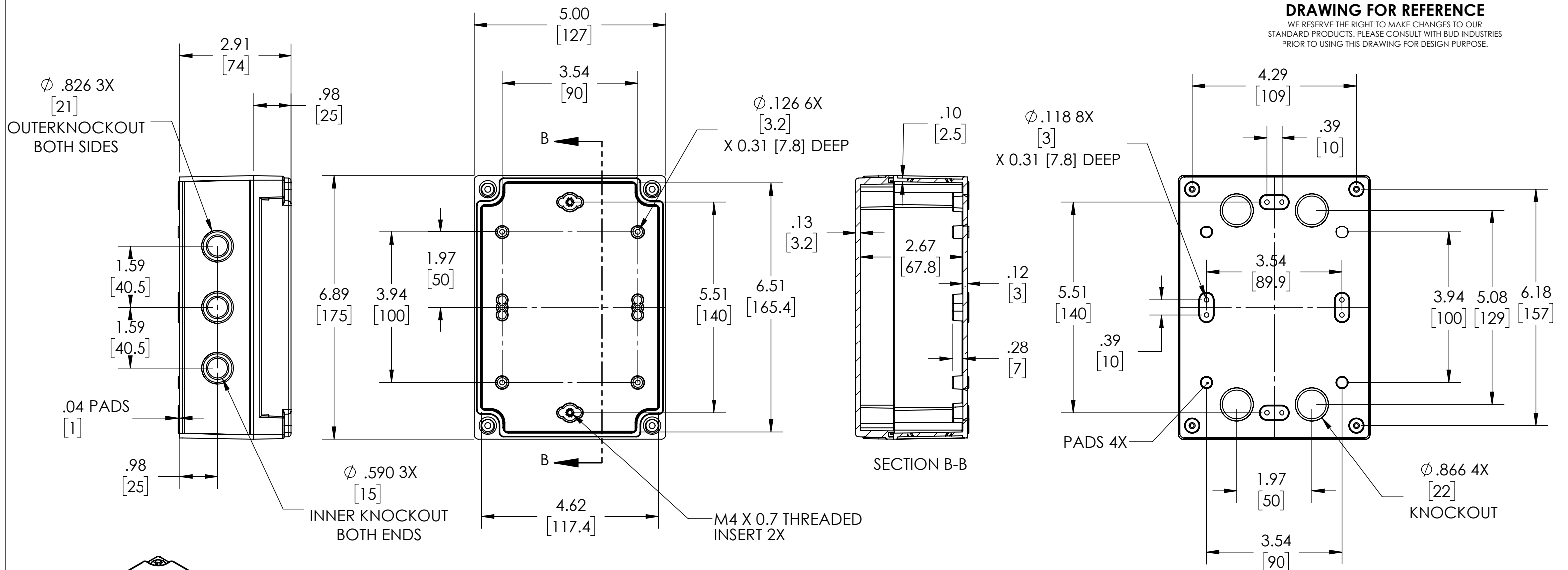
PTK-18428 & PTK-18428-C

REVISION DATE

10-19-17

DRAWING FOR REFERENCE

WE RESERVE THE RIGHT TO MAKE CHANGES TO OUR STANDARD PRODUCTS. PLEASE CONSULT WITH BUD INDUSTRIES PRIOR TO USING THIS DRAWING FOR DESIGN PURPOSE.



- NOTES:
- 1- MATERIAL: BODY - GRAY POLYCARBONATE RESIN 10% GLASS FIBER FILLED
COVER - GRAY OR CLEAR (-C SUFFIX) POLYCARBONATE
 - 2- UL508 / NEMA TYPE 4X & TYPE 6 WITH IP-67 TUV RATING & UL-94 5VA
 - 3- CONTINUOUS Poured FOAM GASKET IN COVER
 - 4- COVER ATTACHES WITH NON-METALLIC CAPTIVE SCREWS
 - 5- SUPPLIED WITH TWO M4 x 8mm LG. TRUSS HEAD ZINC PLATED STEEL SCREWS (ITEMS NOT SHOWN)
 - 6- DIMENSIONS ARE INCH [MM]

- OPTIONAL ACCESSORIES:
- INTERNAL STEEL PANEL #PTX-18428
 - INTERNAL PLASTIC PANEL #PTX-18428-P
 - MOUNTING BRACKET KIT (STAINLESS STEEL) - #NBX-10922
 - MOUNTING BRACKET KIT (PLASTIC) #PIX-4117