



SERIES: PTN15 | DESCRIPTION: ROTARY POTENTIOMETER

FEATURES

- 15mm
- carbon element
- dust proof enclosure
- multiple rotor options
- linear, logarithmic, and reverse logarithmic tapers



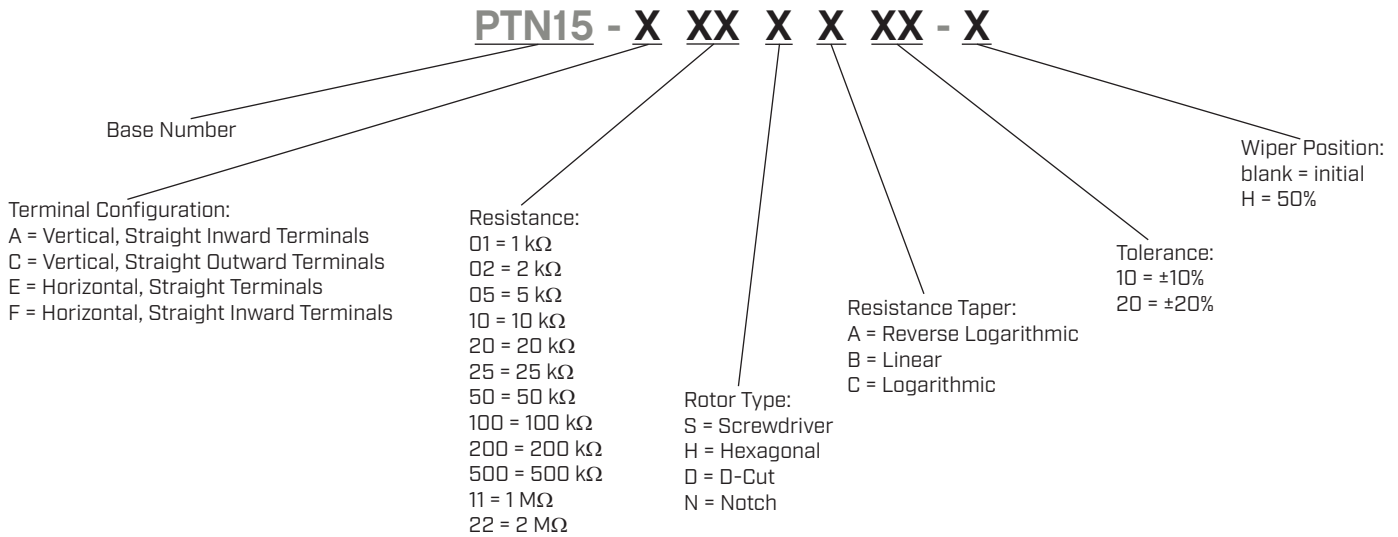
SPECIFICATIONS

parameter	conditions/description	min	typ	max	units
maximum operating voltage				300	Vdc
power rating	at 70°C			0.2	W
taper	linear, logarithmic, and reverse logarithmic				
standard resistance range	see Resistance Table	1.0		2,000	kΩ
standard resistance tolerance	±10% or ±20%, see Part Number Key				
residual resistance				10	Ω
sliding noise				68	mV
operating temperature		-10		70	°C
hand soldering	for 3 seconds max			350	°C
wave soldering	for 5±1 seconds	255	260	265	°C
RoHS	yes				

MECHANICAL

parameter	conditions/description	min	typ	max	units
mechanical angle		255	265	275	°
rotational torque		10		80	gf-cm
stop strength		1,000			gf-cm
rotational life				10,000	cycles
weight		1.29	1.32	1.35	g

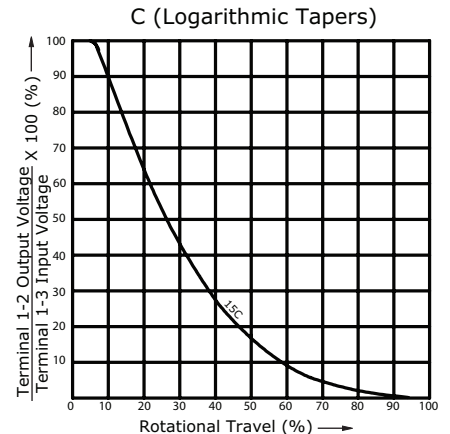
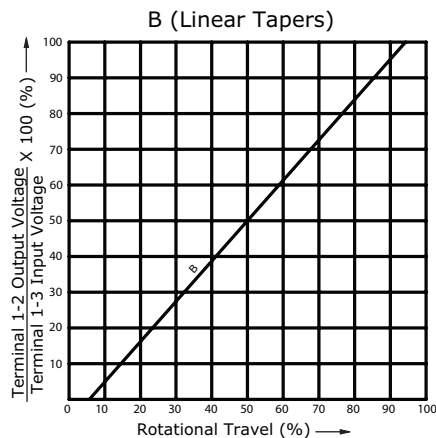
PART NUMBER KEY



SCHEMATIC/TAPERS



Resistance Table	
Resistance [KΩ]	Code
1	01
2	02
5	05
10	10
20	20
25	25
50	50
100	100
200	200
500	500
1,000	11
2,000	22



ROTOR TYPE

units: mm
tolerance: ±0.3 mm
unless otherwise noted

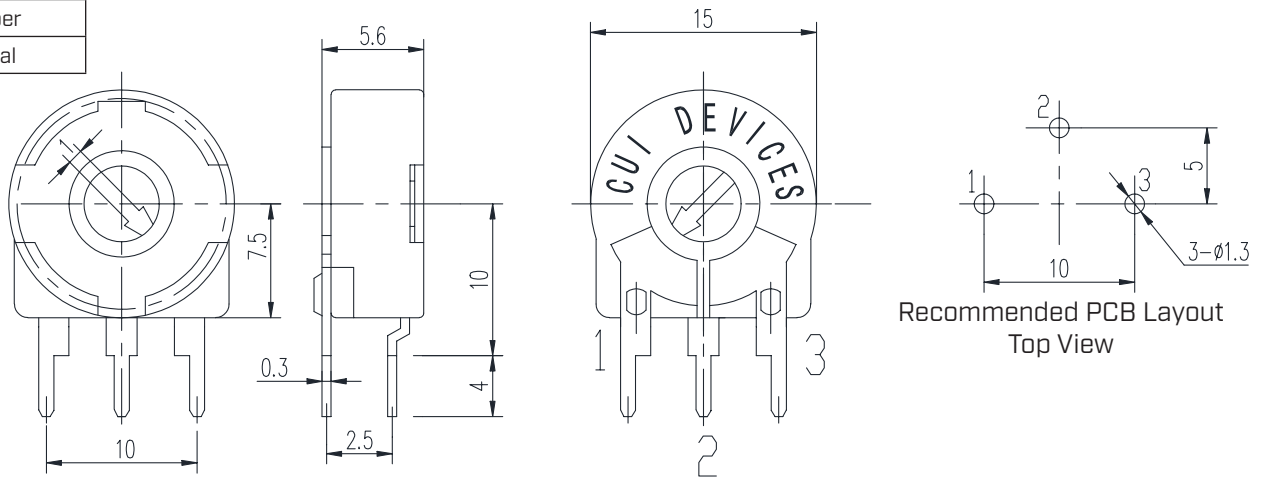


MECHANICAL DRAWING (VERTICAL, STRAIGHT INWARD TERMINALS)

units: mm
tolerance:
X≤10: ±0.3 mm
10<X≤30: ±0.5 mm
30<X≤100: ±1.0 mm
unless otherwise noted

ITEM	DESCRIPTION	MATERIAL	PLATING/COLOR
A	housing	PA6 (UL94HB)	black
B	terminals	steel	tin
C	reed	tin bronze	

TERMINAL CONNECTIONS	
TERMINAL	DESCRIPTION
1	Initial
2	Wiper
3	Final

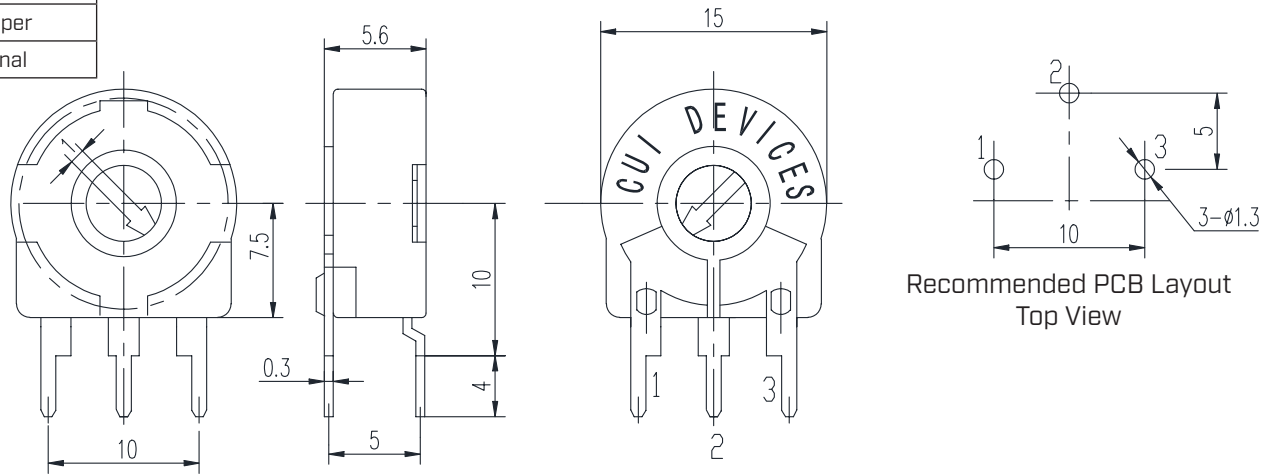


MECHANICAL DRAWING (VERTICAL, STRAIGHT OUTWARD TERMINALS)

units: mm
 tolerance:
 $X \leq 10$: ± 0.3 mm
 $10 < X \leq 30$: ± 0.5 mm
 $30 < X \leq 100$: ± 1.0 mm
 unless otherwise noted

ITEM	DESCRIPTION	MATERIAL	PLATING/COLOR
A	housing	PA6 (UL94HB)	black
B	terminals	steel	tin
C	reed	tin bronze	

TERMINAL CONNECTIONS	
TERMINAL	DESCRIPTION
1	Initial
2	Wiper
3	Final

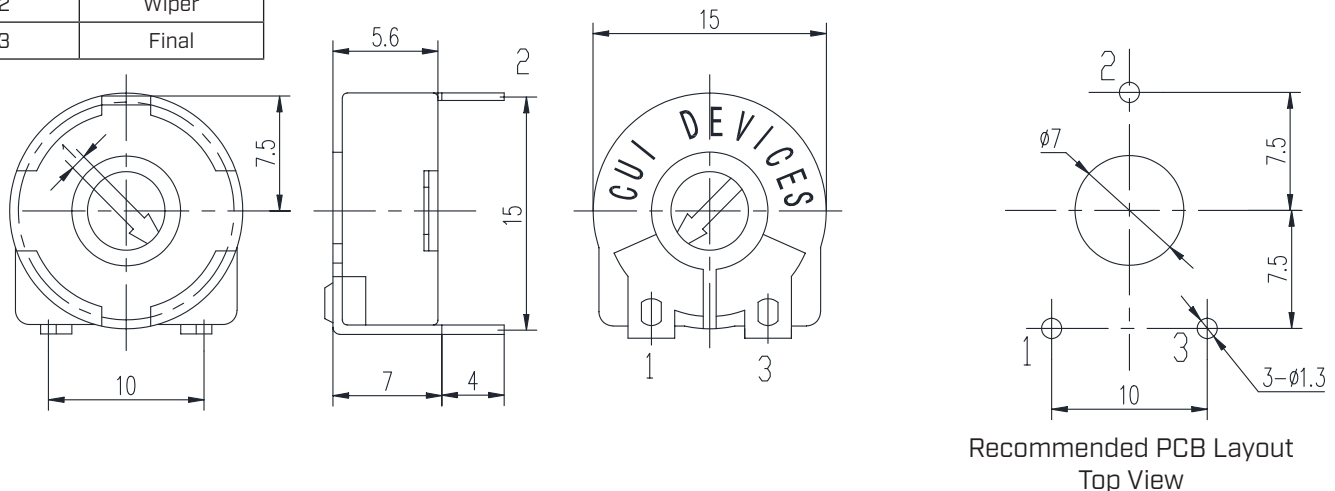


MECHANICAL DRAWING (HORIZONTAL, STRAIGHT TERMINALS)

units: mm
 tolerance:
 $X \leq 10$: ± 0.3 mm
 $10 < X \leq 30$: ± 0.5 mm
 $30 < X \leq 100$: ± 1.0 mm
 unless otherwise noted

ITEM	DESCRIPTION	MATERIAL	PLATING/COLOR
A	housing	PA6 (UL94HB)	black
B	terminals	steel	tin
C	reed	tin bronze	

TERMINAL CONNECTIONS	
TERMINAL	DESCRIPTION
1	Initial
2	Wiper
3	Final

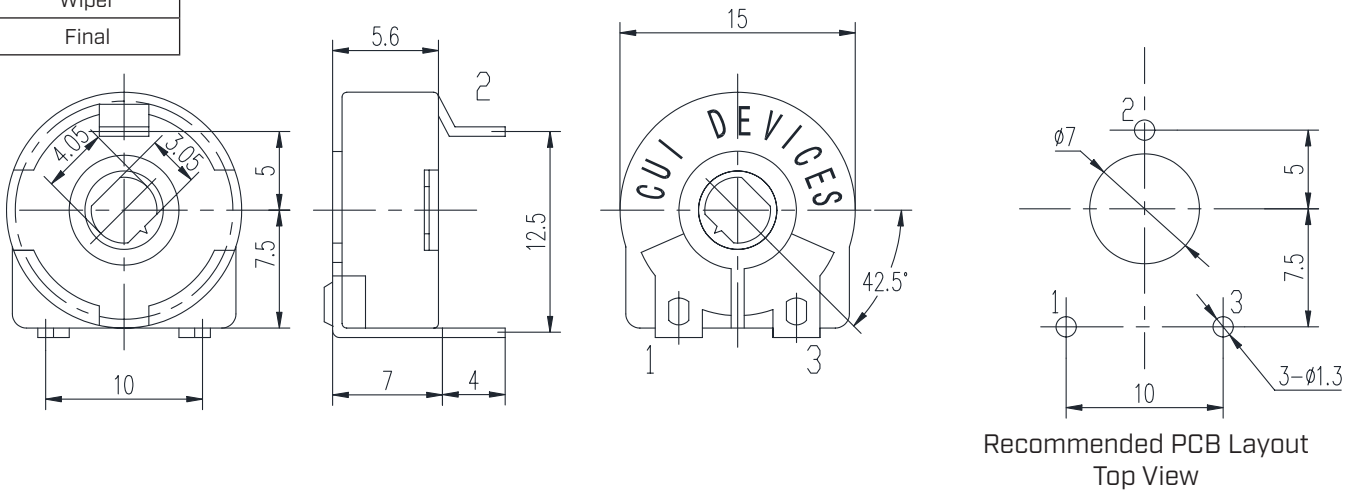


MECHANICAL DRAWING (HORIZONTAL, STRAIGHT INWARD TERMALS)

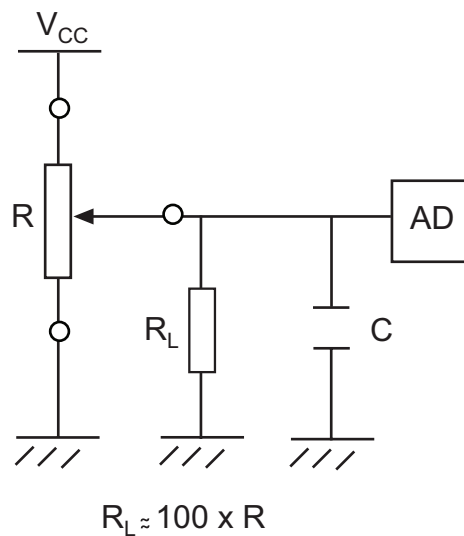
units: mm
 tolerance:
 $X \leq 10$: ± 0.3 mm
 $10 < X \leq 30$: ± 0.5 mm
 $30 < X \leq 100$: ± 1.0 mm
 unless otherwise noted

ITEM	DESCRIPTION	MATERIAL	PLATING/COLOR
A	housing	PA6 (UL94HB)	black
B	terminals	steel	tin
C	reed	tin bronze	

TERMINAL CONNECTIONS	
TERMINAL	DESCRIPTION
1	Initial
2	Wiper
3	Final



RECOMMENDED CIRCUIT



POWER DERATING CURVE

