



## SERIES: PTN15 | DESCRIPTION: ROTARY POTENTIOMETER

### FEATURES

- 15mm
- carbon element
- dust proof enclosure
- multiple rotor options
- linear, logarithmic, and reverse logarithmic tapers



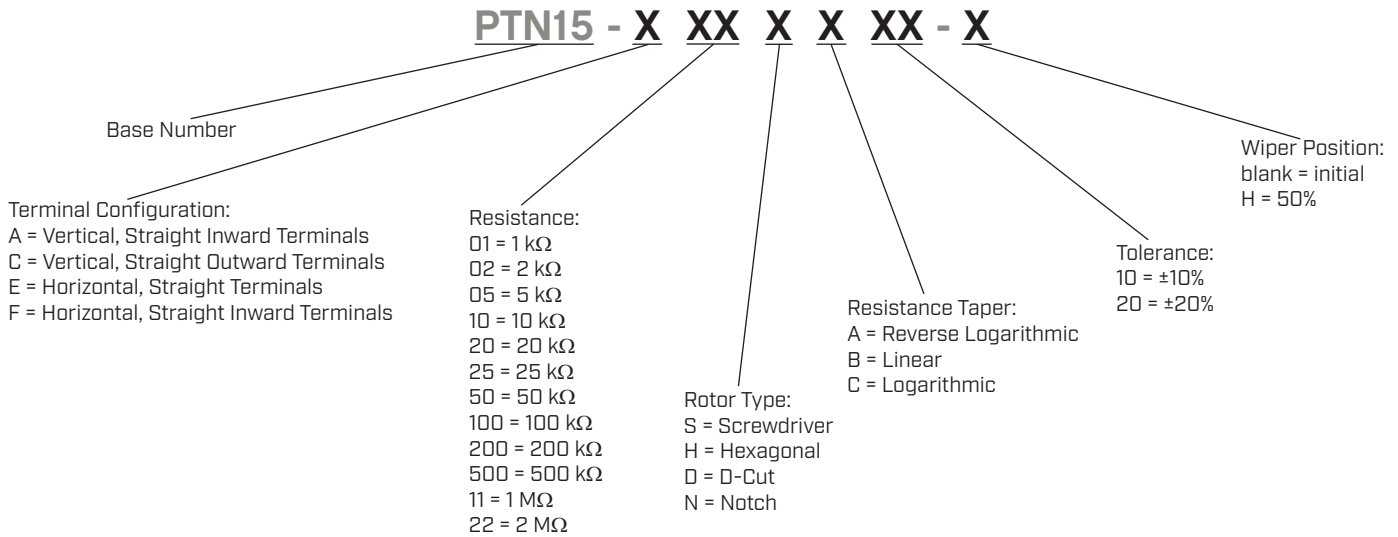
### SPECIFICATIONS

parameter	conditions/description	min	typ	max	units
maximum operating voltage				300	Vdc
power rating	at 70°C			0.2	W
taper	linear, logarithmic, and reverse logarithmic				
standard resistance range	see Resistance Table	1.0		2,000	kΩ
standard resistance tolerance	±10% or ±20%, see Part Number Key				
residual resistance				10	Ω
sliding noise				68	mV
operating temperature		-10		70	°C
hand soldering	for 3 seconds max			350	°C
wave soldering	for 5±1 seconds	255	260	265	°C
RoHS	yes				

### MECHANICAL

parameter	conditions/description	min	typ	max	units
mechanical angle		255	265	275	°
rotational torque		10		80	gf-cm
stop strength		1,000			gf-cm
rotational life				10,000	cycles
weight		1.29	1.32	1.35	g

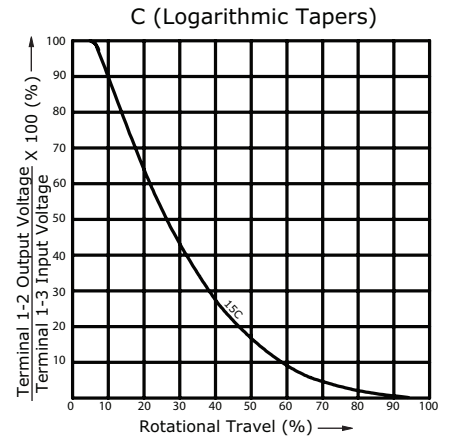
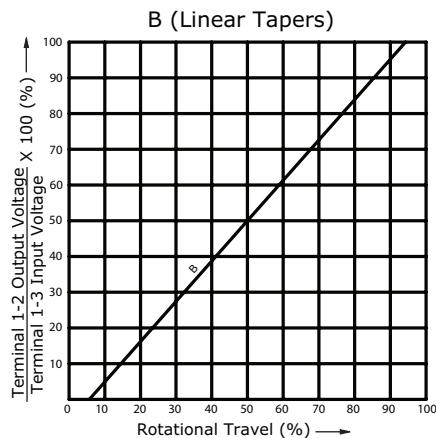
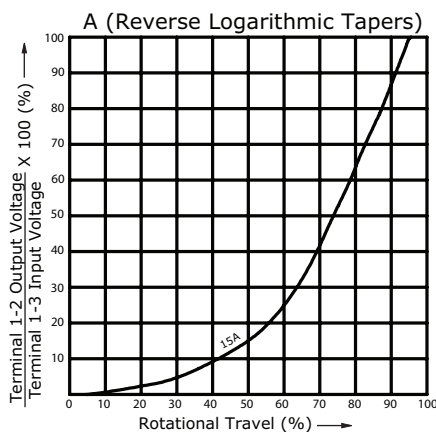
## PART NUMBER KEY



## SCHEMATIC/TAPERS

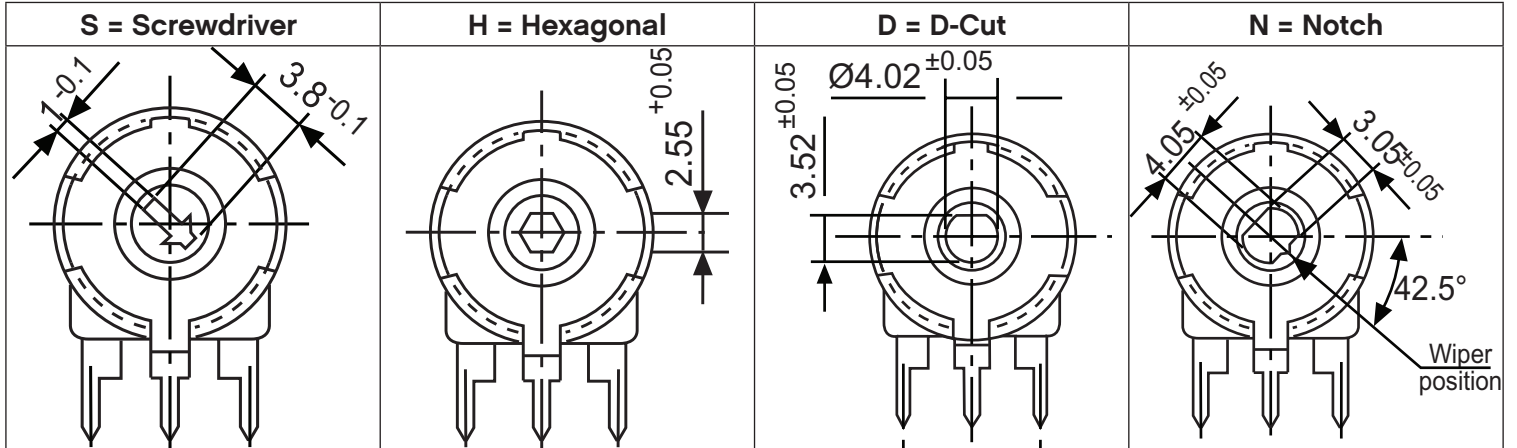


Resistance Table	
Resistance [KΩ]	Code
1	01
2	02
5	05
10	10
20	20
25	25
50	50
100	100
200	200
500	500
1,000	11
2,000	22



## ROTOR TYPE

units: mm  
 tolerance: ±0.3 mm  
 unless otherwise noted

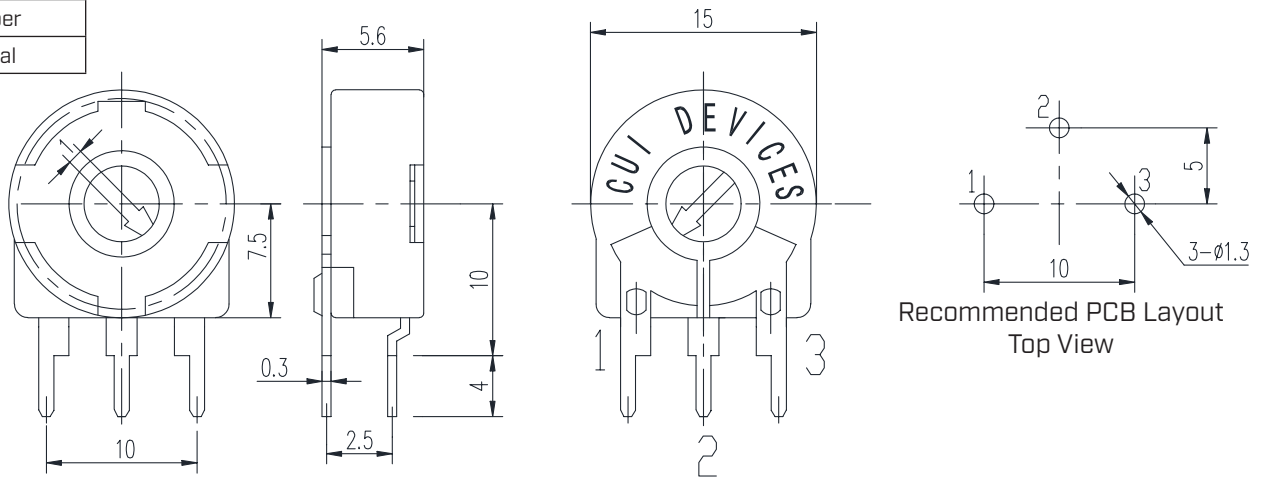


## MECHANICAL DRAWING (VERTICAL, STRAIGHT INWARD TERMINALS)

units: mm  
 tolerance:  
 X≤10: ±0.3 mm  
 10<X≤30: ±0.5 mm  
 30<X≤100: ±1.0 mm  
 unless otherwise noted

ITEM	DESCRIPTION	MATERIAL	PLATING/COLOR
A	housing	PA6 (UL94HB)	black
B	terminals	steel	tin
C	reed	tin bronze	

TERMINAL CONNECTIONS	
TERMINAL	DESCRIPTION
1	Initial
2	Wiper
3	Final

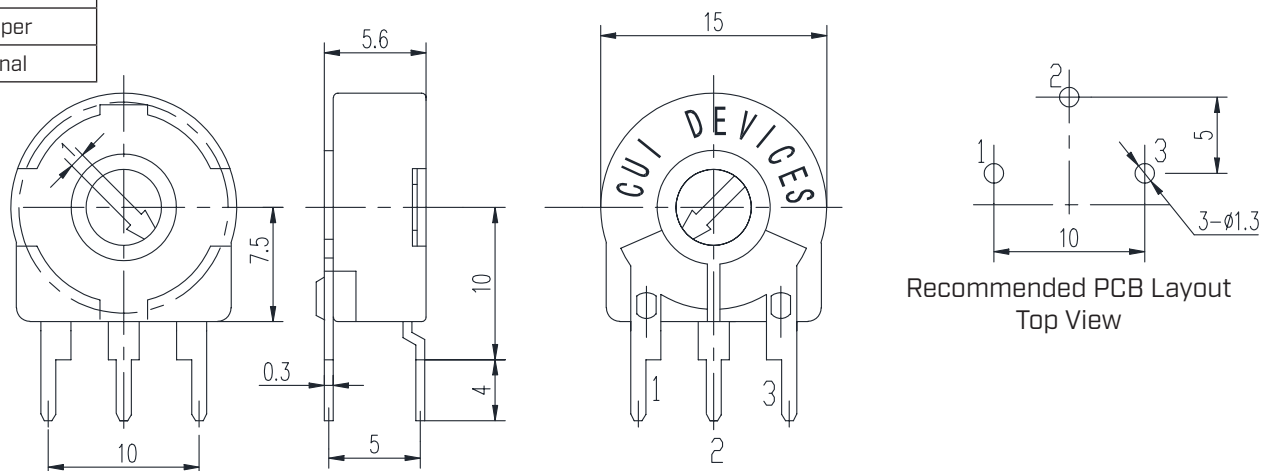


## MECHANICAL DRAWING (VERTICAL, STRAIGHT OUTWARD TERMINALS)

units: mm  
 tolerance:  
 $X \leq 10$ :  $\pm 0.3$  mm  
 $10 < X \leq 30$ :  $\pm 0.5$  mm  
 $30 < X \leq 100$ :  $\pm 1.0$  mm  
 unless otherwise noted

ITEM	DESCRIPTION	MATERIAL	PLATING/COLOR
A	housing	PA6 (UL94HB)	black
B	terminals	steel	tin
C	reed	tin bronze	

TERMINAL CONNECTIONS	
TERMINAL	DESCRIPTION
1	Initial
2	Wiper
3	Final

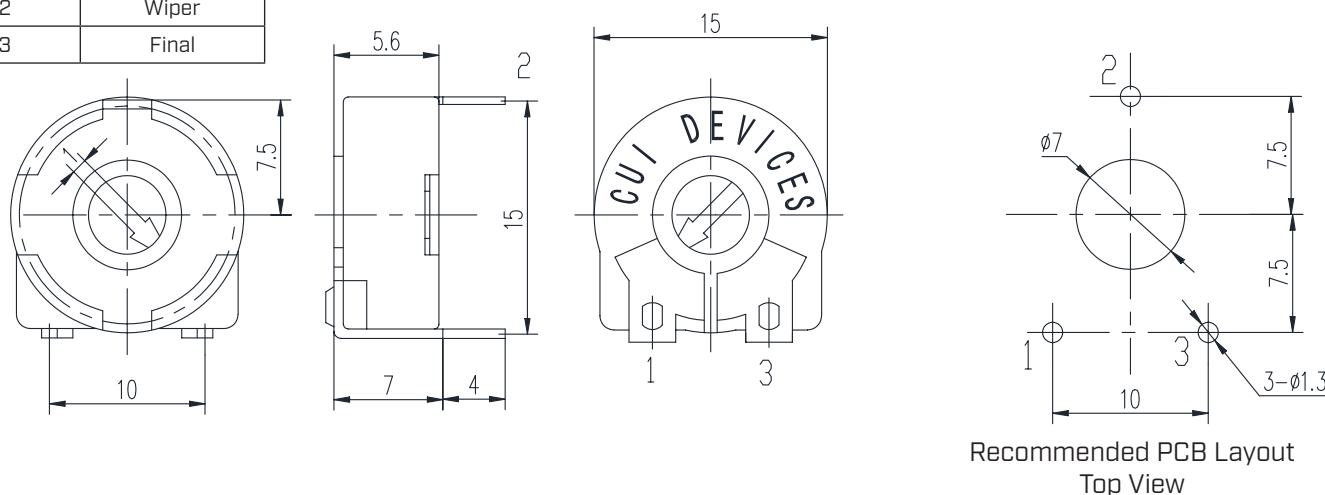


## MECHANICAL DRAWING (HORIZONTAL, STRAIGHT TERMINALS)

units: mm  
 tolerance:  
 $X \leq 10$ :  $\pm 0.3$  mm  
 $10 < X \leq 30$ :  $\pm 0.5$  mm  
 $30 < X \leq 100$ :  $\pm 1.0$  mm  
 unless otherwise noted

ITEM	DESCRIPTION	MATERIAL	PLATING/COLOR
A	housing	PA6 (UL94HB)	black
B	terminals	steel	tin
C	reed	tin bronze	

TERMINAL CONNECTIONS	
TERMINAL	DESCRIPTION
1	Initial
2	Wiper
3	Final

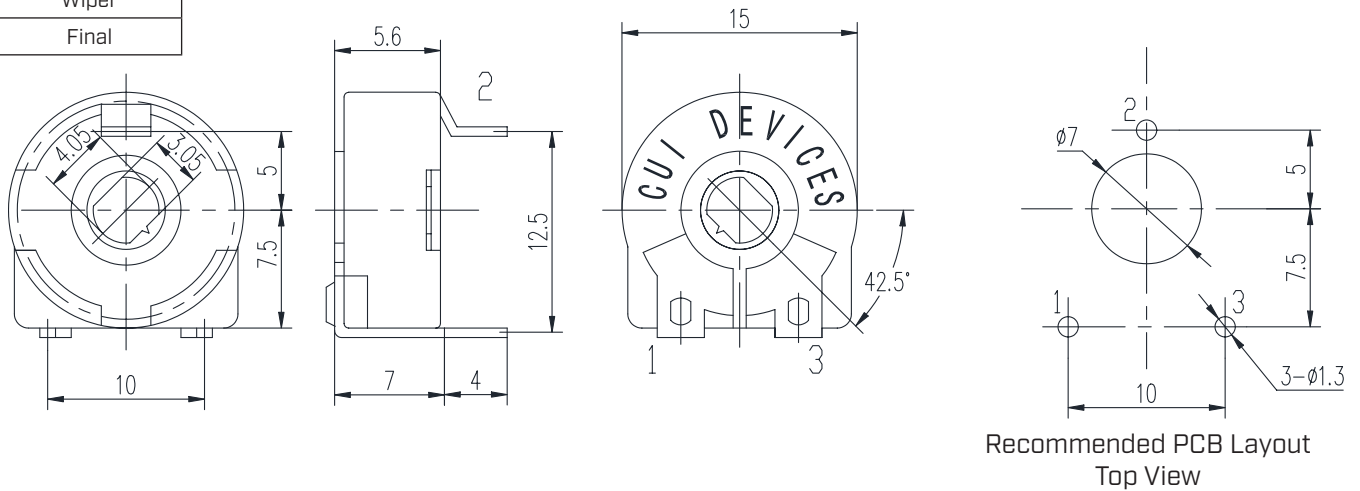


## MECHANICAL DRAWING (HORIZONTAL, STRAIGHT INWARD TERMALS)

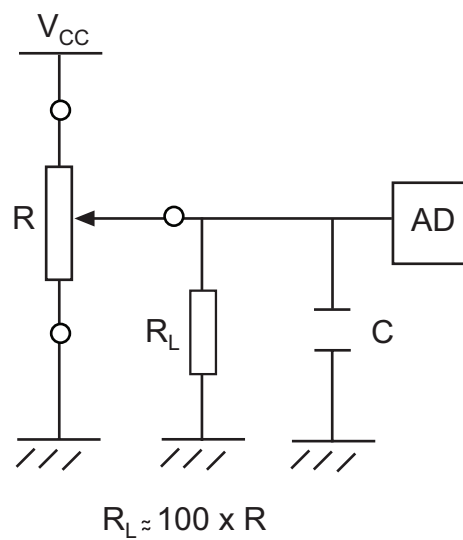
units: mm  
 tolerance:  
 $X \leq 10$ :  $\pm 0.3$  mm  
 $10 < X \leq 30$ :  $\pm 0.5$  mm  
 $30 < X \leq 100$ :  $\pm 1.0$  mm  
 unless otherwise noted

ITEM	DESCRIPTION	MATERIAL	PLATING/COLOR
A	housing	PA6 (UL94HB)	black
B	terminals	steel	tin
C	reed	tin bronze	

TERMINAL CONNECTIONS	
TERMINAL	DESCRIPTION
1	Initial
2	Wiper
3	Final



## RECOMMENDED CIRCUIT



## POWER DERATING CURVE

