

PART NAME

PTR SERIES - ABS ALL PLASTIC

PART No.

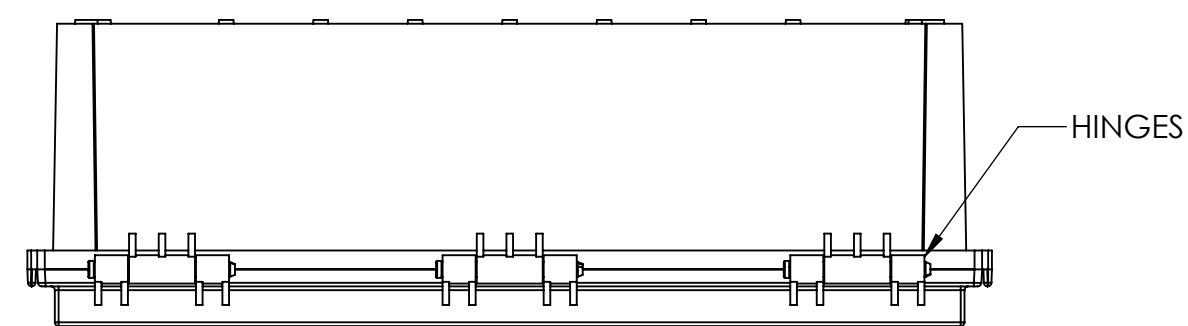
PTR-28494 & PTR-28494-C

REVISION DATE

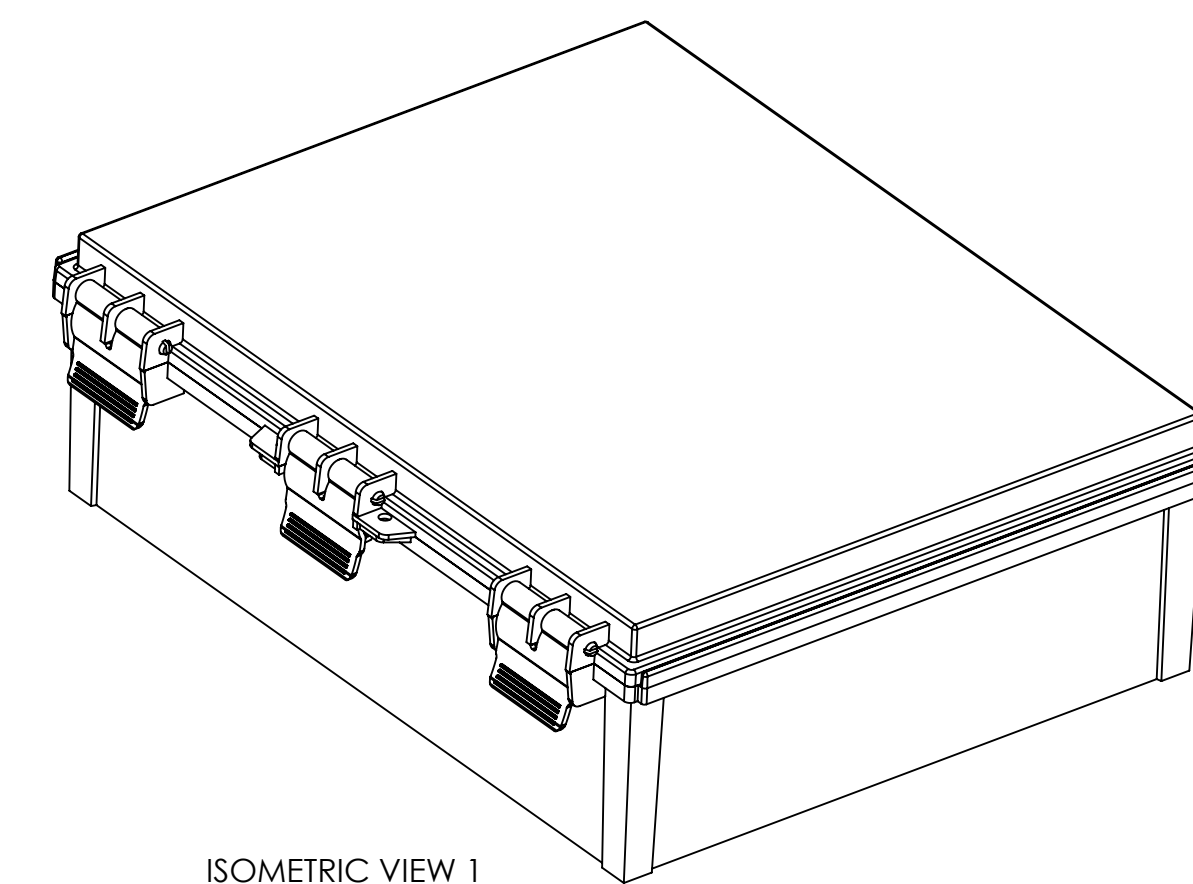
12/17/2021

NOTES:

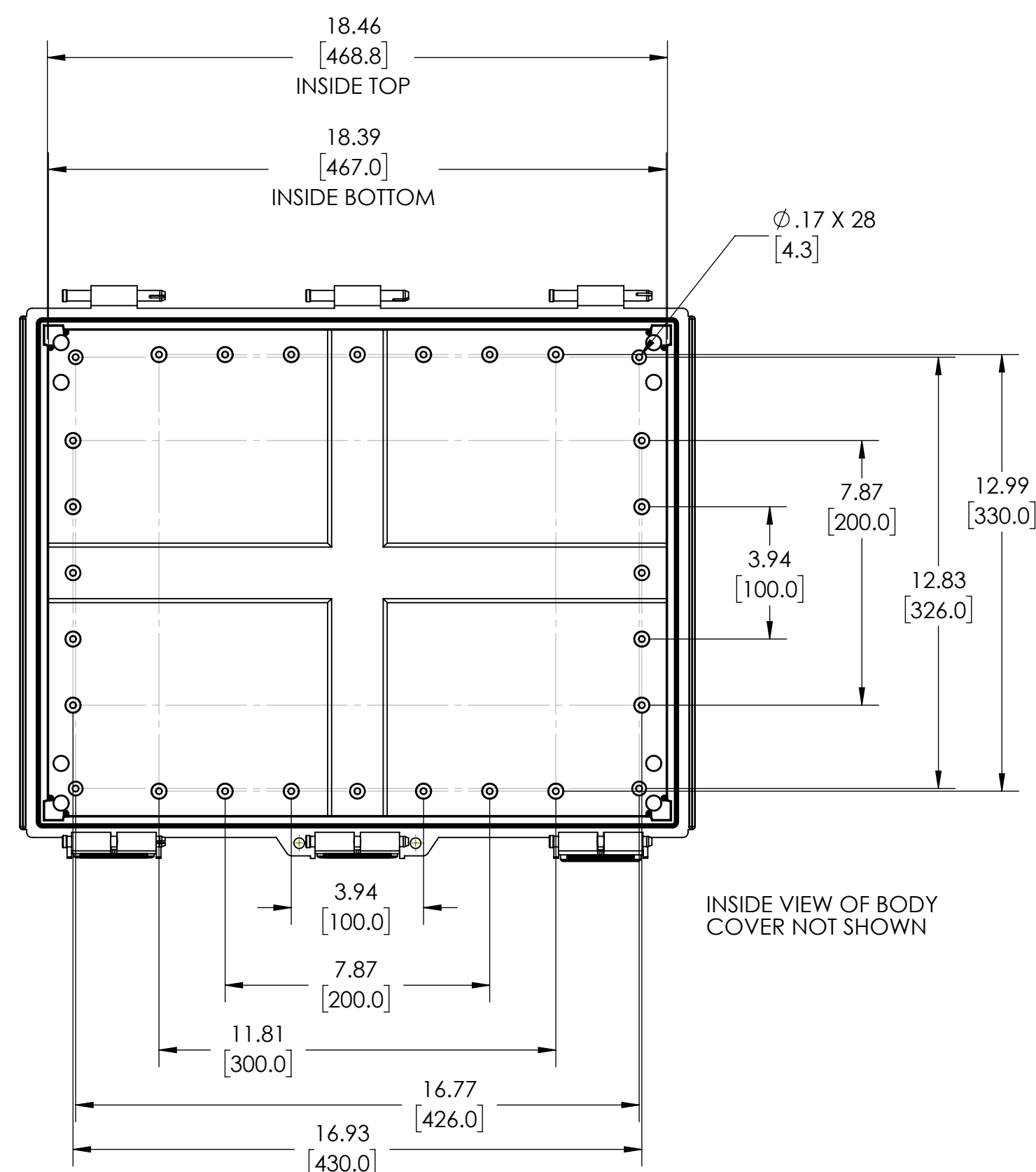
- MATERIAL:
BODY - GRAY ABS
COVER - GRAY ABS OR CLEAR (-C SUFFIX) POLYCARBONATE
- UL508 / NEMA TYPE 4X & 6P WITH IP-67 TUV RATING & UL-94 HB
- POURED CONTINUOUS GASKET
- SUPPLIED WITH PLASTIC INTERNAL PANEL - PTX-18494-P
- DIMENSIONS ARE INCH[MM]
- OPTIONAL ACCESSORIES:
16 GA INTERNAL MOUNTING PLATE OR ABS
EXTERNAL MOUNTING BRACKETS - NBX-10922, PIP-117-PMB



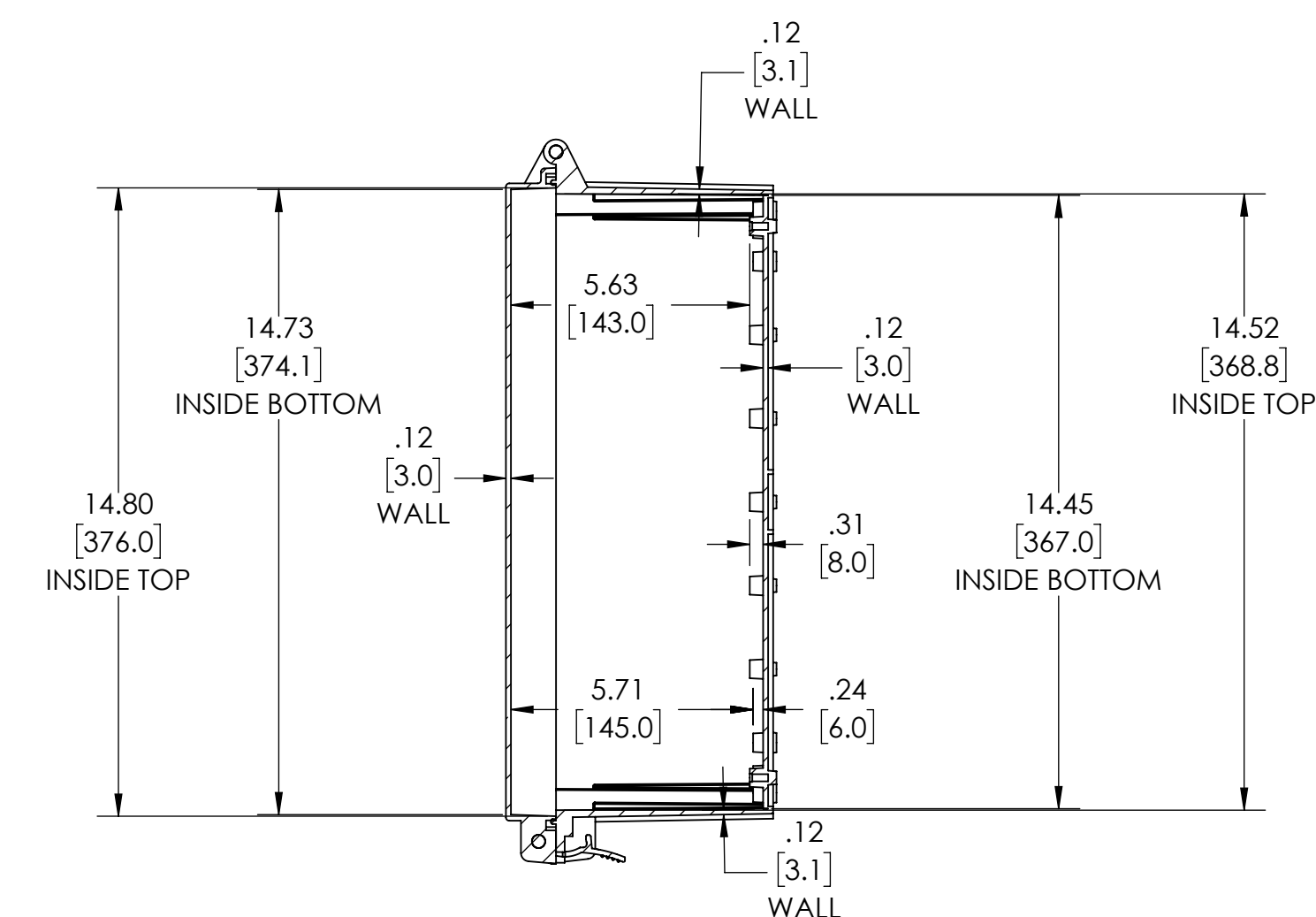
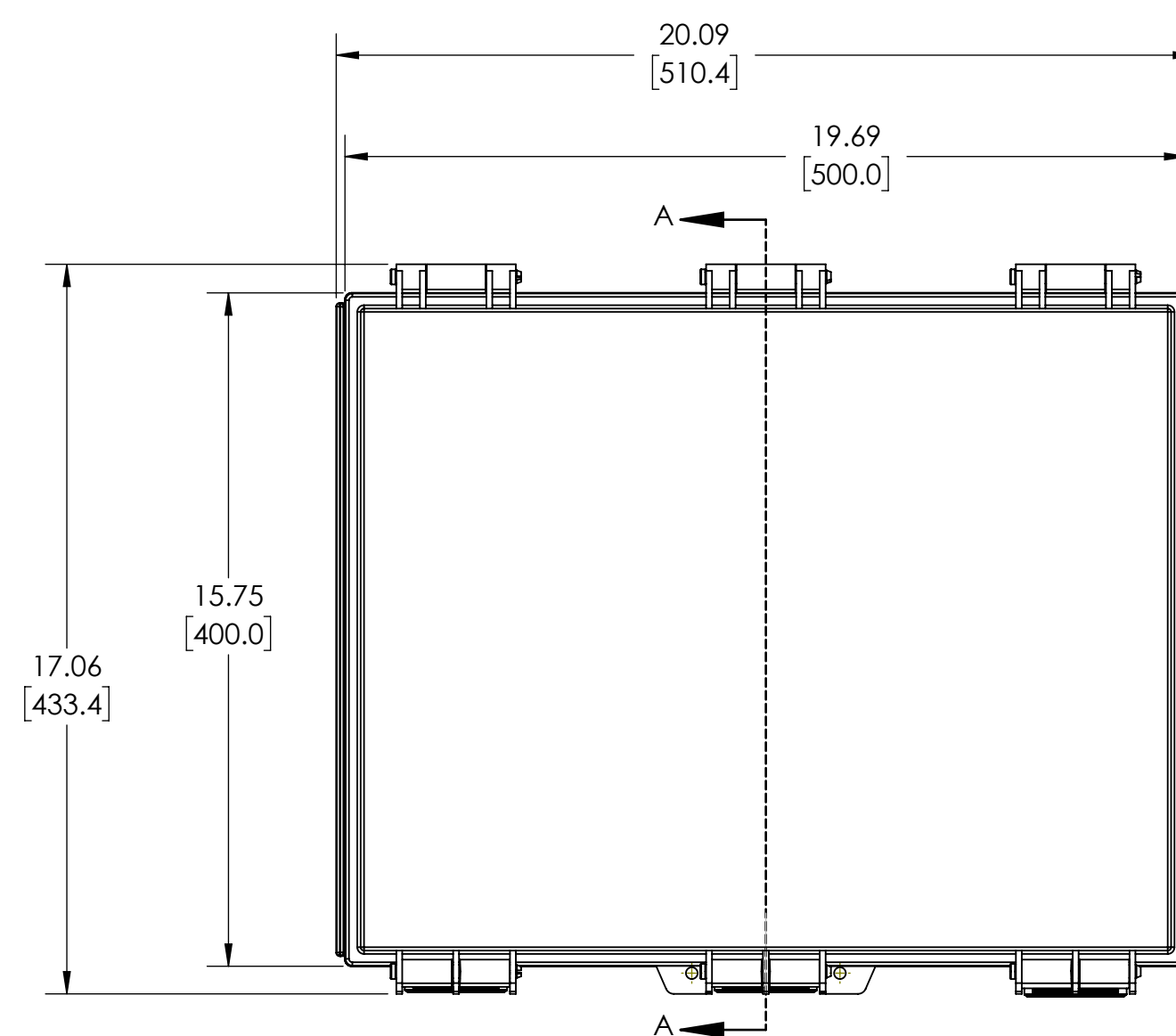
HINGES



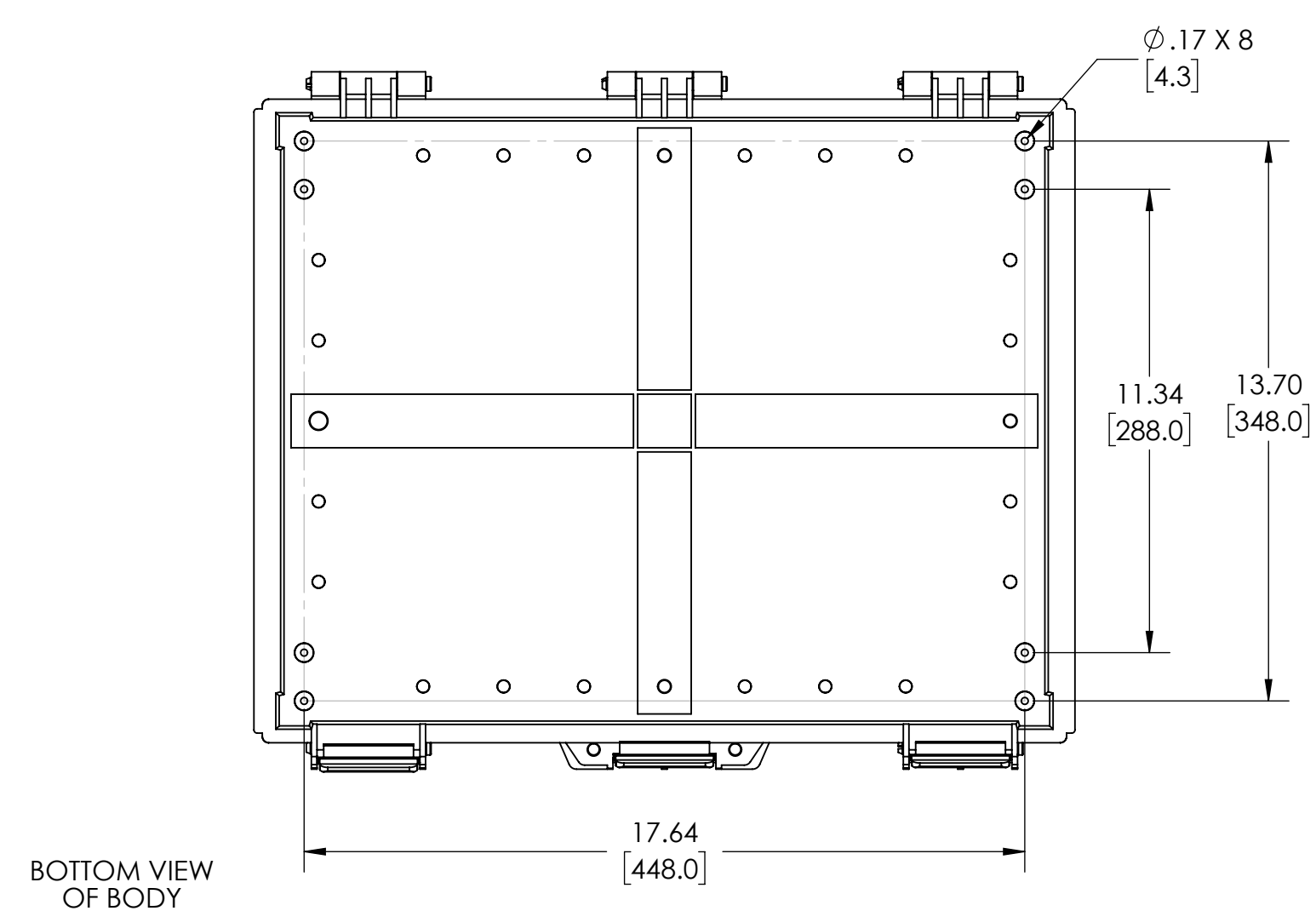
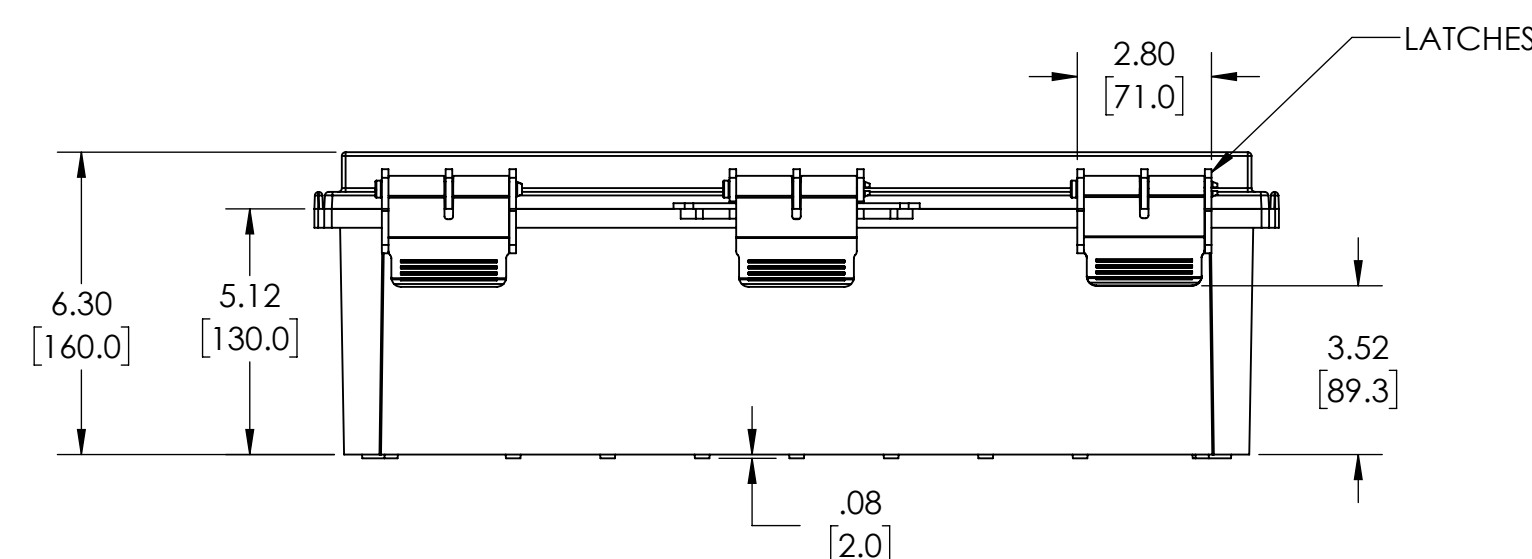
ISOMETRIC VIEW 1



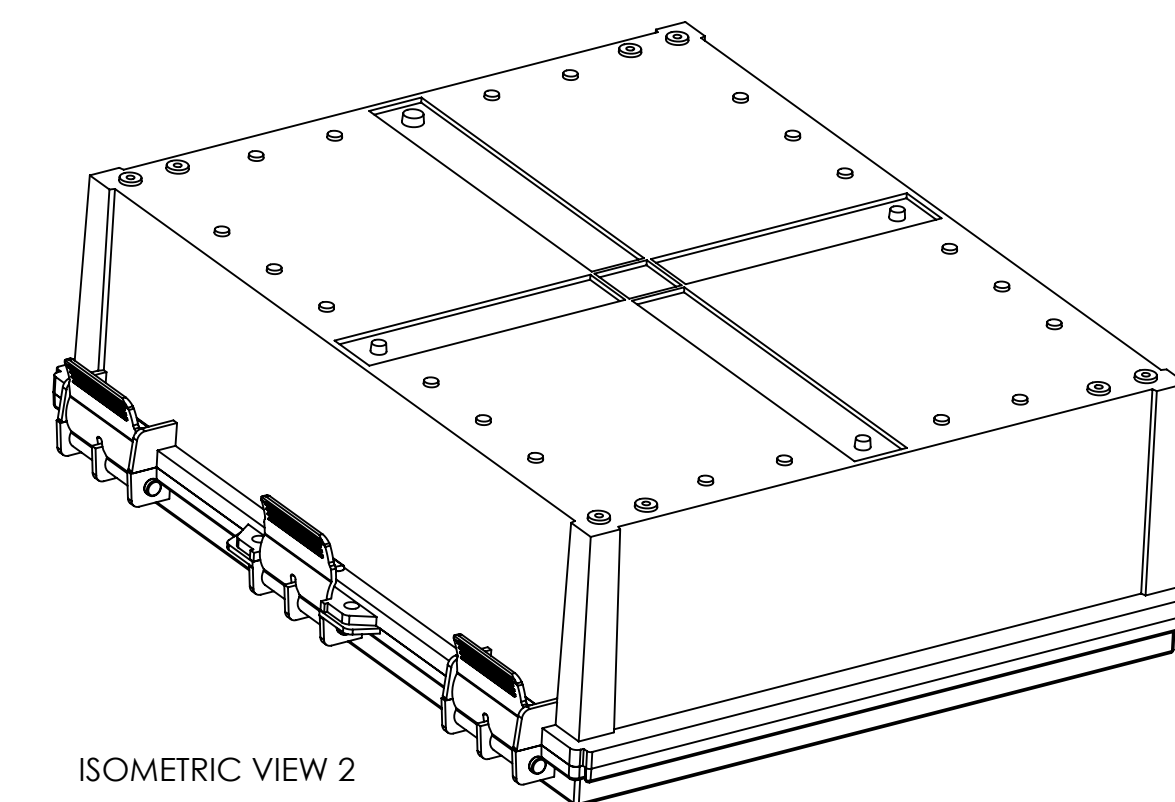
INSIDE VIEW OF BODY COVER NOT SHOWN



SECTION A-A SCALE 1 : 4



BOTTOM VIEW OF BODY



ISOMETRIC VIEW 2

DRAWING FOR REFERENCE
WE RESERVE THE RIGHT TO MAKE CHANGES TO OUR
STANDARD PRODUCTS. PLEASE CONSULT WITH BUD INDUSTRIES
PRIOR TO USING THIS DRAWING FOR DESIGN PURPOSES.