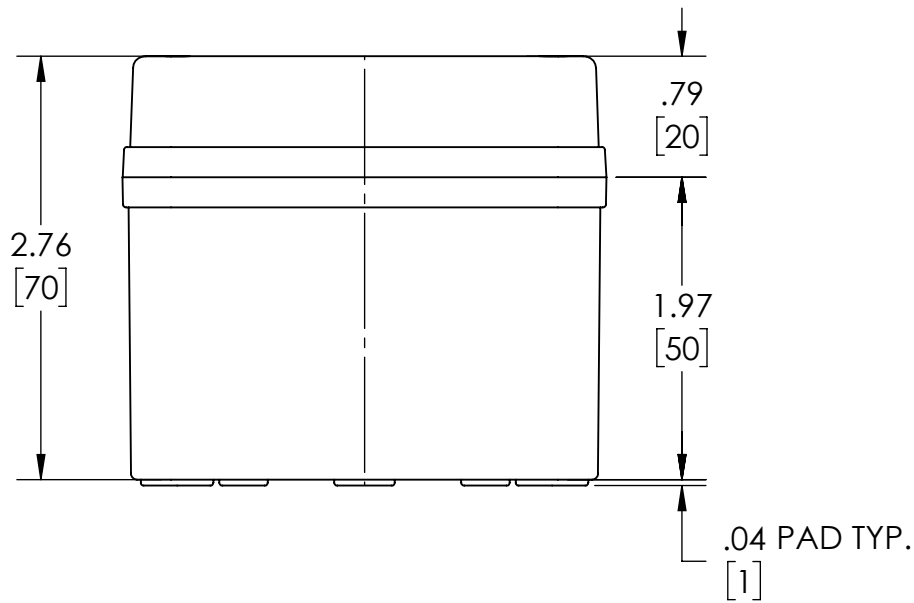
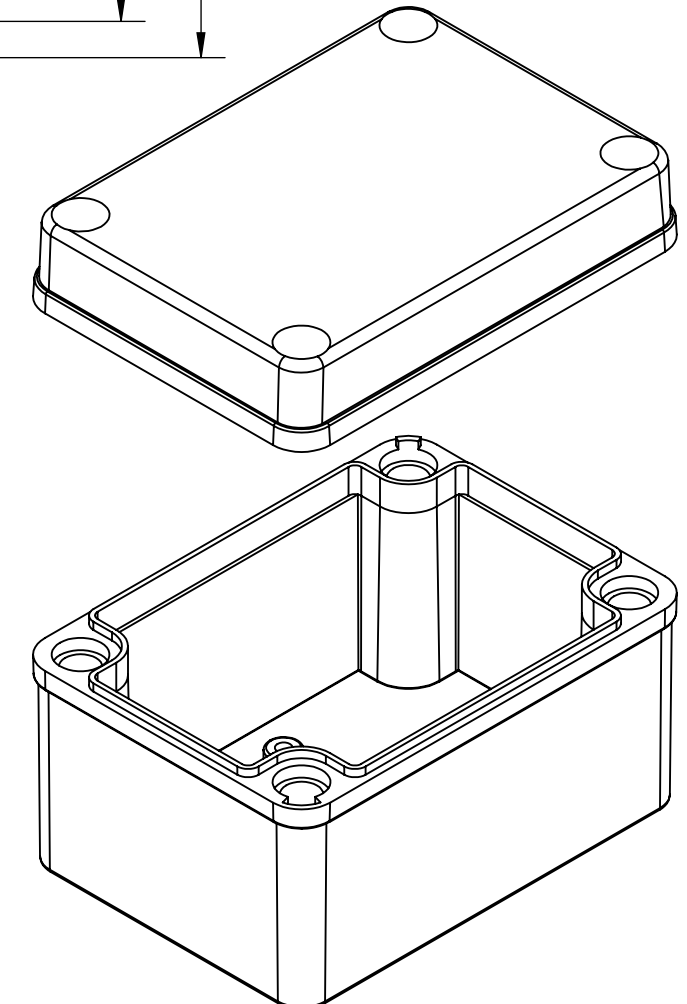
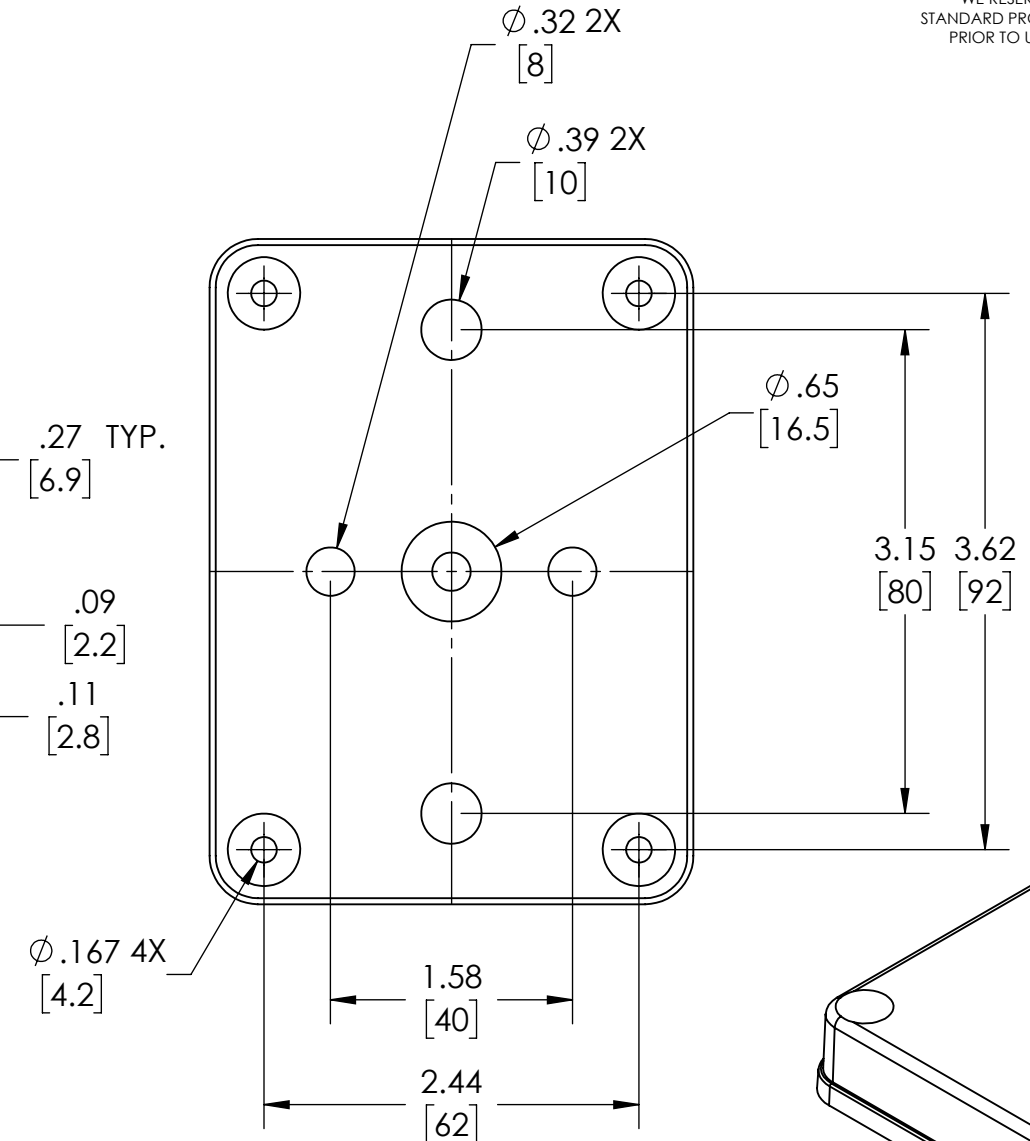
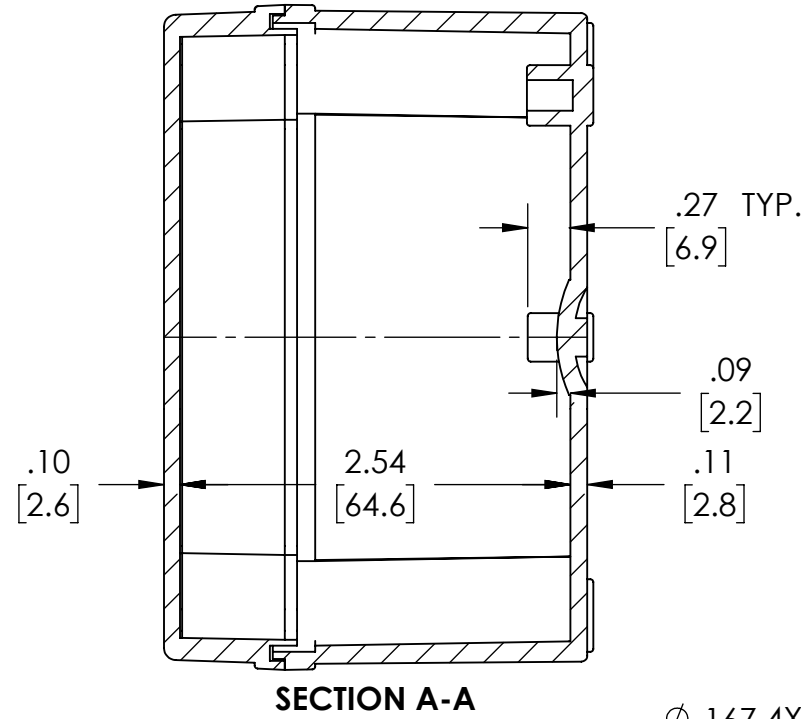
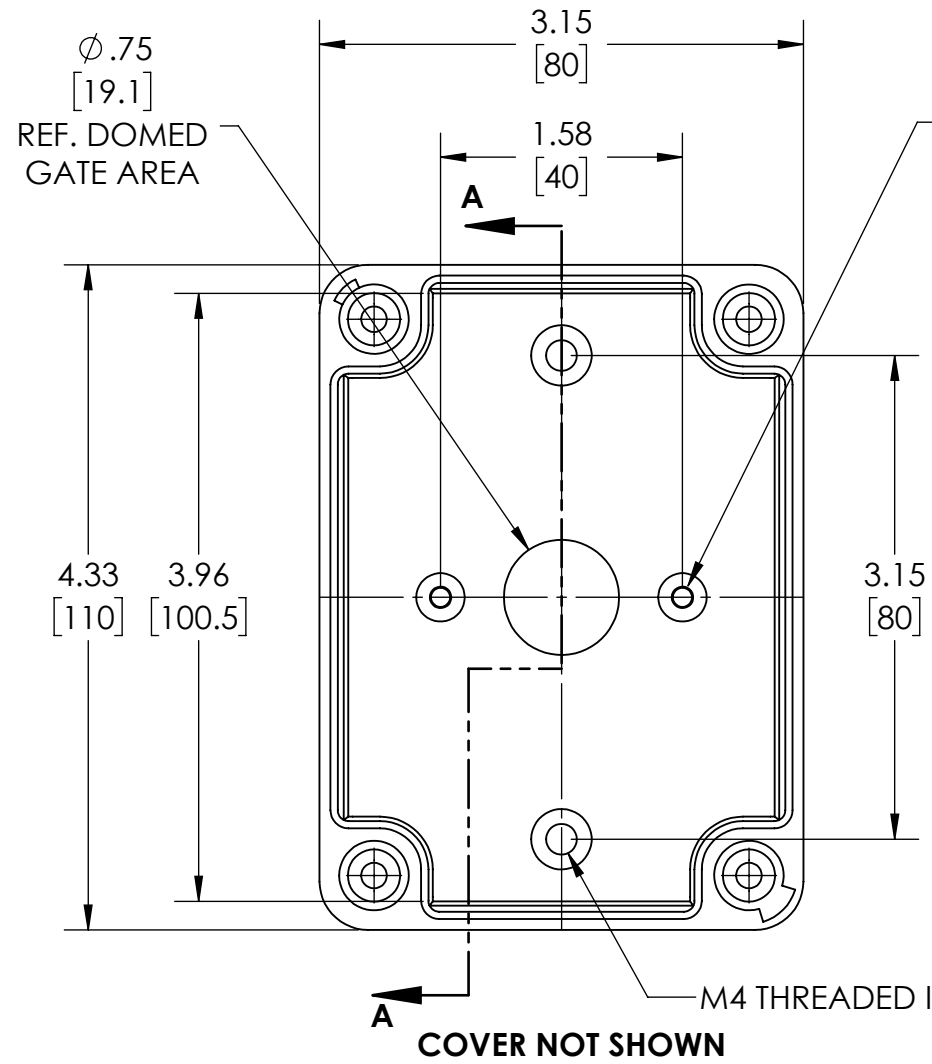


**DRAWING FOR REFERENCE**  
 WE RESERVE THE RIGHT TO MAKE CHANGES TO OUR  
 STANDARD PRODUCTS. PLEASE CONSULT WITH BUD INDUSTRIES  
 PRIOR TO USING THIS DRAWING FOR DESIGN PURPOSE.



- NOTES:
- 1- MATERIAL: BODY - POLYCARBONATE WITH 10% FIBERGLASS  
COVER - POLYCARBONATE
  - 2- COLOR: NO SUFFIX - GRAY BODY & GRAY COVER  
(-C) SUFFIX - GRAY BODY & CLEAR COVER
  - 3- COVER ATTACHES WITH NON-METALLIC CAPTIVE SCREWS  
1.4" [36.5mm] LENGTH (ITEMS NOT SHOWN)  
GASKET IS INSTALLED IN COVER
  - 4- SUPPLIED WITH TWO M4 x 8mm LG. PAN HEAD SCREWS  
(ITEMS NOT SHOWN)
  - 5- DIMENSIONS ARE INCH [MM]
- OPTIONAL ACCESSORIES:  
 STEEL INTERNAL PANEL #PTX-25308  
 PLASTIC INTERNAL PANEL #PTX-25308-P  
 STEEL EXTERNAL BRACKET #NBX-10922  
 PLASTIC EXTERNAL BRACKET #PIX-4117