



PART NAME

NEMA 4X PLASTIC BOX (PTS SERIES)

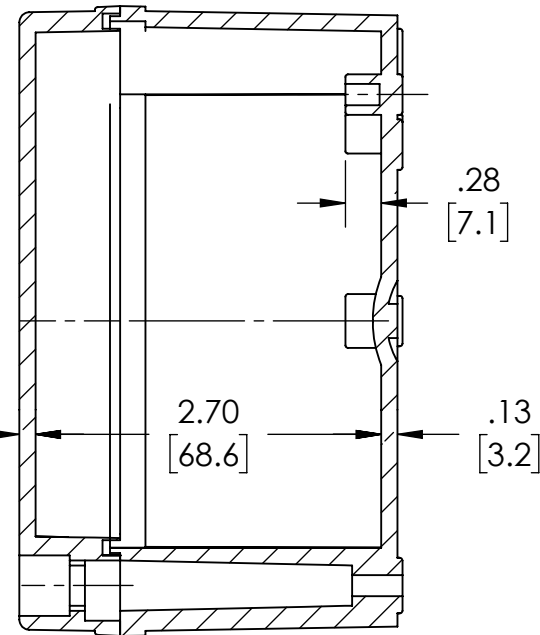
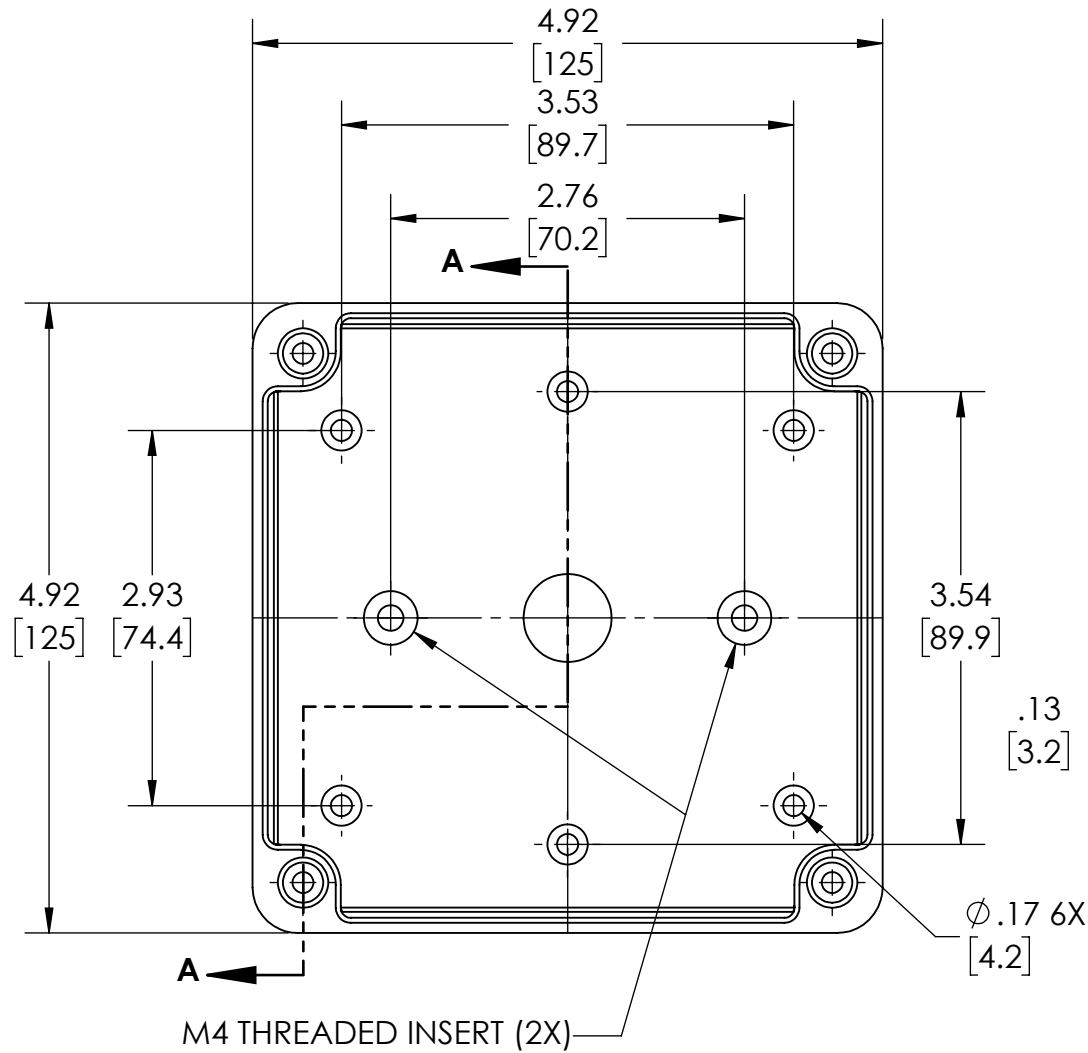
PART No.

PTS-25310 & PTS-25310-C

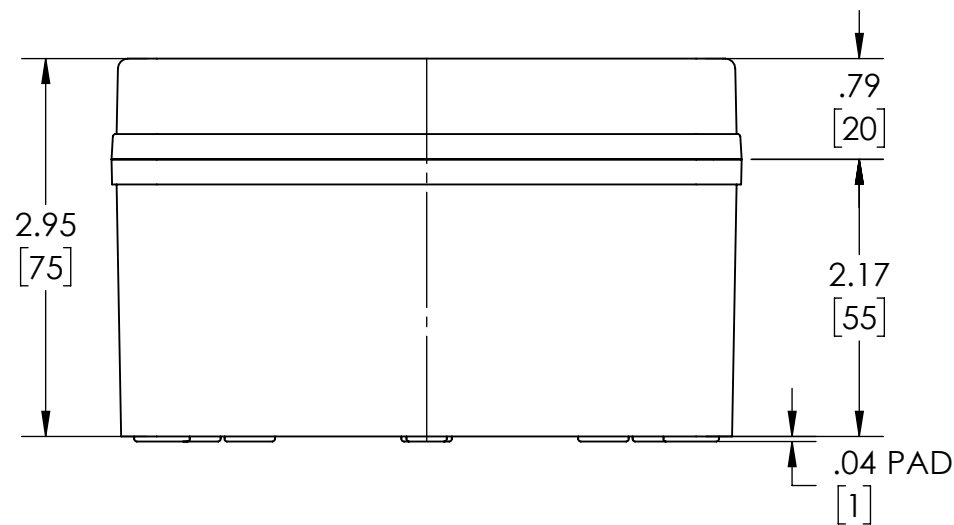
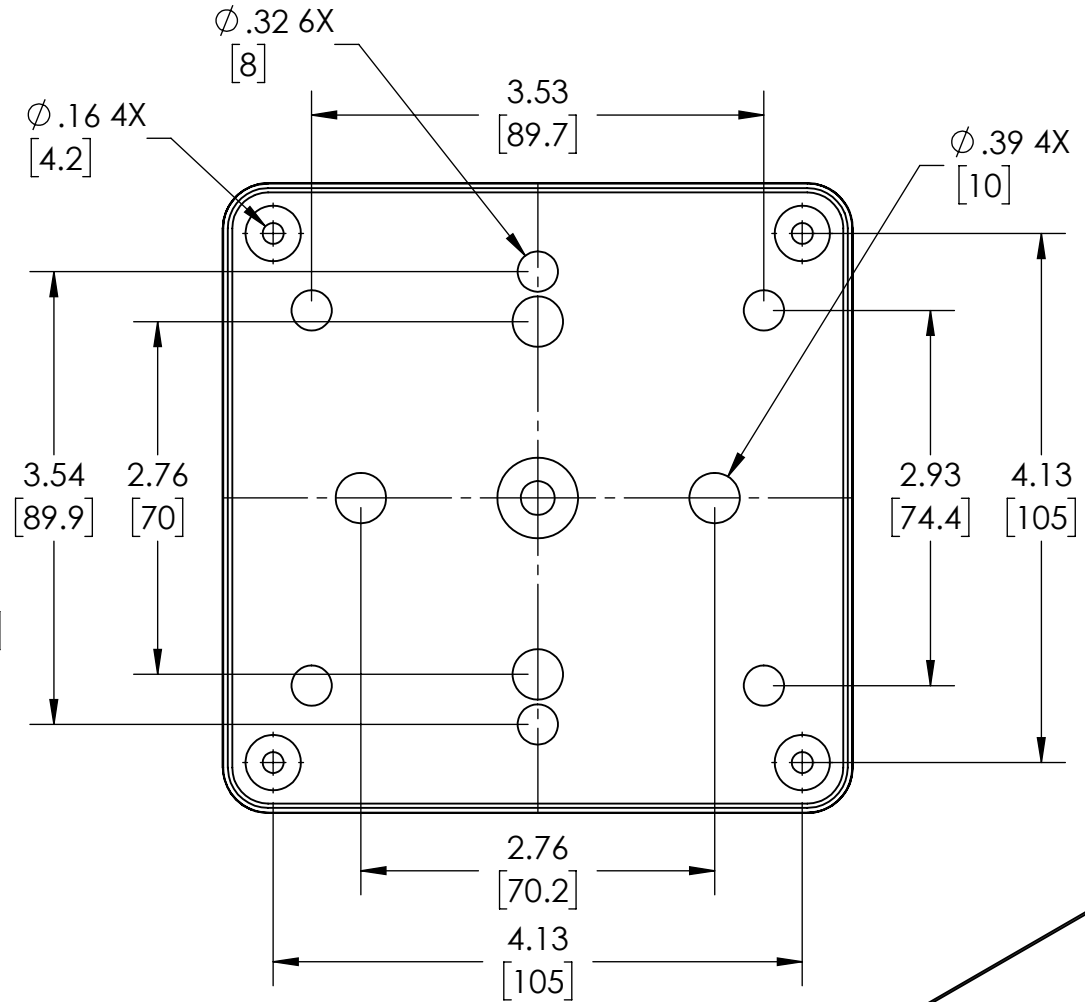
REVISION DATE

5-2-16

**DRAWING FOR REFERENCE**  
WE RESERVE THE RIGHT TO MAKE CHANGES TO OUR STANDARD PRODUCTS. PLEASE CONSULT WITH BUD INDUSTRIES PRIOR TO USING THIS DRAWING FOR DESIGN PURPOSE.



SECTION A-A



NOTES:

- 1- MATERIAL: BODY - GRAY POLYCARBONATE RESIN 10% GLASS FIBER FILLED  
COVER - GRAY OR CLEAR (-C SUFFIX) POLYCARBONATE
- 2- UL508 / NEMA TYPE 4X WITH IP-67 TUV RATING & UL-94V0
- 3- CONTINUOUS Poured FOAM GASKET IN COVER
- 4- COVER ATTACHES WITH NON-METALLIC CAPTIVE SCREWS (ITEMS NOT SHOWN)
- 5- SUPPLIED WITH TWO M4 x 8mm LG. PAN HEAD ZINC PLATED STEEL SCREWS (ITEMS NOT SHOWN)
- 6- DIMENSIONS ARE INCH [MM]

OPTIONAL ACCESSORIES:

- STEEL INTERNAL PANEL #PTX-25310
- PLASTIC INTERNAL PANEL #PTX-25310-P
- MOUNTING BRACKET KIT (STAINLESS STEEL) #NBX-10922
- MOUNTING BRACKET KIT (PLASTIC) #PIX-4117

