

PART
NAME

NEMA 4X PLASTIC BOX (PTS SERIES)

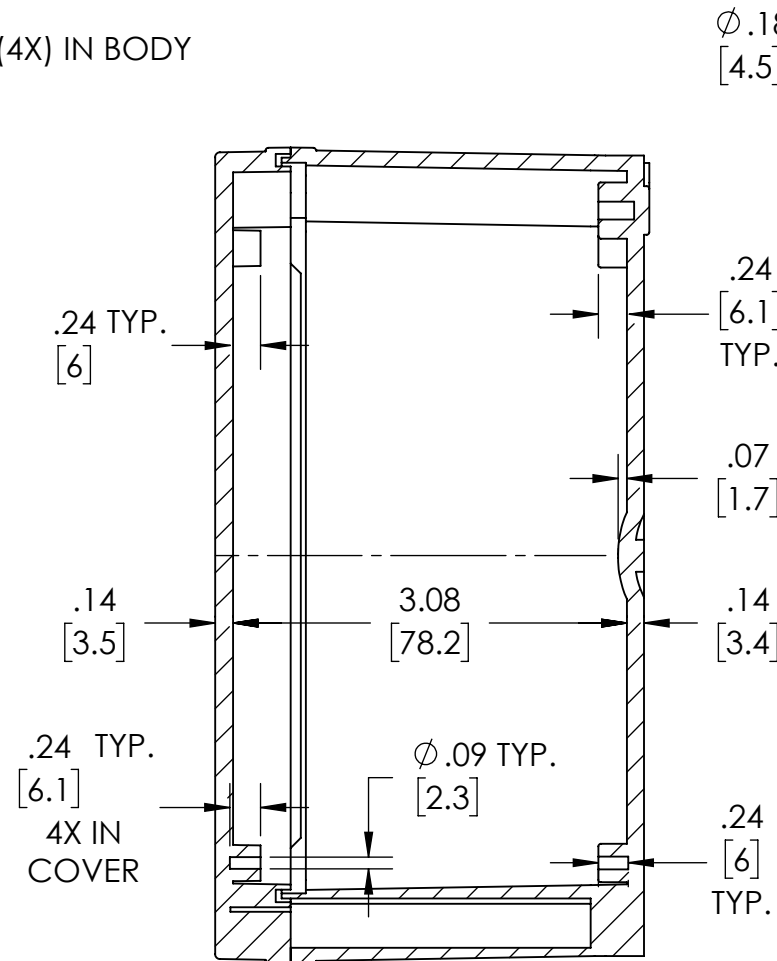
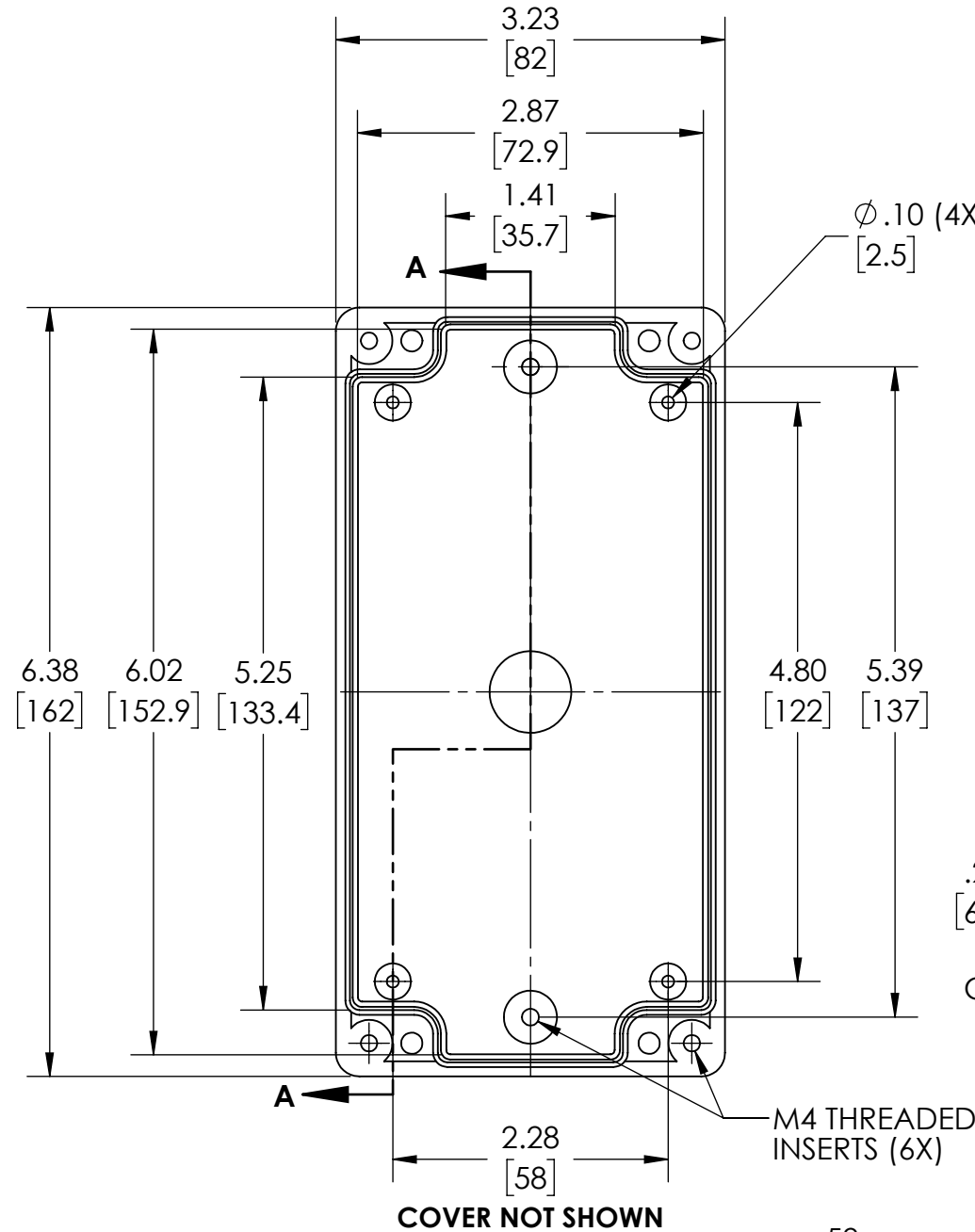
PART
No.

PTS-25317 & PTS-25317-C

REVISION
DATE

5-2-16

DRAWING FOR REFERENCE
WE RESERVE THE RIGHT TO MAKE CHANGES TO OUR
STANDARD PRODUCTS. PLEASE CONSULT WITH BUD INDUSTRIES
PRIOR TO USING THIS DRAWING FOR DESIGN PURPOSE.



SECTION A-A

NOTES:

1- MATERIAL: BODY - GRAY POLYCARBONATE RESIN 10% GLASS FIBER FILLED
COVER - GRAY OR CLEAR (-C SUFFIX) POLYCARBONATE

2- UL508 / NEMA TYPE 4X WITH IP-67 TUV RATING & UL-94V0

3- CONTINUOUS Poured FOAM GASKET IN COVER

4- COVER ATTACHES WITH M4 x 16mm LG. PAN HEAD STAINLESS
STEEL SCREWS (ITEMS NOT SHOWN)

5- SUPPLIED WITH TWO M4 x 8mm LG. TRUSS HEAD ZINC PLATED
STEEL SCREWS (ITEMS NOT SHOWN)

6- DIMENSIONS ARE INCH [MM]

OPTIONAL ACCESSORIES:

INTERNAL STEEL PANEL #PTX-25317

INTERNAL PLASTIC PANEL #PTX-25317-P

MOUNTING BRACKET KIT (STAINLESS STEEL) #NBX-10922

MOUNTING BRACKET KIT (PLASTIC) #PIX-4117

